



Illustrated Parts & Packing List & Assembly Instructions

815 Rice Lake Street, Owatonna, MN 55060

Phone: 800-443-2476 / 507-451-5430

www.gandy.net / Email: sales@gandy.net

09PDMS

Multi-Purpose Poly Stainless MP⁺³ Applicator 2.3 Cu Ft (100 Lb. Capacity) Open Housing 4-outlet

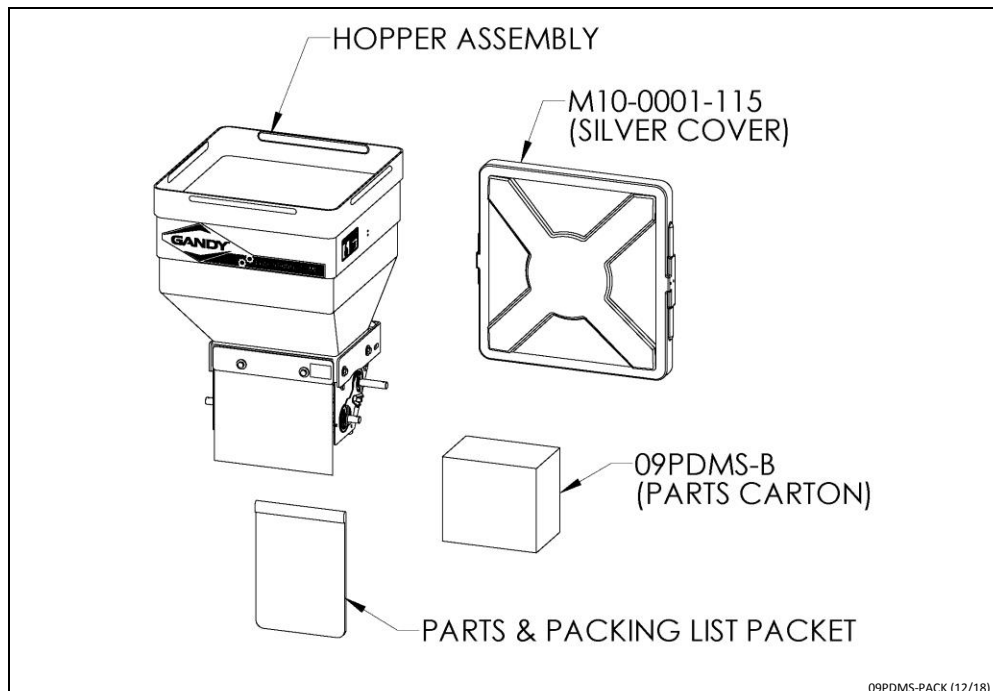
Shipped w/ Chemical (C) Black, Fertilizer (F) Red Wheels
& High Volume (V) Yellow Wheels

Can be Configured for 1, 2, 3 or 4-outlets

**This unit is shipped without metering cups or wheels in place.
See operator's manual for assembly instructions.**

One carton Containing:

- 1 100LB Multi-Purpose Hopper
- 1 M10-0001-115 Cover Poly Hopper (Silver in Color)
- 1 09PDMS-B Parts Carton
- 1 Parts & Packing List Packet



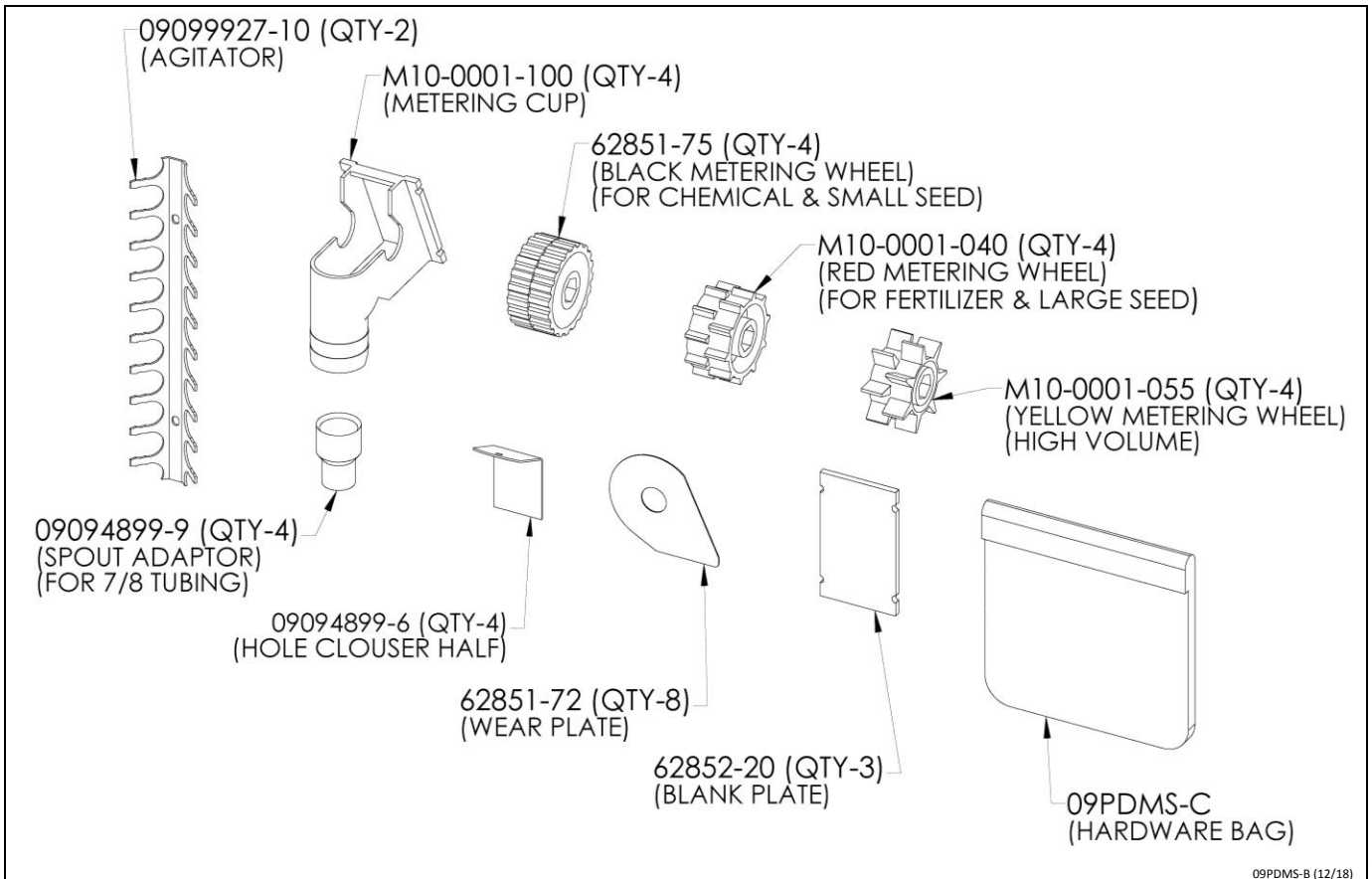
09PDMS-PACK (12/18)

09PDMS-BParts Carton Contain the following: (See next page.)

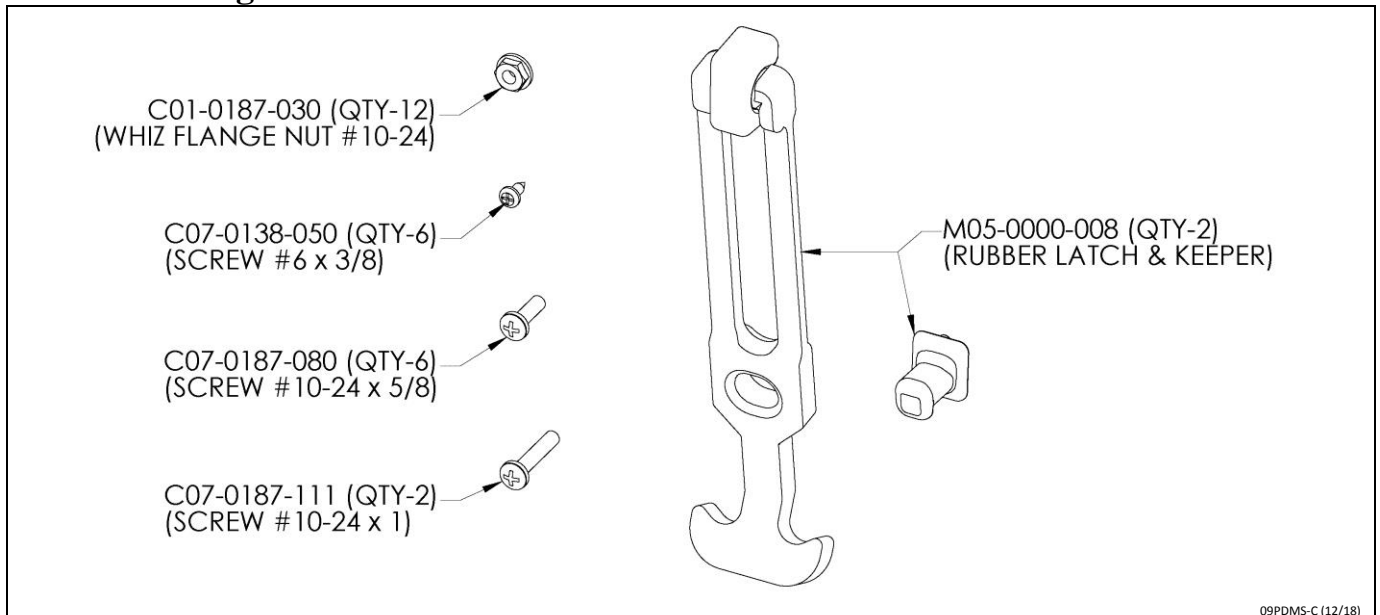
- 4..... 09094899-6.....Hole Closure Half, PDM (Use w/ Black Wheels Only)
- 4..... 09094899-9.....Spout Adaptor for 7/8 I.D. Tubing (Use w/ Black Wheels Only)
- 2..... 09099927-10.....Agitator (Use Only if Needed)
- 8..... 62851-72.....Wear Plate, Stainless (Use Two per Metering Wheel)
- 4..... 62851-75.....Metering Wheel, Chemical (C) (Black in Color) w/ Inserts
- 3..... 62852-20.....Blank Plate
- 4..... M10-0001-040.....Metering Wheel, Fertilizer (F) (Red in Color)
- 4..... M10-0001-055.....Metering Wheel, High Volume (Yellow in Color)
- 4..... M10-0001-100.....Metering Cup, 1-1/4

- 1..... **09PDMS-C**Hardware Bag Containing the Following: (Shipped in 09PDMS-B)
 - 12 C01-0187-030.....Whiz Flange Nut (3/16)
 - 6 C07-0138-050.....Tapping Screw (#6 x 3/8) (C07-0138-050)
 - 6 C07-0187-080.....Pan Head Stainless Screw (#10-24 x 5/8)
 - 2 C07-0187-111.....Pan Head Stainless Screw (#10-24 x 1)
 - 2 M05-0000-008.....Rubber Latch & Keeper

Parts Carton 09PDMS-B Contents



Hardware Bag 09PDMS-C Contents



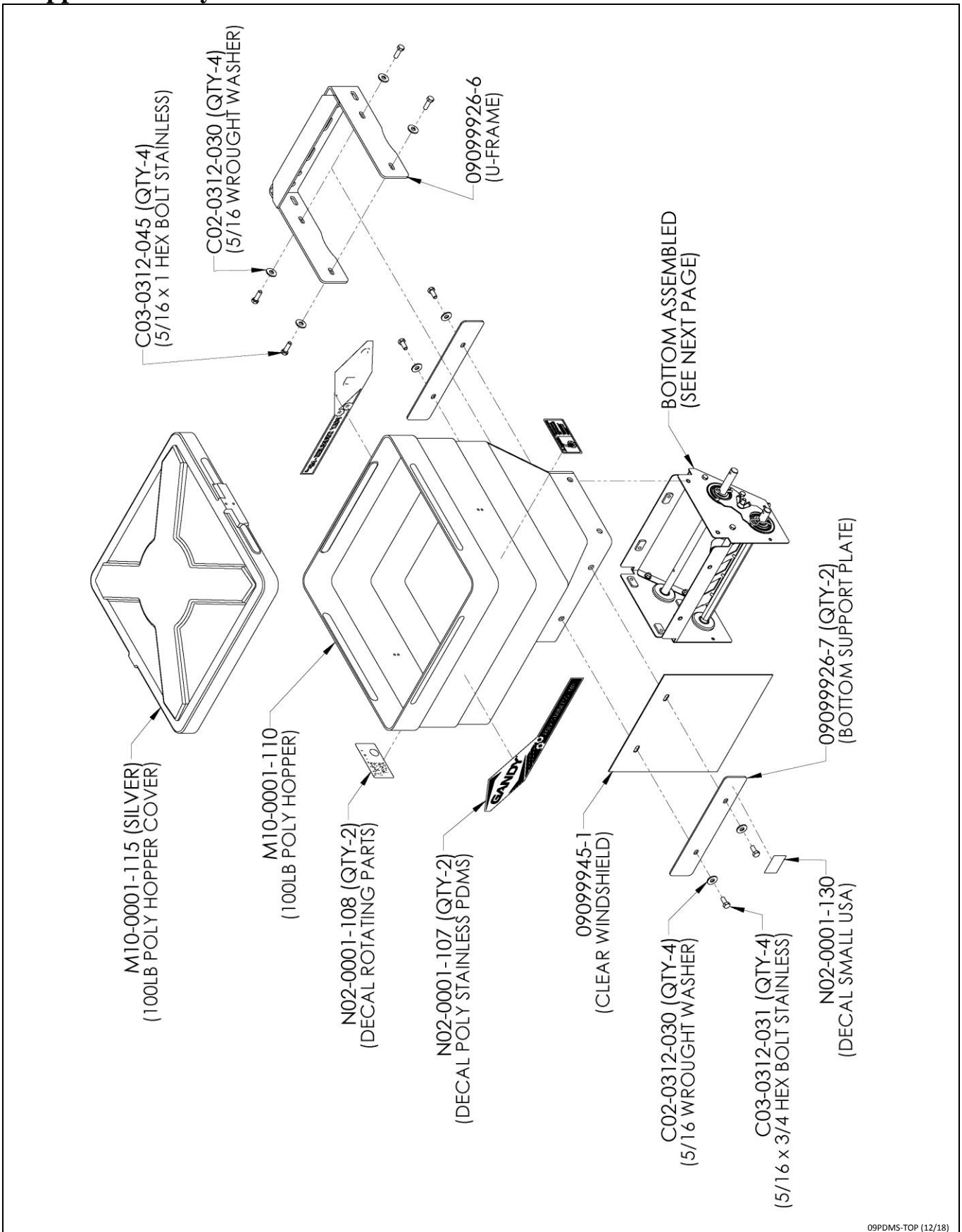
Complete Parts Break Down:

1	M10-0001-110	Hopper Body Polyethylene, 2.3 Cu. Ft. Capacity (100 Lb. Capacity)
		Use: 2 Decal, Poly PDMS (N02-0001-107)
		2 Decal, Rotating Parts Inside (N02-0001-108)
		1 Decal, Made in the USA (Small 1-1/4 x2) (S02-0001-130)
1	09001953-1	Front Sheet, Stainless Poly
		Use: 4 Hex Bolt (1/4 x 1/2 Stainless) (C03-0250-013)
		4 Whiz Flange Nut (1/4 Stainless) (C01-0250-032)
1	09001953-2	Rear Sheet, Stainless Poly
1	09001953-3	Side Sheet, Left
		Use: 1 Hex Bolt (5/16 x 1-1/4 Stainless) (C03-0312-052)
		4 Hex Bolt (1/4 x 1/2 Stainless) (C03-0250-013)
		4 Whiz Flange Nut (1/4 Stainless) (C01-0250-032)
1	09001953-4	Side Sheet, Right
		Use: 1 Hex Bolt (5/16 x 1-1/4 Stainless) (C03-0312-052)
		4 Hex Bolt (1/4 x 1/2 Stainless) (C03-0250-013)
		4 Whiz Flange Nut (1/4 Stainless) (C01-0250-032)
2	09094899-2	Bearing Holder PDM
		Use: 8 SAE Washer (5/16) (C02-0312-020)
		2 Wing Nut (5/16) (C01-0312-020)
1	M05-1375-000	Rubber Plug (1-3/8 Snap-Tite)
4	090693	Bearing, End (for 5/8 Shaft)
1	09099927-8	Shaft, Metering Wheel (5/8 Hex)
		Use: 4 Washer .656 I.D. (C02-0656-070)
		2 Hair Pin Cotter (1/8 x 1-15/16) (C21-0125-020)
1	09099927-9	Shaft, Drive (5/8 Round)
		Use: 2 O-Ring (K03-0562-000)
		2 Washer .656 I.D. (C02-0656-070)
		2 Cotter Pin (3/16 x 1-1/4) (C20-0187-030)
1	09099926-6	U-Frame, Poly Hopper
		Use: 4 Hex Bolt (5/16 x 1 Stainless) (C03-0312-045)
		4 Wrought Washer (5/16) (C02-0312-030)
1	09099945-1	Clear Windshield
2	09099926-7	Bottom Support Plate
		Use: 4 Hex Bolt (5/16 x 3/4 Stainless) (C03-0312-031)
		4 Wrought Washer (5/16) (C02-0312-030)

The Following Part is Shipped Unassembled in Carton:

1	M10-0001-115	Cover, Silver 2.3 Cu Ft (100 LB. Capacity)
---	--------------	--

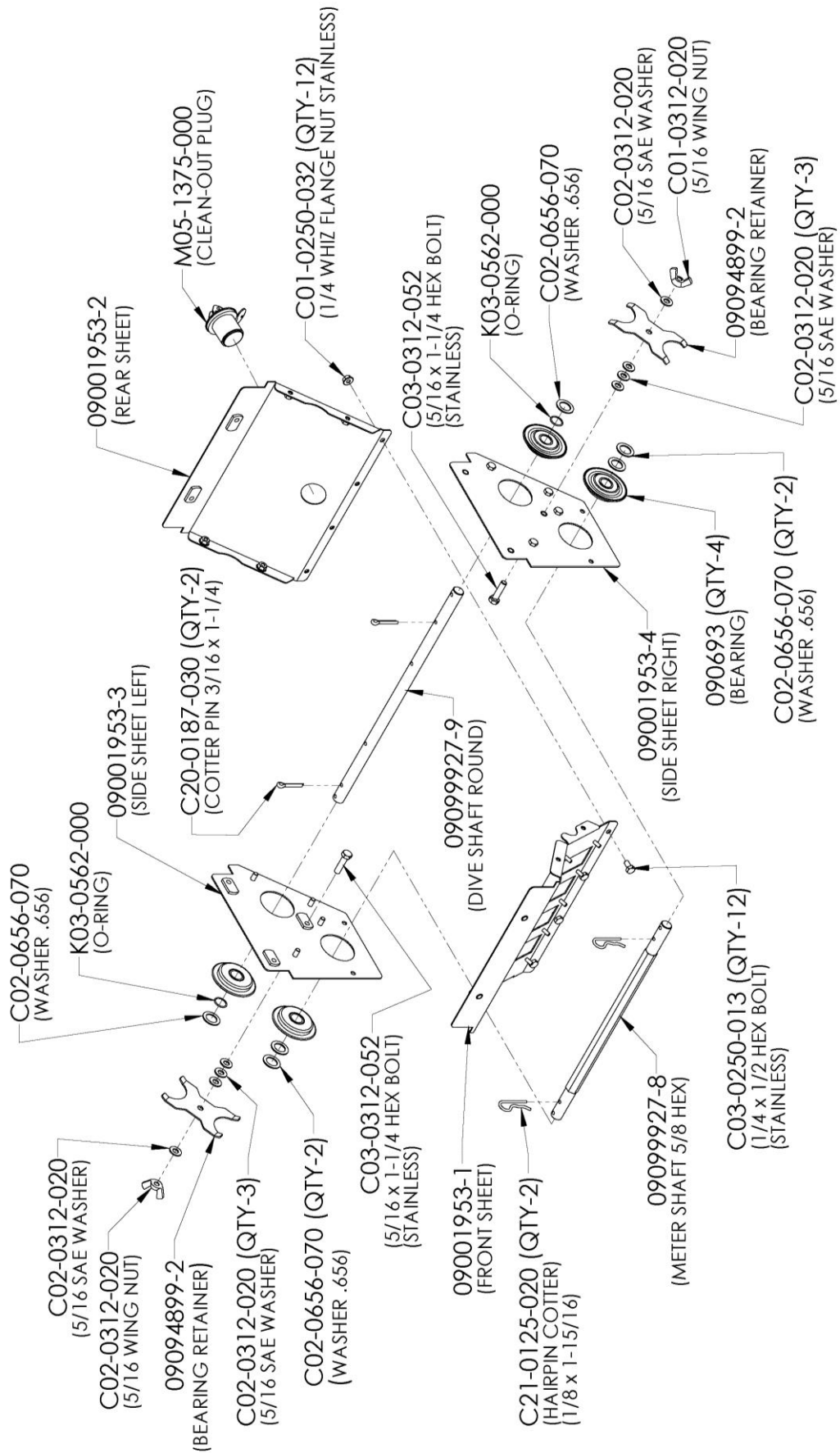
Hopper Assembly Parts Schematic



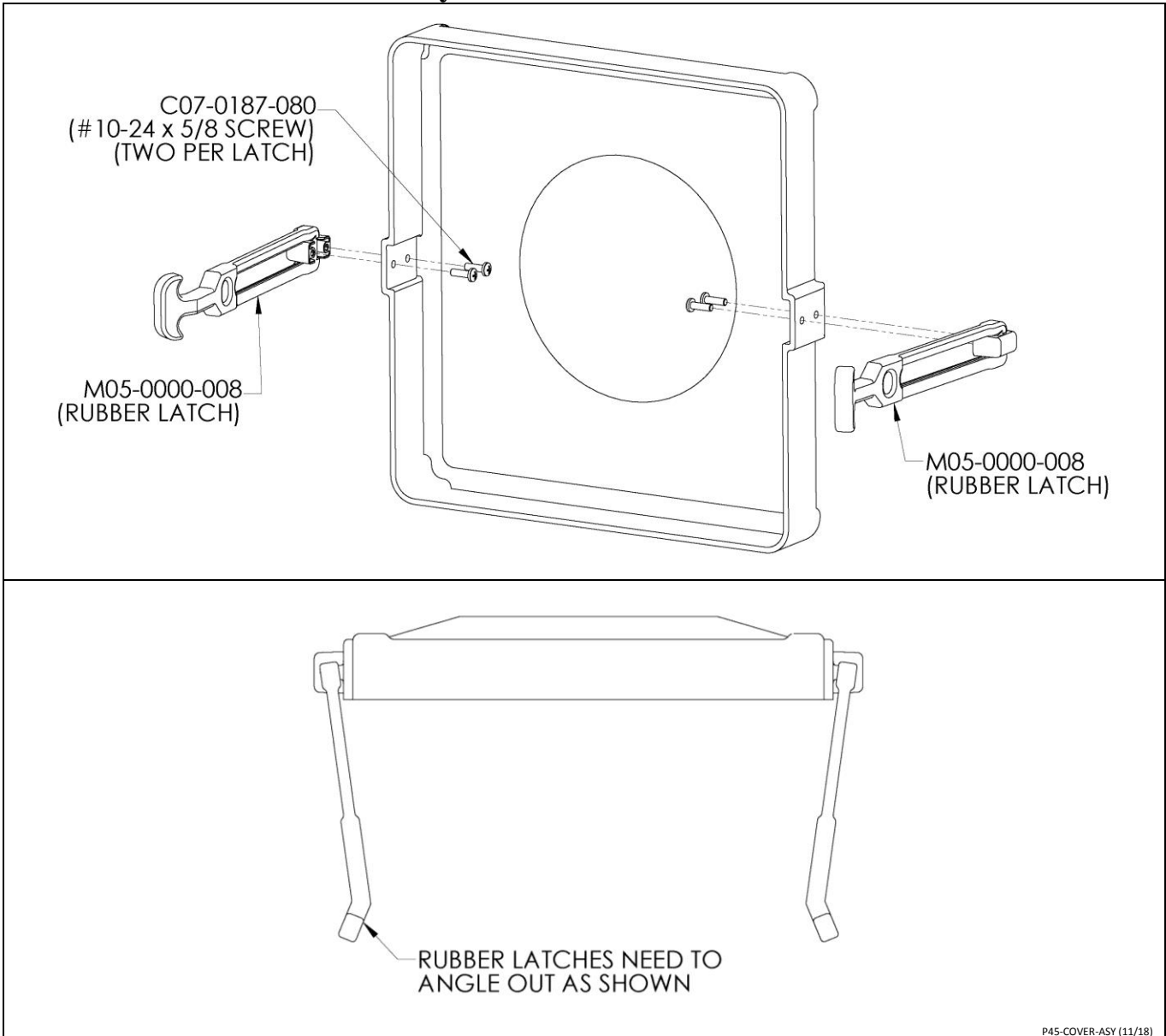
09PDMS-TOP (12/18)

See operator's manual for assembly instructions.

Bottom Assembly View

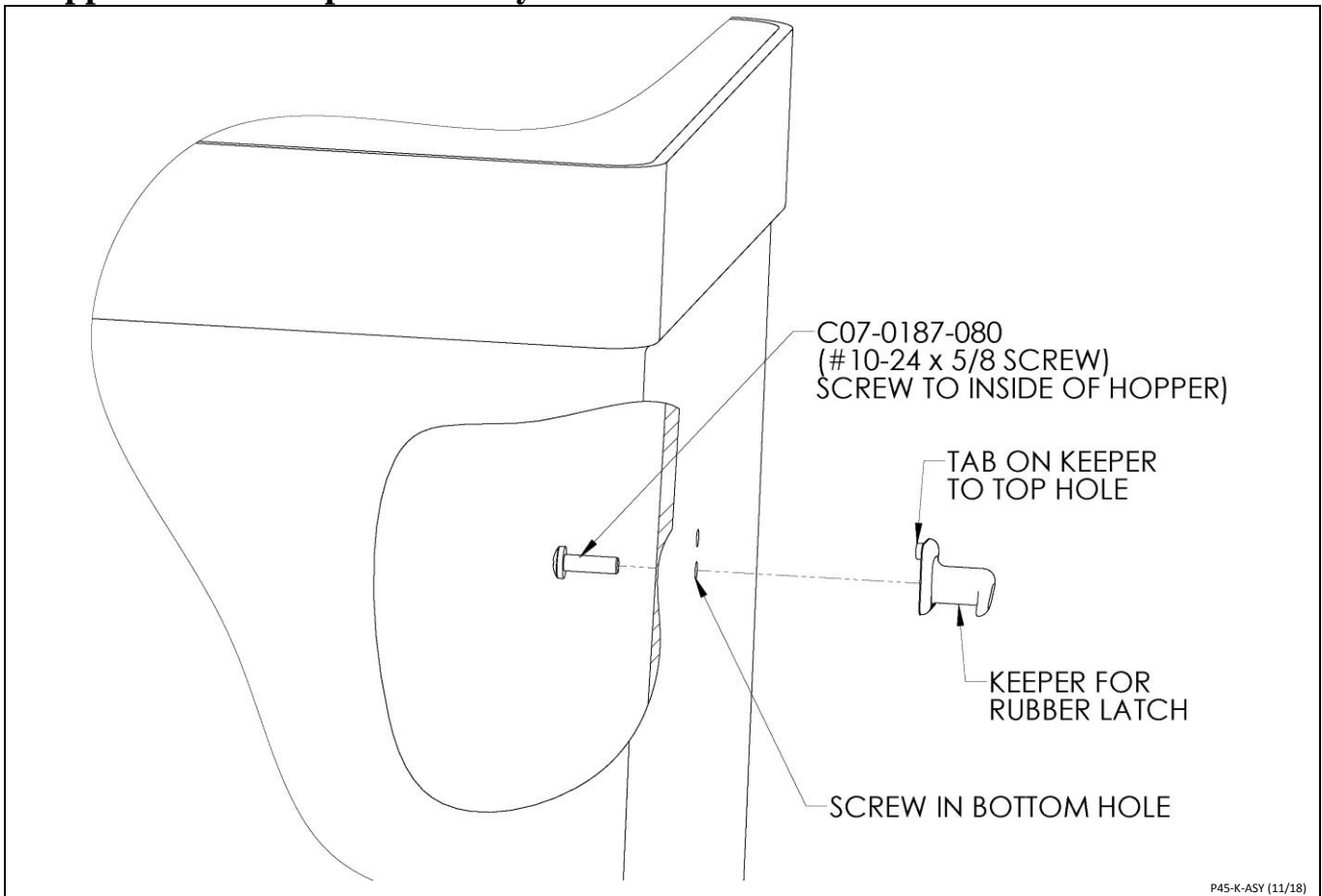


Cover / Rubber Latch Assembly



Assemble rubber latches to cover using two #10-24 x 5/8 (C07-0187-080) screws per latch as shown.

Hopper / Latch Keeper Assembly



Assemble rubber latch keeper to the two holes on the side of the poly hopper using one #10-24 x 5/8 screw (C07-0187-080) as shown. Repeat for the second keeper on the other side of hopper.

09PDMS
December 4, 2018
Revised From (12/15/14)
Printed in the USA