



Illustrated Parts & Packing List

528 Gandrud Road, Owatonna, MN 55060

For a complete distributor & dealer list go to www.gandy.net

490894

Trailer Hitch Package For Sweep Master

(All Hardware in Hardware Bag Unless Otherwise Specified)

One Carton Containing:

- 1 490894-1 Trailer Hitch
 - Use: 2 Hex Bolt (3/8 x 1-1/4) (C03-0375-051)
 - 2 Wrought Washer (3/8) (C02-0375-030)
 - 2 Lock Nut, Nylon (3/8) (C01-0375-041)
 - 2 Locking Pin (490894-3)
 - 2 Hairpin Cotter (1/8 x 2-9/16) (C21-0125-030)
 - 2 Bushing (9/16 O.D. x 7/16 Long) (2606515-6)
- 1 490894-2 Frame, Wheels
 - Use: 2 Hex Bolt (3/8 x 2-1/2) (C03-0375-101)
 - 4 Wrought Washer (3/8) (C02-0375-030)
 - 2 Lock Nut, Nylon (3/8) (C01-0375-041)
 - 2 Locking Pin (490894-3)
 - 2 Hairpin Cotter (1/8 x 2-9/16) (C21-0125-030)
- 2 R02-0013-000 Tire & Wheel Assembly, 13-Inch
 - Use: 2 Cotter Pin (3/16 x 1-1/4) (C20-0187-030)
 - 8 SAE Washer (5/8) (C02-0625-020)

1 490894-H Hardware Bag Containing:

- 4 C01-0375-041 Lock Nut, Nylon (3/8)
- 6 C02-0375-030 Wrought Washer (3/8)
- 8 C02-0625-020 SAE Washer (5/8)
- 2 C03-0375-051 Hex Bolt (3/8 x 1-1/4)
- 2 C03-0375-101 Hex Bolt (3/8 x 2-1/2)
- 2 C20-0187-030 Cotter Pin (3/16 x 1-1/4)
- 4 C21-0125-030 Hairpin Cotter (1/8 x 2-9/16)
- 2 2606515-6 Bushing (9/16 O.D. x 7/16 Long)
- 4 490894-3 Locking Pin

Installation Instructions Sweep Master Trailer Hitch

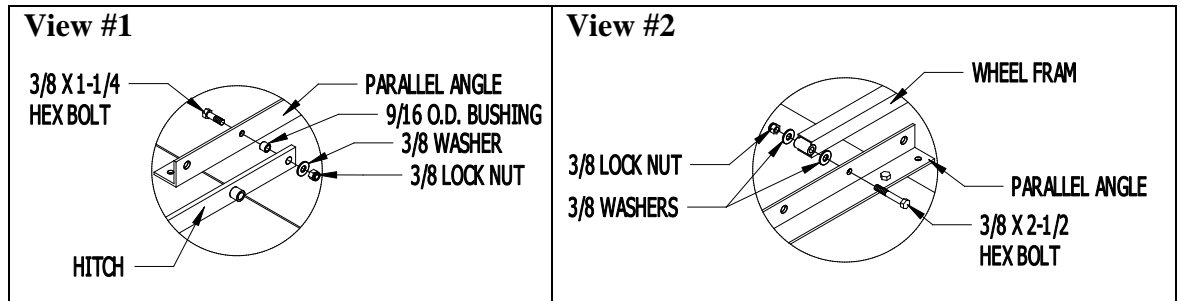
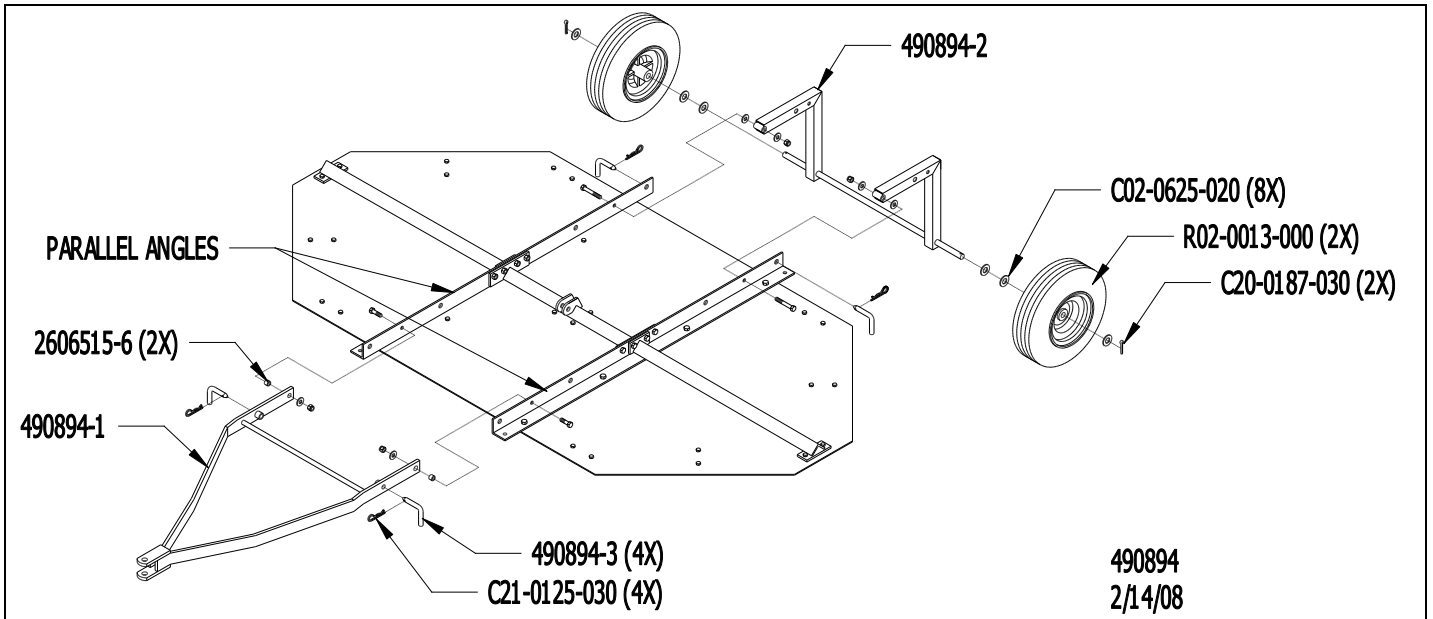
Attach trailer hitch to either side of the Sweep Master brush plate at second set of holes in the parallel angles using the 3/8 x 1-1/4 hex bolts, 9/16 O.D. bushings, 3/8 washers and secure with 3/8 lock nuts. **(See view 1)**
Do not over tighten. Hitch needs to pivot freely.

Place locking pins in first set of holes in hitch to lock in place for transport.
Pins can be stored in third hole on parallel angles when not in use.

On opposite side of brush plate, attach pivot points of wheel frame at second set of holes in the parallel angles using the 3/8 x 2-1/2 hex bolts with 3/8 washers on both sides of wheel frame and secure with 3/8 lock nut. **(See view 2)**
Do not over tighten. Wheel frame needs to pivot freely.

To attach wheels, slide two 5/8 washers on wheel frame shaft followed by, wheel, 5/8 washer and secure on shaft with cotter pin. Same for other side. Note: Some times washer thickness varies and only two 5/8 washers can be used, one on the inside of wheel and one on the outside of wheel.

Place locking pins in 3/8 holes in wheel frame to lock in place for transport.
Pins can be stored in third hole on parallel angles when not in use.



Drawing: 490894
February 14, 2008
Revised From
(6/4/07)
(490894) mw
Printed in the USA