



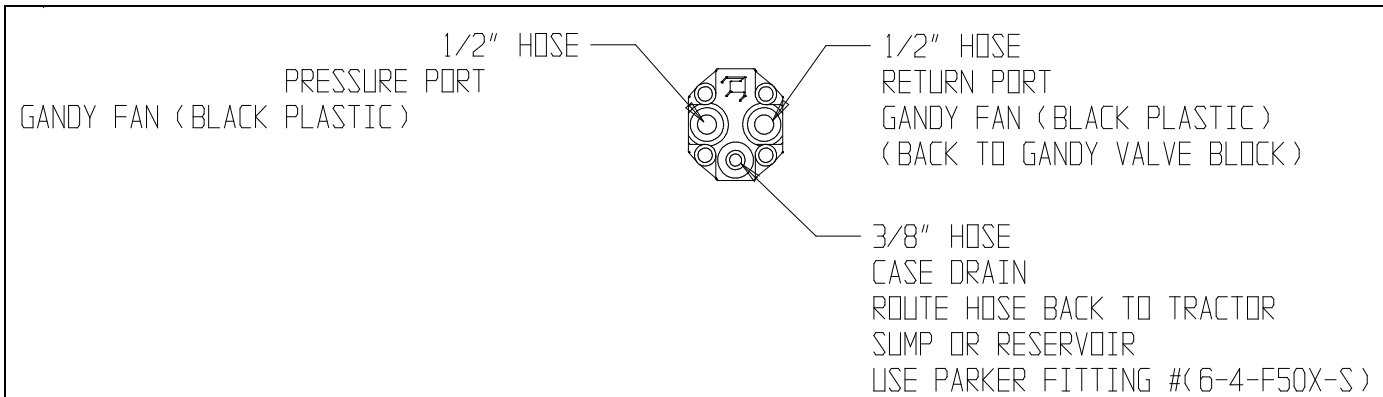
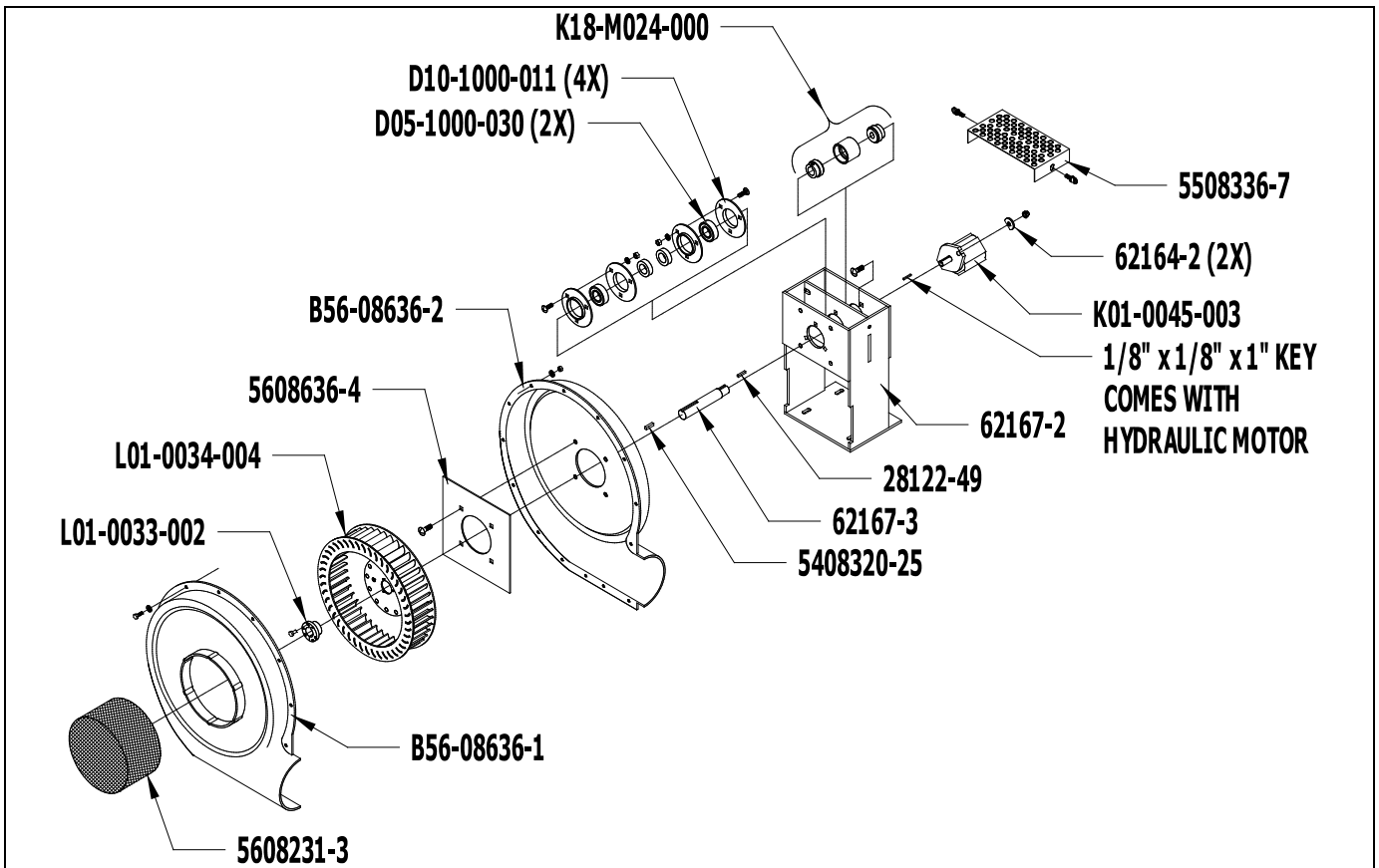
Illustrated Parts & Packing List

528 Gandrud Road, Owatonna, MN 55060

62167-P8LH

Blower Assembly, Plastic Housing, w/ Crary Fan 8 GPM Casappa Hydraulic Motor, Horizontal Discharge w/Out Hoses

- 1 B56-08636-1.....Front Housing, Blower
Use: 14 Hex Bolt (1/4 x 3/4) (C03-0250-030)
28 SAE Washer (1/4) (C02-0250-020)
14 Lock Nut, Nylon (1/4) (C01-0250-040)
- 1 B56-08636-2.....Back Housing, Blower
- 1 5608636-4.....Back-Up Plate
Use: 4 Carriage Bolt (3/8 x 1-1/4) (C04-0375-051)
4 Lock Nut, Nylon (3/8) (C01-0375-041)
- 1 5608231-3.....Screen, Blower
Use: 3 Ph Hd Sheet Screw (#10 x 3/4) (C07-0187-090)
- 1 62167-2.....Mount, Blower
Use: 1 Decal, Warning Rotating (N02-0055-010)
1 Decal, Caution (N02-0062-050)0
1 Decal, Important Hyd Motor (N02-0062-043)
4 Hex Bolt (3/8 x 1-1/2) (C03-0375-061)
4 Lock Washer (3/8) (C02-0375-010)
8 Wrought Washer (3/8) (C02-0375-030)
4 Hex Nut (3/8) (C01-0375-010)
8 Wrought Washer (1/2) (C02-0500-030)
- 1 L01-0034-004.....Fan, Impeller (For Plastic Housing)
Use: 1 Bushing (L01-0033-002)
- 1 5408320-25.....Key, Fan Shaft (1/4 x 1-inch)
- 1 62167-3.....Shaft, 6-inch Long
- 1 28122-49.....Key, Coupler (3/16 x 1-inch)
- 1 K18-M024-000.....Coupler (9/16 x 7/8)
Replacement Parts(K18-M024-003 Coupler Sleeve) (5508230-5 1/8 x1 Key)
(K18-M024-004 Coupler for 9/16 Shaft on Hyd Motor)
(K18-M024-005 Coupler for 7/8 Shaft on End of Fan Shaft)
- 1 K01-0045-003Hydraulic Motor (Casappa)
Use: 2 Carriage Bolt (3/8 x 1-1/4) (C04-0375-051)
2 Washer, Motor Side, Stainless (62164-2)
2 Lock Nut, Nylon (3/8) (C01-0375-041)
- 2 D05-1000-030Bearing & Locking Collar
- 4 D10-1000-011Flangette, Round
Use: 6 Carriage Bolt (5/16 x 1) (C04-0312-040)
6 Lock Washer (5/16) (C02-0312-010)
6 Hex Nut (5/16) (C01-0312-010)
- 1 5508336-7.....Guard, Blower Shaft
Use: 2 Thumb Screw (5/16 x 3/4) (C09-0312-100)



Drawings; 62167-P8, 62164-P8LH
 September 20, 2010
 (62167-P8LH) mw
 Printed in the USA