



Parts List

815 Rice Lake Street, Owatonna, MN 55060
Phone: 800-443-2476 / 507-451 5430
www.gandy.net / Email: sales@gandy.net

6306AF-4G
Orbit-Flow Applicator
4 (1-1/4") Outlets, Fertilizer (F) Red Wheels
For Use w/ 1-1/2 I.D. Tubing
600 lb. Fertilizer Capacity
Gravity Flow
(All Parts & Hardware in Place Unless Otherwise Specified)

- 1..... 628720-1.....Hopper, 10 Cu Ft (600 Lb. Capacity)
 - Use: 2 Sight Window (610851/26)
 - 4 Mounting Rail (610851/27)
 - 12 Pop Rivet (3/16 x 3/8) (C19-0187-030)
 - 2 Decal, Caution Moving Parts (N02-0014-010)
 - 2 Decal, 6306 (N02-0001-109)
 - 1 Decal, Important Metering Wheel (N02-0062-040)
 - 1 Decal, Caution Black on Yellow (N02-0062-050)
- 1..... 628720-10.....Mounting Arm, Hopper, Left
 - Use: 8 Hex Bolt (3/8 x 1) (C03-0375-041)
 - 8 Whiz Flange Nut (3/8) (C01-0375-030)
- 1..... 628720-11.....Mounting Arm, Hopper, Right
 - Use: 8 Hex Bolt (3/8 x 1) (C03-0375-041)
 - 8 Whiz Flange Nut (3/8) (C01-0375-030)
- 2..... 63861-3.....Screen (For 10 Cu Ft Hopper)
- 1..... 63861-2.....Cover (For 10 Cu Ft Hopper)
 - Use: 2 Clevis Pin (1/4 x 2-5/8) (C22-0250-200)
 - 2 Cotter Pin (3/32 x 3/4) (C20-0093-020)
- 2..... 1406318.....Cover Lock
 - Use: 2 Cotter Pin (3/32 x 3/4) (C20-0093-020)
- 1..... 62852-24.....Clear Windshield (For 10 Cu Ft Hopper)
 - Use: 5 Hex Bolt (1/4 x 1/2) (C03-0250-010)
 - 5 Wrought Washer (5/16) (C02-0312-030)
 - 5 Whiz Flange Nut (1/4) (C01-0250-030)
- 2..... 63861-5.....Black Plate, Bearing Hole
 - Use: 4 Carriage Bolt (1/4 x 5/8) (C04-0250-020)
 - 4 Whiz Flange Nut (1/4) (C01-0250-030)
- 1..... M05-3000-000.....Rubber Plug (3-inch)
- 1..... 628720-18.....Clean-Out Chute (4-inch)
 - Use: 1 Wing Nut (5/16) (C01-0312-020)
 - 1 Wrought Washer (5/16) (C02-0312-030)
 - 1 Decal, Caution Plug (N02-0062-051)

1.....6306-4AMetering Door Assembly 4-outlet Fertilizer (F) Red Wheels

- 1 62852-11.....Mounting Plate, (12-Outlets)
 - Use: 2 J-Bolt (C16-0312-020)
 - 2 Wrought Washer (5/16) (C02-0312-030)
 - 2 Wing Nut (5/16) (C01-0312-020)
- 3.17 FT... M05-0125-050.....Rubber Strip with Adhesive (1/8 x 1/2)
- 8 62852-20.....Blank Plate
 - Use: 26 Whiz Flange Nut (3/16) (C01-0187-030)
- 4 M10-0001-100.....Metering Cup (1-1/4)
- 4 62851-76.....Hole Closure, Slotted
 - Use: 8 Extruded Washer (628720-20)
 - 4 Hex Bolt (5/16 x 1-3/4) (C03-0312-071) (Stainless)
 - 4 Comp. Spring (E00-0420-012)
- 1 62852-14.....Hex Shaft, Metering Wheels (31-9/16 x 5/8 Hex)
- 2 63861-7.....Bearing, Plastic (5/8 Bore)
- 4 09074690-4.....Flangette (For 63861-7 Bearing)
 - Use: 4 Hex Bolt (1/4 x 1/2) (C03-0250-013) (Stainless)
 - 4 Lock Washer (1/4) (C01-0250-012) (Stainless)
- 4 M10-0001-040.....Metering Wheel, Fertilizer, Red
- 8 62851-72.....Wear Plates (Stainless)

The Following Parts Are Shipped Inside Hopper:

- 1 M10-0005-004.....Manual Holder
- 2 L04-0005-000.....Cable Tie (5/16 x 15-1/4)
- 1 0197102-1.....Bracket, Manual Holder

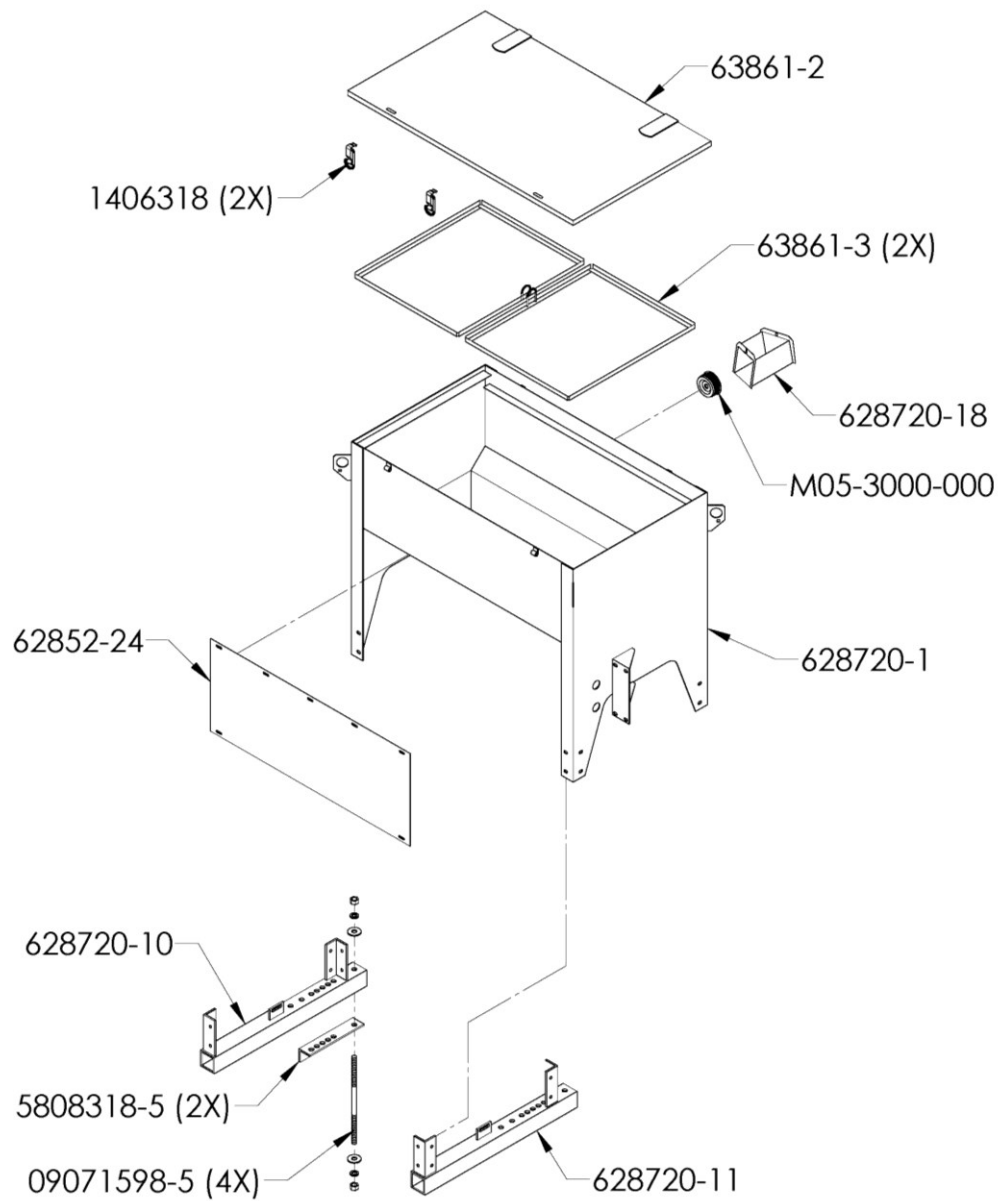
- 4 62851-75.....Metering Wheel, Chemical (C) Black

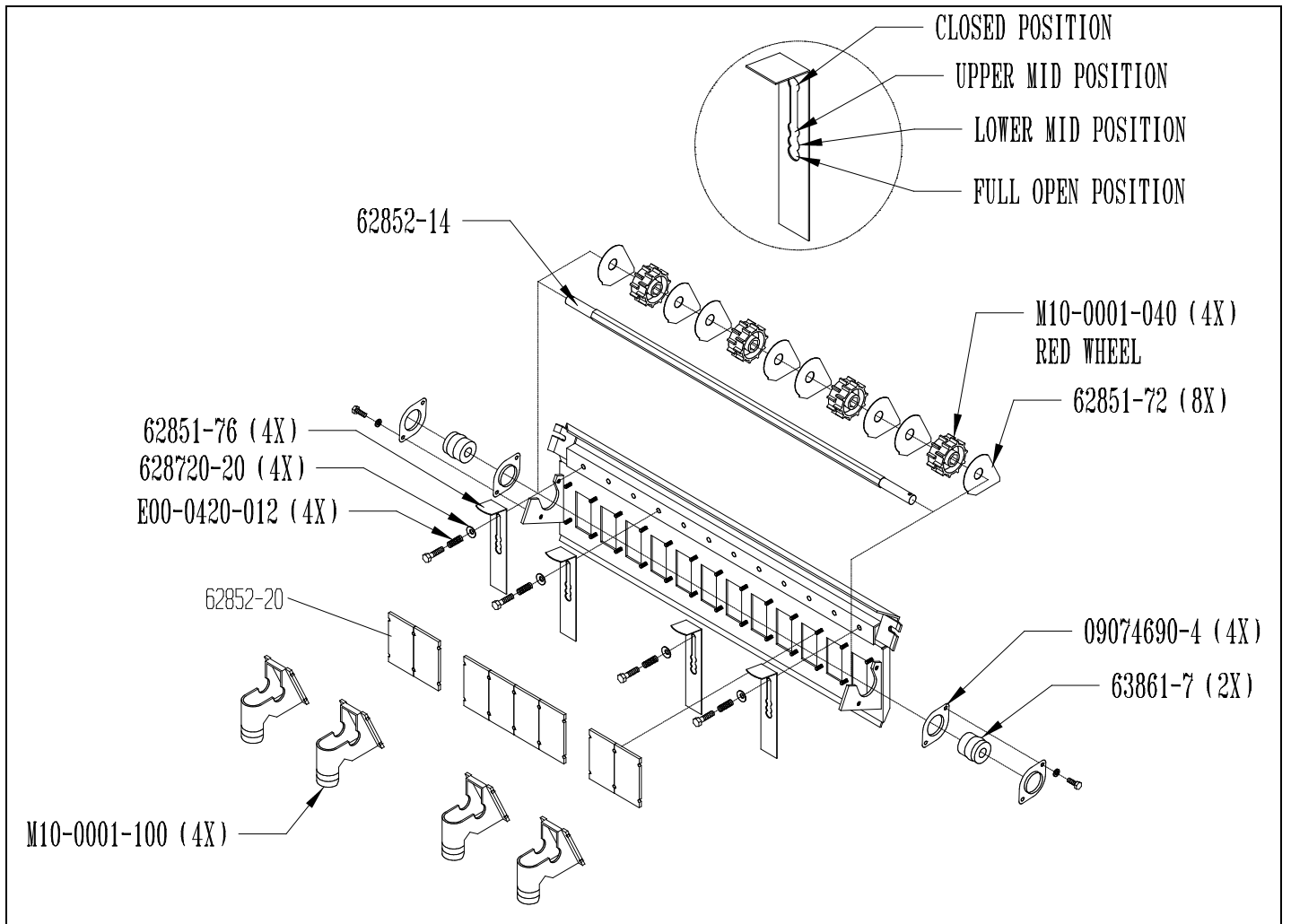
- (12 Ft)..... M06-1500-010.....Clear Flex Tubing, 1-1/2 I.D. (Cut in (4) 3-Foot Long Pieces)
- 4 63861-11.....Bracket, Tube Placement

- 2 5808318-5.....Angle Clamp
- 4 09071598-5.....Stud Bolt (5/8 x 13-1/2 Long)
 - Use: 8 Hex Nut (5/8) (C01-0625-010) **(in Hardware Bag)**
 - 8 Lock Washer (5/8) (C02-0625-010) **(in Hardware Bag)**
 - 8 Wrought Washer (5/8) (C01-0625-030) **(in Hardware Bag)**

1..... 6306-4HHardware Bag Containing the Following:

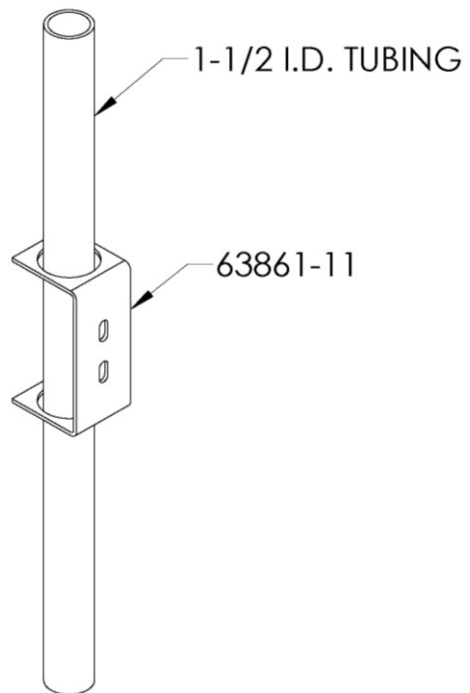
- 8 C01-0625-010.....Hex Nut (5/8)
- 8 C02-0625-010.....Lock Washer (5/8)
- 8 C02-0625-030.....Wrought Washer (5/8)
- 4 M11-0024-000.....Hose Clamp #24 (1 to 2-inch)
- 2 62852-20.....Blank Plate Metering Door





Tube Holder Bracket

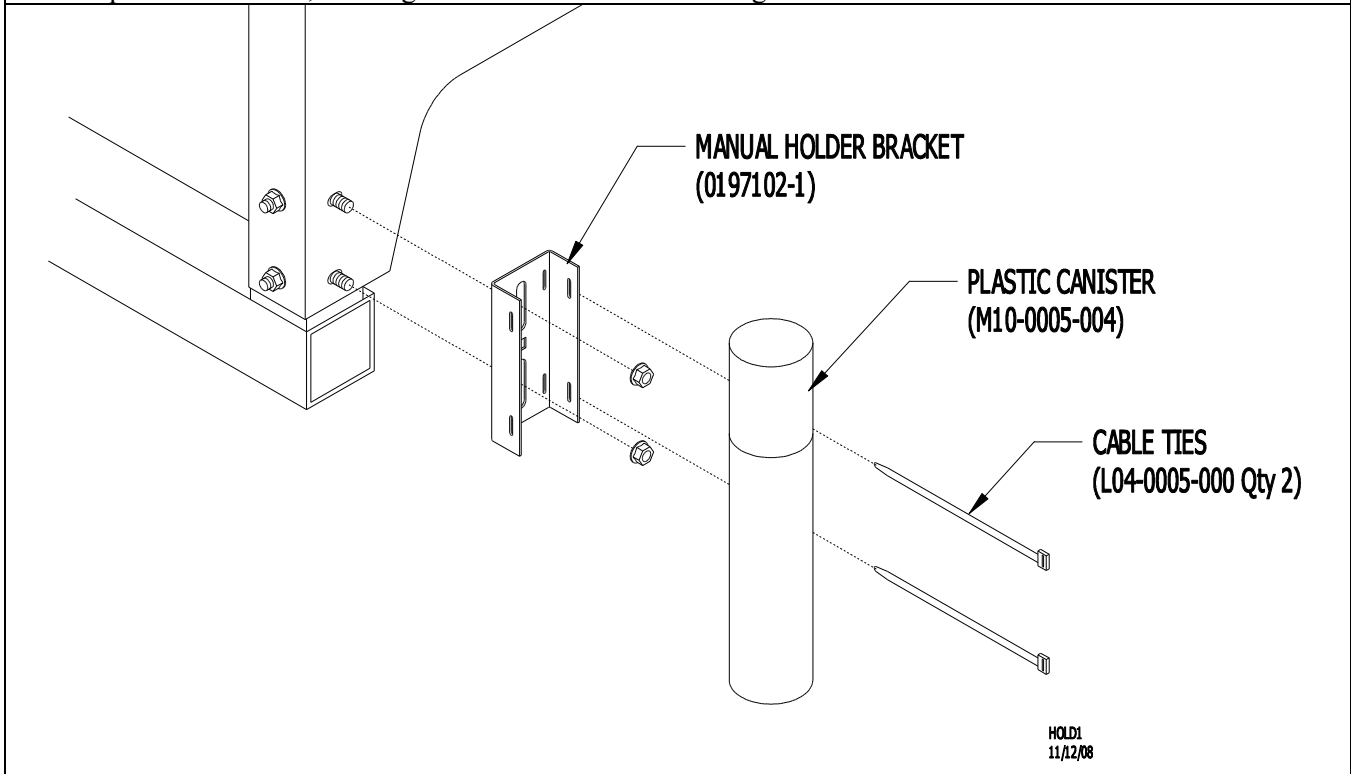
Mount bracket in a position to help stabilize 1-1/2 i.d. drop tube in place.



6306-hopper tube mount

Manual Holder Bracket

Mount manual holder to corner of hopper or convergent location on implement.
Store Operator's manual, Packing List & Rate Chart of convergent access.



Drawings: 6306-6B, 6306AF-4G
April 28, 2021
Revised From (2/26/18)
Printed in the USA