



# Illustrated Parts and Packing List & Instructions

815 Rice Lake Street, Owatonna, MN 55060

Phone: 800-443-2476 / 507-451-5430

www.gandy.net / Email: sales@gandy.net

## 6631FS16F

### Orbit-Air Applicator

### Implement Mounted Hopper

### Hydraulic Raven Monitor Controlled

31 Cu. Ft. (.88m<sup>3</sup>), 24.8 Bushel, 1395-Lb Chemical Capacity,

w/16 (1-1/4") Openings, Fertilizer (F) Red Wheels

For Use w/ 1-1/4 inch I.D. Tubing

Single Shaft (No Clutch)

(All Parts & Hardware in Place Unless Otherwise Specified)

- 1 ..... S02-0001-034 ..... Shipping Crate (23/31 CF Hopper)  
Use: 4 Hex Bolt (3/8 x 2-3/4) (C03-0375-111)  
8 Wrought Washer (3/8) (C02-0375-030)  
4 Whiz Flange Nut (3/8) (C01-0375-030)
- 1 ..... 62240-1B ..... Hopper, 23/31 CF (Painted Black)  
Use: 2 Sight Window (610851/26)  
4 Rail (610851/27)  
12 Pop Rivet (3/16 x 3/8) (C19-0187-030)  
1 Decal, Important, Metering Wheel (N02-0062-040)  
2 Decal, Caution (N02-0014-010)  
1 Decal, Caution Black on Yellow (N02-0062-050)  
1 Decal, Caution Plug (N02-0062-051)
- 1 ..... 62241-1 ..... Roof 31 CF  
Use: 2 Carriage Bolt (3/8 x 1-1/2) (C04-0375-061)  
2 Wrought Washer (3/8) (C02-0375-030)  
2 Whiz Flange Nut (3/8) (C01-0375-030)  
20 Carriage Bolt (5/16 x 3/4) (C04-0312-031)  
20 Whiz Flange Nut (5/16) (C01-0312-030)  
2 Decal, Orbit-Air Small (N02-0001-123)
- 2 ..... 62240-4 ..... Bushing Mount (For Out Side Hinge)  
Use: 2 Carriage Bolt (3/8 x 2) (C04-0375-080)  
2 Whiz Flange Nut (3/8) (C01-0375-030)
- 2 ..... 62200-22 ..... Screen Support Bracket  
Use: 4 Carriage Bolt (5/16 x 3/4) (C04-0312-031)  
4 Whiz Flange Nut (5/16) (C01-0312-030)
- 1 ..... 62240-3 ..... Cover (For 23/31 CF Hopper)  
Use: 2 Carriage Bolt (3/8 x 1-1/4) (C04-0375-051)  
2 Wrought Washer (3/8) (C02-0375-030)  
2 Jam Lock Nut (3/8) (C01-0375-062)

1..... M05-0000-004.....Rubber Latch w/ Keeper  
Use: 4 Pop Rivet (C19-0187-000)

2..... 62852-3.....Inner Hinge  
Use: 2 Hex Bolt (3/8 x 1) (C03-0375-041)  
4 Jam Nut, Nylon Lock (3/8) (C01-0375-062)  
8 Wrought Washer (3/8) (C02-0375-030)

2..... 62852-4.....Outer Hinge  
Use: 4 Wrought Washers (3/8) (C02-0375-030)  
4 Jam Nut, Nylon Lock (3/8) (C01-0375-062)

2..... 629069-1.....Mounting Base w/ Holes  
Use: 16 Hex Bolt (3/8 x 1-1/4) (C03-0375-051)  
16 Wrought Washer (3/8) (C02-0375-030)  
16 Lock Washer (3/8) (C02-0375-010)  
16 Whiz Flange Nut (3/8) (C01-0375-030)

1..... 62851-34.....Shaft, Gear & Driven Sprocket (43-1/4 x 5/8 Round)

2..... 63861-7.....Bearing, Plastic (For 5/8 Shaft)

4..... 09074690-4.....Flangette, Bearing (For Bearing 63861-7)  
Use: 3 Carriage Bolt (1/4 x 5/8) (C04-0250-020)  
1 Carriage Bolt (1/4 x 1) (C04-0250-040)  
4 Whiz Flange Nut (1/4) (C01-0250-030)

1..... 62851-42.....Chain Sprocket, 21-Tooth (5/8 Bore)  
Use: 1 Cotter Pin (3/16 x 1-1/4) (C20-0187-030)

1..... 62853-9.....Sprocket, 24-Tooth (5/8 Bore x 1-3/8 Hub)  
Use: 1 Cotter Pin (3/16 x 1-1/4) (C20-0187-030)

1..... 62851-22.....Shaft (46 x 1-inch Round)  
Use: 1 Cotter Pin (3/16 x 1-1/4) (C20-0187-030)  
1 SAE Washer (1-nch) (C02-1000-020)

2..... D05-1000-010 .....Bearing (For 1-inch Shaft)  
Use: 4 Hex Bolt (5/16 x 3/4) (C03-0312-030)  
4 Lock Washer (5/16) (C02-0312-010)  
4 Hex Nut (5/16) (C01-0312-010)

1..... 628720-12.....Sprocket Double, 32T-35T Chain (#40 Chain) (1-inch Bore)  
Use: 1 Hex Bolt (1/4 x 1-3/4) (C03-0250-070)  
1 Nylon Lock Nut (1/4) (C01-0250-040)

1..... 62851-8.....Air Chamber, 23/31 CF (16-outlet)  
Use: 2 Hex Bolt (3/8 x 1) (C03-0375-041)  
5 Hex Bolt (3/8 x 1-1/4) (C03-0375-051)  
5 Wrought Washer (3/8) (C02-0375-030)  
5 Lock Washer (3/8) (C02-0375-010)  
7 Whiz Flange Nut (3/8) (C01-0375-030)

1..... 641-3.....Air Pressure Switch Assembly  
Use: 2 Pan Head TC Screw (#8 x 1/2) (C07-0164-070)

1..... 5508242-33.....Gasket, Potting Box (For Air Pressure Switch)

1..... L10-0016-010.....Potting Box (Air Pressure Switch Cover)  
Use: 2 Pan Head TC Screw (#8 x 1/2) (C07-0164-070)

16..... M05-0829-300.....Gasket, Mixing Chamber

16..... M10-0055-060.....Mixing Chamber (For 1-1/4 inch I.D. Tubing)  
Use: 32 Hex Head Self-Tap Bolt (5/16 x 3/4) (C03-0312-032)

2..... M05-2000-000.....Rubber Plug (2-inch For Air Chamber)

1..... 62851-32.....Angle Support, For Air Chamber & Blower

- 1 ..... 628720-18.....Clean-Out Chute (4-inch)  
Use: 1 Wing Nut (5/16) (C01-0312-020)  
1 Wrought Washer (5/16)(C02-0312-030)
- 1 ..... M05-3000-000.....Rubber Plug, 3-inch (For Hopper Cleanout)
- 1 ..... 62240-10.....Angle Clamp, Tubes (For 23/31CF)  
Use: 4 Foam Clamp Strip 9-1/2 Long (62851-16)
- 1 ..... 5608226.....Bar Clamp, Plastic Tubing, (23/31 CF)  
Use: 4 Foam Clamp Strip 9-1/2 Long (62851-16)  
5 Hex Bolt (5/16 x 2-1/2) (C03-0312-101)  
5 Lock Nut, Nylon (5/16) (C01-0312-040)
- 2 ..... 62852-16.....Mounting Bracket, Platform (23/31 CF)  
Use: 4 Carriage Bolt (5/16 x 3/4) (C04-0312-031)  
4 Whiz Flange Nut (5/16) (C01-0312-030)
- 1 ..... 62851-10.....Platform (23/31 CF)  
Use: 3 Grip Tape (3 x 48-1/2 Long) (62851-15)
- 1 ..... 62851-37.....Angle Support (23/31 CF Platform)  
Use: 4 Carriage Bolt (5/16 x 3/4) (C04-0312-031)  
4 Whiz Flange Nut (5/16) (C01-0312-030)
- 1 ..... 62851-67.....Clear Windshield (For 23/31 CF)  
Use: 6 Hex Bolt (1/4 x 1/2) (C03-0250-010)  
6 Wrought Washer (5/16) (C02-0312-030)  
6 Whiz Flange Nut (1/4) (C01-0250-030)
- 4 ..... 62851-5.....Screen (23/31 CF)
- 1 ..... 62240-8.....Bracket Long Fan Support (23/31 CF)  
Use: 2 Hex Bolt (3/8 x 1-1/4) (C03-0375-051)  
2 Wrought Washer (.3/8) (C02-0375-030)  
2 Lock Washer (3/8) (C02-0375-010)  
2 Whiz Flange Nut (3/8) (C01-0375-030)
- 1 ..... 62240-9.....Bracket Short Fan Support (23/31 CF)  
Use: 2 Hex Bolt (3/8 x 1-1/4) (C03-0375-051)  
2 Wrought Washer (.3/8) (C02-0375-030)  
2 Lock Washer (3/8) (C02-0375-010)  
2 Whiz Flange Nut (3/8) (C01-0375-030)

## Sensors & Wire Extensions

- 1 ..... 661-19.....Sensor Wire Extension (24" Long)  
Use: Shaft Tag 1 Decal
- 1 ..... 62851-28.....Mounting Bracket, Sensor  
(Mounts to Flangette 09074690-4, Side Opposite Hyd Drive)
- 1 ..... 628957-1.....Sensor Shaft
- 1 ..... 5508442-35.....Magnetic Hub, 5/8 Bore (**Installed On Metering Door Shaft**)  
Use: 1 Spring Pin (3/16 x 1) (C23-0187-140)
- 1 ..... 661-12.....Motor Mount (For Hydraulic Motor Drive)  
Use: 2 Hex Bolt (5/8 x 4) (C03-0625-161)  
2 SAE Washer (5/8) (C02-0625-020)  
2 Lock Washer (5/8) (C02-0625-010)  
2 Hex Nut (5/8) (C01-0625-010)  
2 Carriage Bolt (3/8 x 1-1/4) (C04-0375-051)  
2 Wrought Washer (3/8) (C02-0375-030)  
2 Lock Washer (3/8) (C02-0375-010)  
2 Hex Nut (3/8) (C01-0375-010)
- 1 ..... F02-0041-054 .....Roller Chain #41 (54-Rollers) (Hyd Motor to Drive Shaft)  
Use: 1 Connector Link #41 (F02-0041-001)

## Hydraulic Drive Motor Assembly (6623-A)

1	..... K01-1022-000	..... Hydraulic Motor "A" Series #130-108
1	..... 09073678-4	..... Plate, Motor Mount
		Use: 2 Hex Bolts (3/8 x 1) (C03-0375-041)
		2 Lock Washer (3/8) (C02-0375-010)
1	..... 661-2	..... Sensor Bracket
		Use: 2 Hex Bolts (3/8 x 1) (C03-0375-041)
		2 Wrought Washer (3/8) (C02-0375-030)
		2 Lock Washer (3/8) (C02-0375-010)
1	..... 661-13	..... Regulator Block
		Use: 2 Socket Pipe Plug 1/4-18 NPT (C06-0250-300)
		4 Socket Head Cap Screw (5/16 x 2) (C06-0312-130)
1	..... L08-SV10-230	..... Solenoid Valve
		Use: 2 Terminal, 14-16ga, Male #634005 (L03-0009-090)
1	..... 661-11	..... Sensor, Sprocket
		Use: 1 Carriage Bolt (1/4 x 5/8) (C04-0250-020)
		1 Whiz Flange Nut (1/4) (C01-0250-030)
1	..... 661-7	..... Sprocket, 13-Tooth (1-inch Bore w/ 1/4 Keyway)
		Use: 1 Key (1/4 x 1) (5408320-25)
1	..... 661-6	..... Bushing (1-1/8 O.D. x 1/2 Long)
1	..... 661-4	..... Sprocket, 20-Tooth (7/8 Bore)
		Use: 2 Spring Pin (1/8 x 1-3/4) (C23-0125-200)
1	..... 661-5	..... Collar, Hydraulic Speed Comp Drive
		Use: 1 Hex Bolt (1/4 x 1-1/4) (C03-0250-051)
		1 Lock Washer (1/4) (C02-0250-010)

## Hydraulic Valve Assembly (6623-B)

1	..... L07-0063-195	..... Hydraulic Control Valve, 16 GPM	
		Use: 3 Apt SAE 10, Male 1/2 NPT, Female Swivel (K04-0500-010)	
1	..... 661-15	..... Bracket, Motor Control (For 10 & 23/31 Cu Ft Hopper)	
		Use: 2 Hex Bolt (5/16 x 3/4) (C03-0312-030)	
		2 Whiz Flange Nut (5/16) (C01-0312-030)	
2	..... K02-0500-120	..... Hydraulic Hose, 1/2 x 120"	
3	..... K02-0500-014	..... Hydraulic Hose, 1/2 x 14" w/ O-Ring Fitting On One End	
1	..... K02-0500-012	..... Hydraulic Hose, 1/2 x 12" w/ Fitting	
1	..... K02-0500-021	..... Hydraulic Hose, 1/2 x 21"	
1	..... K07-0500-010	..... Steel Pipe Tee (1/2)	
1	..... K09-0500-000	..... 90° High Pressure Sp Elbow (1/2)	
1	..... K11-0500-028	..... Steel Pipe Nipple (1/2 x 1-13/16)	
1	..... L04-0005-000	..... Cable Tie (5/16 x 15-1/4)	
<b>1</b>	..... <b>62113</b>	..... <b>Hydraulic By-Pass Block Assembly w/Check Valve</b>	
	1	..... K05-CV10-200	..... Check Valve
	1	..... 6296-1	..... Hydraulic By-Pass Block

## Metering Door Assembly

<b>1</b> .....	<b>6216-F</b> .....	<b>Metering Door Assembly, 16 (1-1/4) Fertilizer (Red) Wheels:</b>
1 .....	62851-24.....	Mounting Plate, Metering Cup, 16 Openings Use: 2 J-Bolt (5/16) (C16-0312-020) 2 Wrought Washer (5/16) (C02-0312-030) 2 Wing Nut (5/16) (C01-0312-020)
4 Ft. ....	M05-0125-050.....	Rubber Strip w/ Adhesive (1/8 x 1/2)
16 .....	M10-0001-100.....	Metering Cup (1-1/4) Use: 36 Whiz Flange Nut (3/16) (C01-0187-030)
16 .....	62851-76.....	Hole Closures, Standard 4 Hole Use: 16 Comp Spring (E00-0420-012) 16 Extruded Washer (628720-20) 16 SAE Washer (5/16) (C02-0312-020) 16 Hex Bolt (5/16 x 1-3/4 <b>Stainless</b> ) (C03-0312-071)
16 .....	M10-0001-040.....	Metering Wheel Red
32 .....	62851-72.....	Wear Plate, Stainless
1 .....	62851-3.....	Shaft (41-15/16 x 5/8 Hex)
2 .....	63861-7.....	Bearing, Plastic (5/8 Bore)
1 .....	62851-4.....	Center Bearing, Plastic (1-inch Bore)
1 .....	22904-8.....	Journal Line Shaft (For Center Bearing)
2 .....	62851-26.....	Bushing (1 O.D. x 1/2 Long)
6 .....	09074690-4.....	Flangette, Bearing (For Bearing 63861-7) Use: 6 Hex Bolt (1/4 x 1/2 <b>Stainless</b> ) (C03-0250-013) 6 Lock Washer (1/4 <b>Stainless</b> ) (C02-0250-012)
1 .....	62851-41.....	Sprocket 21-Tooth, (5/8 Bore) Use: 1 Cotter Pin (3/16 x 1-1/4) (C20-0187-030)

1 ..... K02-0375-024 .....Hydraulic Hose, 3/8 x 24" (Case Drain)

## Hydraulic Blower Assembly

**1..... 62167-P8LH .....Blower Assembly, 8 GPM Hydraulic Motor, w/out Hoses**

1 ..... B56-08636-1.....Front Housing, Blower (Plastic)  
Use: 14 Hex Bolt (1/4 x 3/4) (C03-0250-030)  
28 SAE Washer (1/4) (C02-0250-020)  
14 Lock Nut, Nylon (1/4) (C01-0250-040)

1 ..... B56-08636-2.....Back Housing, Blower (Plastic)

1 ..... 5608636-4.....Back-Up Plate  
Use: 4 Carriage Bolt (3/8 x 1-1/4) (C04-0375-051)  
4 Lock Nut, Nylon (3/8) (C01-0375-041)

1 ..... 62167-2.....Mount, Blower (Plastic w/Coupler)  
Use: 1 Decal, Warning Rotating Parts (N02-0055-010)  
1 Decal, Important Hydraulic Motor (N02-0062-043)  
1 Decal, Black on Yellow (N02-0062-050)

1 ..... L01-0034-004 .....Fan, Impeller  
Use: 1 Bushing (1-inch JA Bore) (L01-0033-002)

1 ..... 5408320-25.....Key, Fan Shaft (1/4 x 1)

1 ..... 62167-3.....Shaft (6 Inch Long)

1 ..... 28122-49.....Key, for Coupler (3/16 sq. x 1)

1 ..... K18-M024-000.....Coupler (9/16 x 7/8)  
Replacement Parts .....(K18-M024-003 Black Plastic Coupler Sleeve) (5508230-5 1/8 x1 Key)  
(K18-M024-004 Coupler for 9/16 Shaft on Hyd Motor)  
(K18-M024-005 Coupler for 7/8 Shaft on End of Fan Shaft)

1 ..... K01-0045-003 .....Hydraulic Motor, 8-GPM Casappa  
Use: 2 Carriage Bolt (3/8 x 1-1/4) (C04-0375-051)  
2 Washer, Motor Side, Stainless (62164-2)  
2 Lock Nut, Nylon (3/8) (C01-0375-041)

2 ..... D05-1000-030 .....Bearing & Locking Collar (For 1-inch Shaft)

4 ..... D10-1000-011 .....Flangette, Round  
Use: 6 Carriage Bolt (5/16 x 1) (C04-0312-040)  
6 Lock Washer (5/16) (C02-0312-010)  
6 Hex Nut (5/16) (C01-0312-010)

1 ..... 5608231-3.....Screen, Blower  
Use: 3 Pan Head Sheet Screw (#10 x 3/4) (C07-0187-090)

1 ..... 5508336-7.....Guard, Blower Shaft  
Use: 2 Thumb Screw (5/16 x 3/4) (C09-0312-100)

1 ..... L04-0000-000.....Tag, Important, Caution

**The Following Parts Are Shipped Inside Hopper:**

- 1..... 0197102-1..... Manual Holder Bracket
- 2..... L04-0005-000..... Cable Tie (5/16 x 15-1/4)
- 1..... M10-0005-004..... Manual Holder
  
- 1..... L07-0063-484..... Wheel Speed Sensor
- 1..... L07-0063-829..... Console
- 1..... L07-0115-456..... Console Valve Adapter Cable
- 1..... L07-0115-557..... Cable, Single Shaft, No Clutch
- 1..... L07-0115-651..... Grain Flow, 10 Ft, 22 Pin
- 1..... L07-0115-652..... Grain Flow Cable, 12 Ft, 22 Pin

**1.....662-C .....Run Hold Switch Carton Containing:**

- 4 ..... C01-0375-030..... Whiz Flange Nut (3/8)
- 2 ..... 644-2..... U-Bolt 3/8” (For 3 x 3 Sq Tube)
- 1 ..... 62150-21..... Spring Bracket Mount
- 1 ..... Run Hold Switch Assembly:**
  - 1 ..... 62150-20..... Run Hold Mount
    - Use: 3 Hole Plug (3/8) (J03-0375-000)
  - 1 ..... L05-0001-001 ..... Switch, Snap Action #3XG49-9
    - Use: 2 Slot Rd Hd Mach Screw (#6-32 x 1-1/4) (C08-0138-140)
    - 2 Shake Proof Washer (#6-32) (C02-0138-040)
    - 2 Hex Nut (#6-32) (C01-0138-010)
  - 1 ..... 6611-1..... Wire Assembly, Run/Hold
    - Use: 1 Strain Relief Bushing (J04-0500-000)
  - 1 ..... C16-0250-010..... Eye Bolt (1/4 x 9/16 I.D. x 2-1/2)
    - Use: 2 Hex Nut (1/4) (C01-0250-010)
    - 1 Coupling Nut (1/4) (C01-0250-101)
    - 1 Hex Bolt (1/4 x 2-3/4) (C03-0250-110)
    - 1 Spring (E00-0375-040)
    - 3 Key Ring (5/8) (M11-0001-000)
    - 1 S-Hook (M11-0006-000)
    - 1 Sash Chain #25 (16 Inches) (F03-0025-000)
    - 1 Compression Spring (E01-0664-4)
    - 1 Bushing (62150-22)
    - 1 Stop Washer (62150-23)

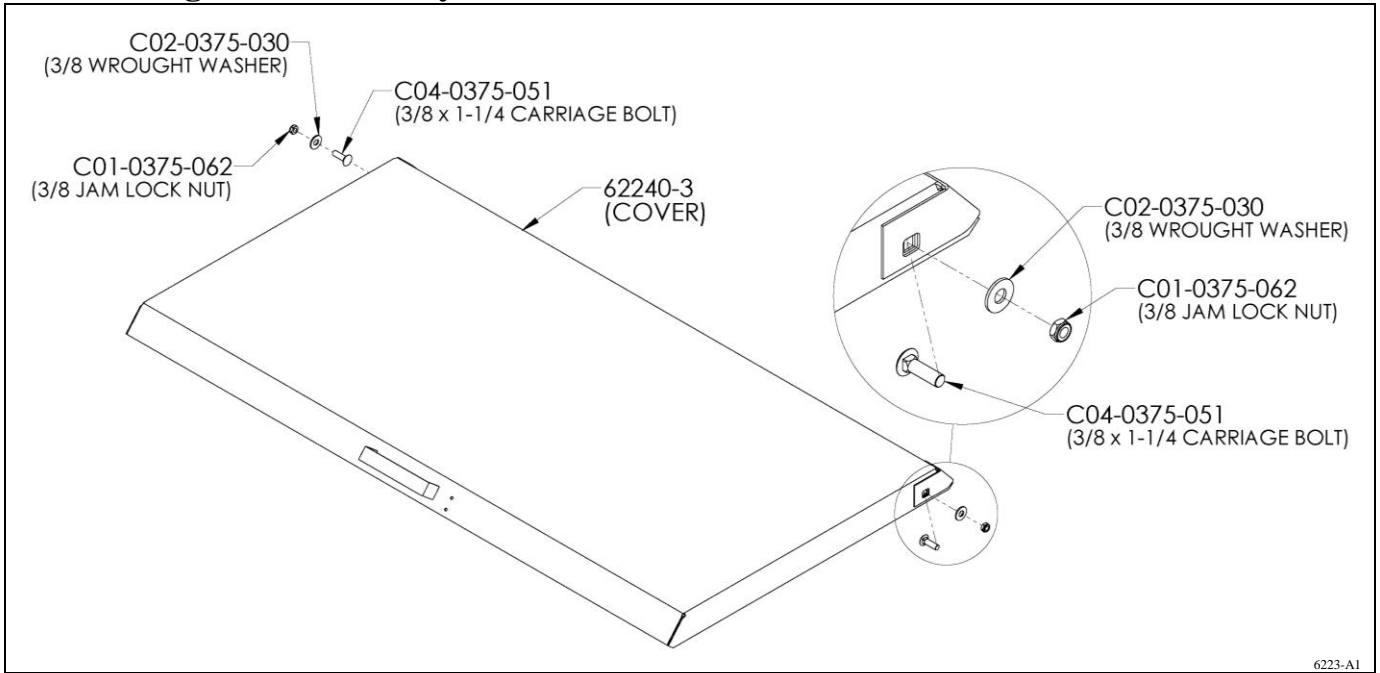
**1.....6216-D .....Air Pressure Gauge Carton:**

- 1 ..... C01-0312-030..... Whiz Flange Nut (5/16)
- 1 ..... C03-0312-041..... Hex Bolt (5/16 x 1)
- 2 ..... K04-0250-375 ..... Adapter Plastic, (1/4 MPT x 3/8 HB)
- 1 ..... K17-P734-001 ..... Air Pressure Gauge 4-inch
- 4.5 Ft ..... M06-0375-000..... Tubing 3/8 I.D. x 1/8 Wall (54-inches Long)
- 1 ..... 62851-46..... Mounting Bracket, Air Pressure Gauge
- 1 ..... 62851-47..... Clamp Bracket

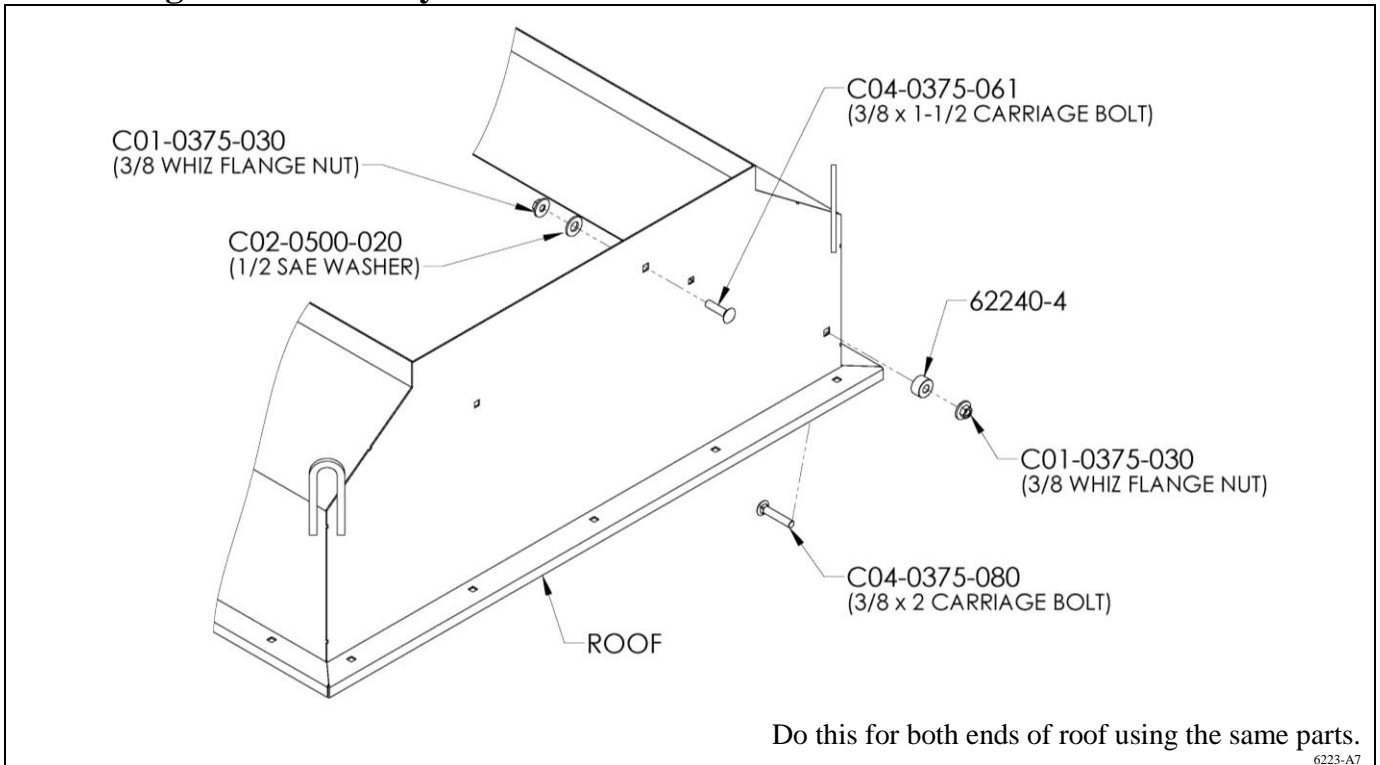
**1.....642-A .....Parts Carton**

- 8 ..... 09071598-5..... Stud Bolt (5/8 x 13-1/2)
- 8 ..... 550828-3..... Bar Clamp
- 4 ..... 550829-4..... Blank Plate (to Close off Unused Openings on Air Chamber)
- 4 ..... 62852-20..... Blank Plate (to Close off Unused Openings on Metering Door)
- 1 ..... 642-BH.....Hardware Bag**
  - 16 ..... C01-0625-010..... Hex Nut (5/8)
  - 16 ..... C02-0625-010..... Lock washer (5/8)

## Cover Hinge Bolt Assembly

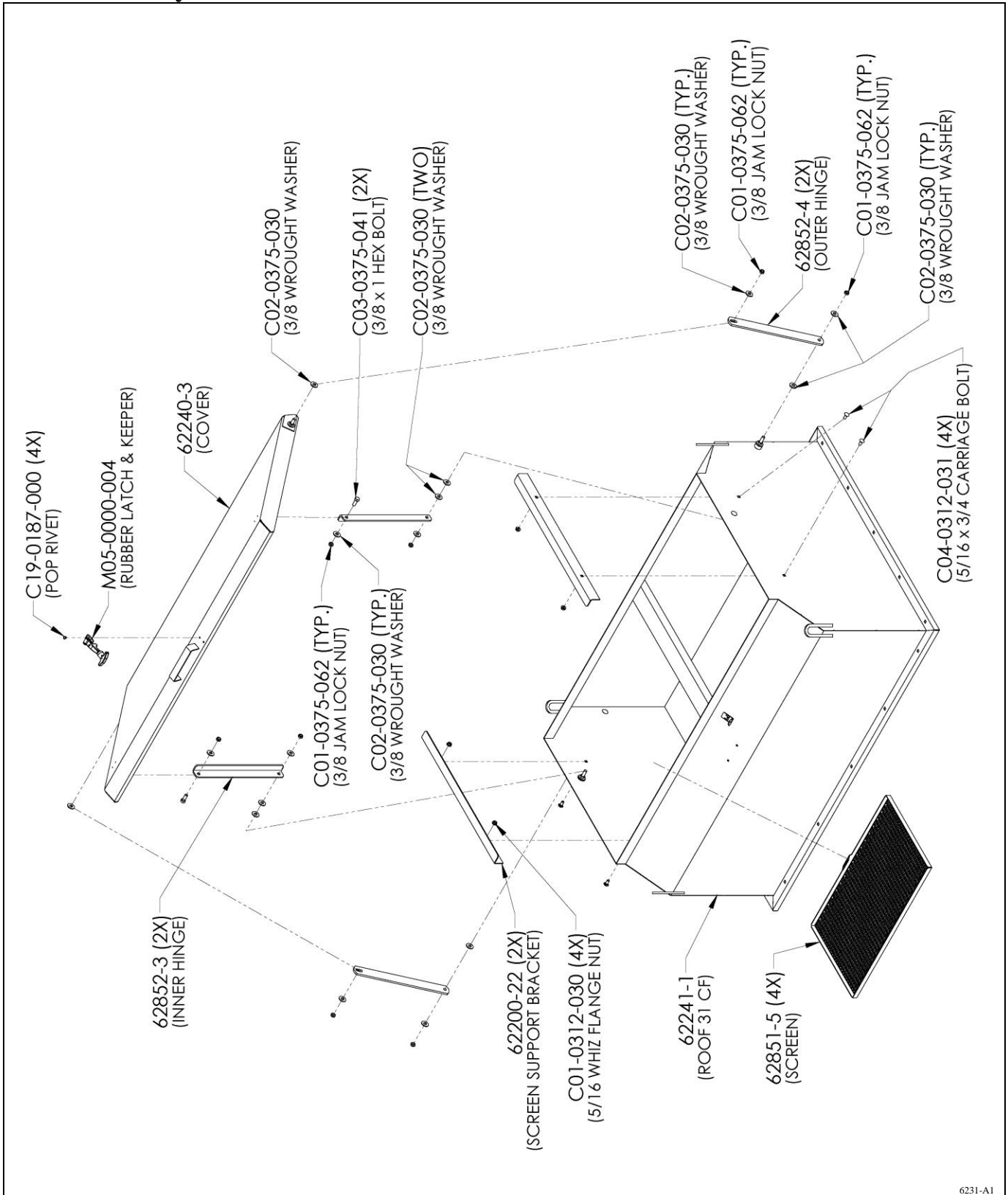


## Roof Hinge Bolt Assembly



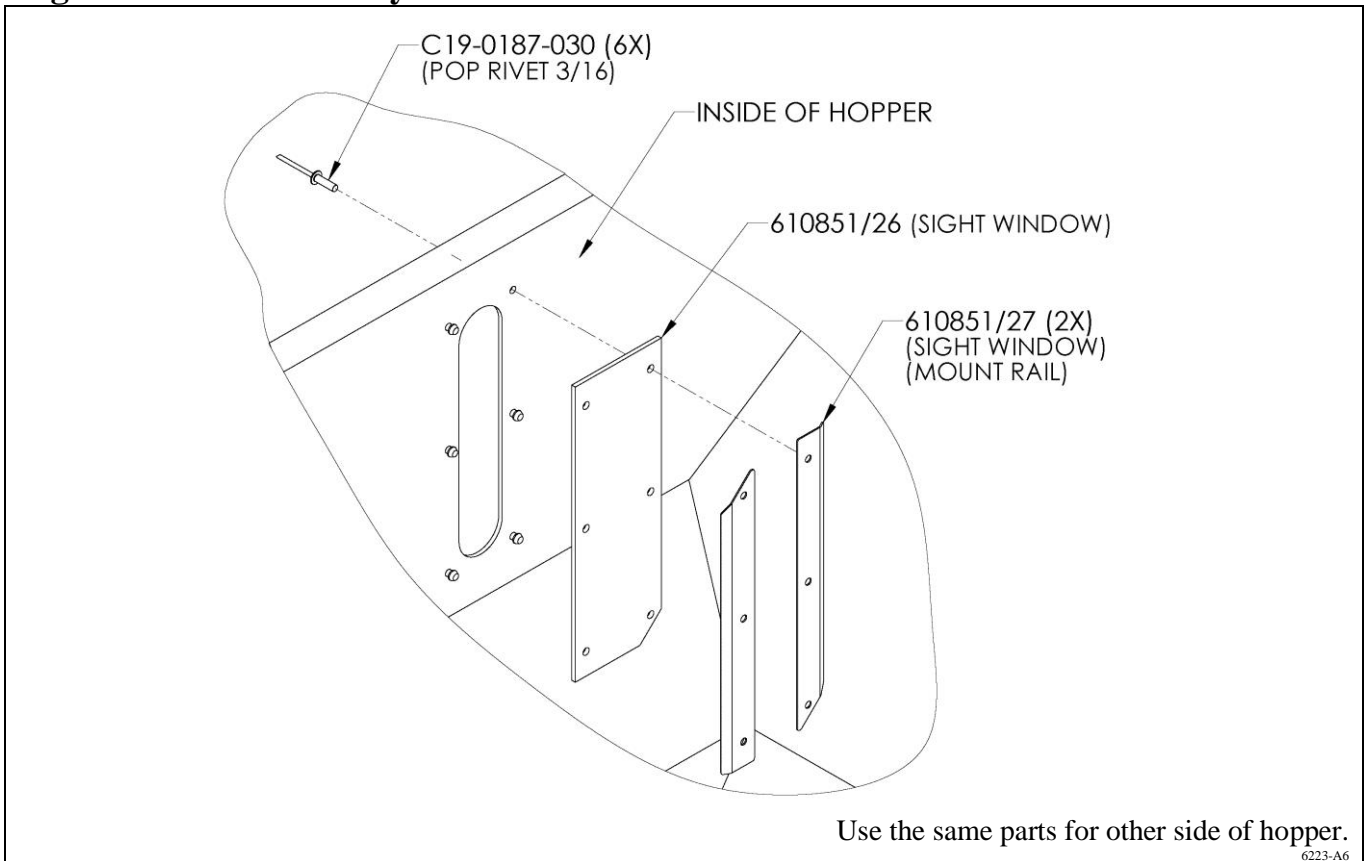


# Roof Assembly

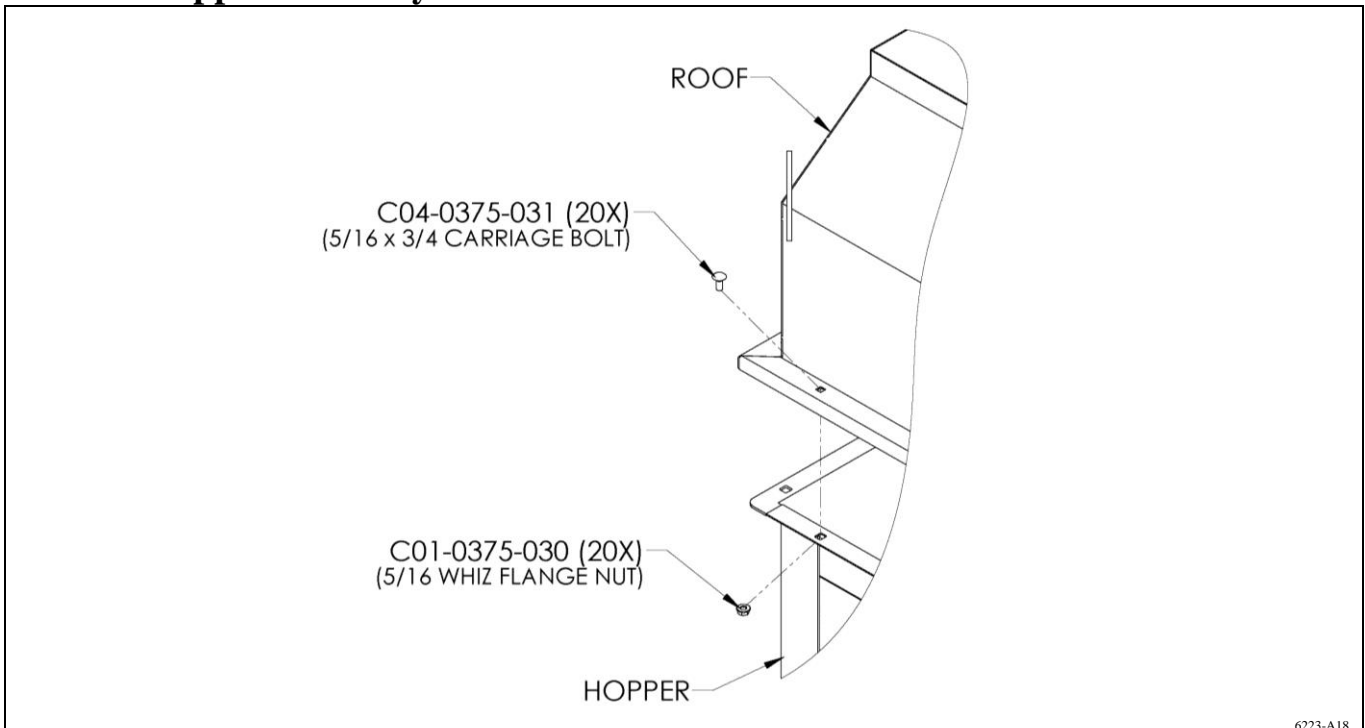


6231-A1

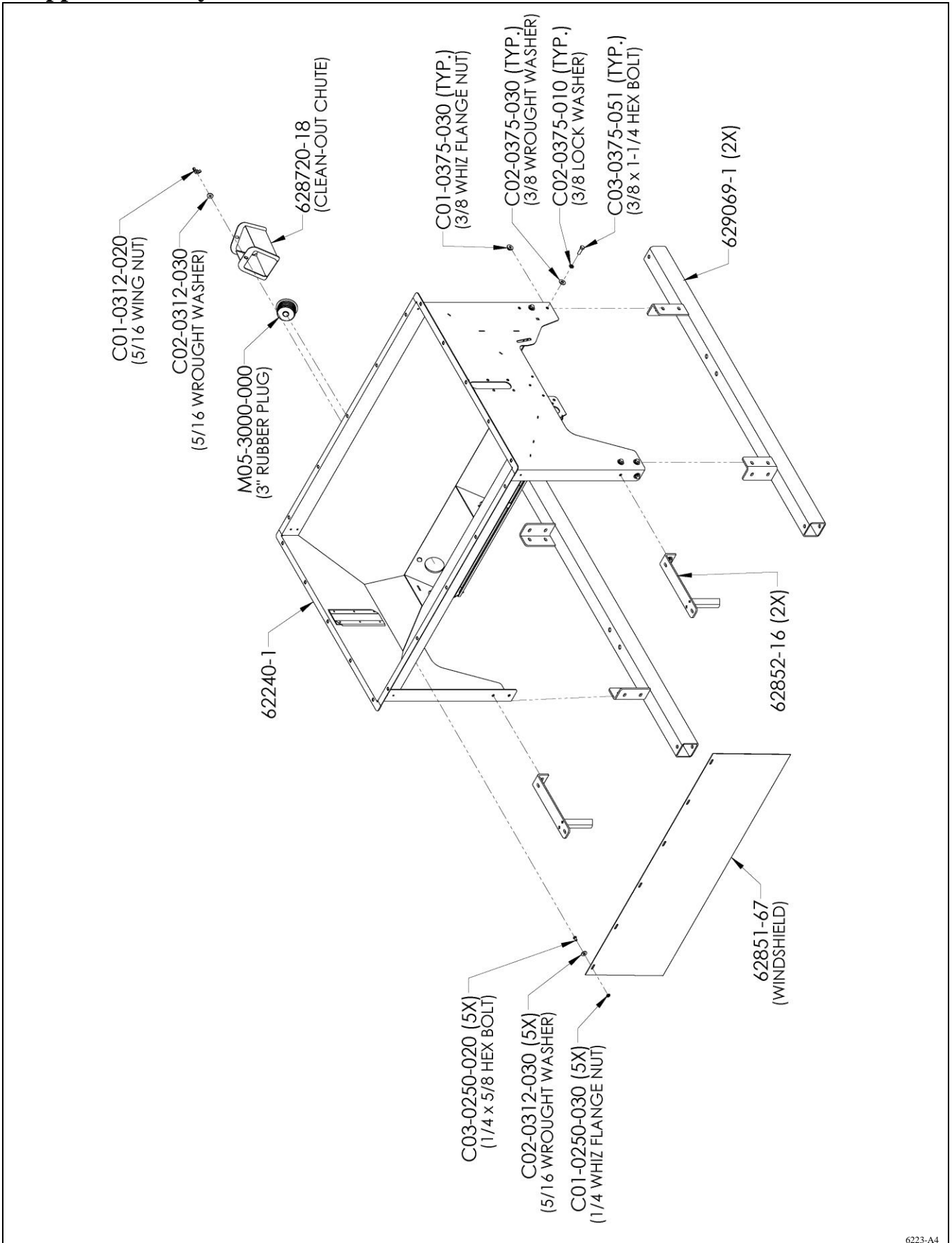
## Sight Window Assembly



## Roof to Hopper Assembly

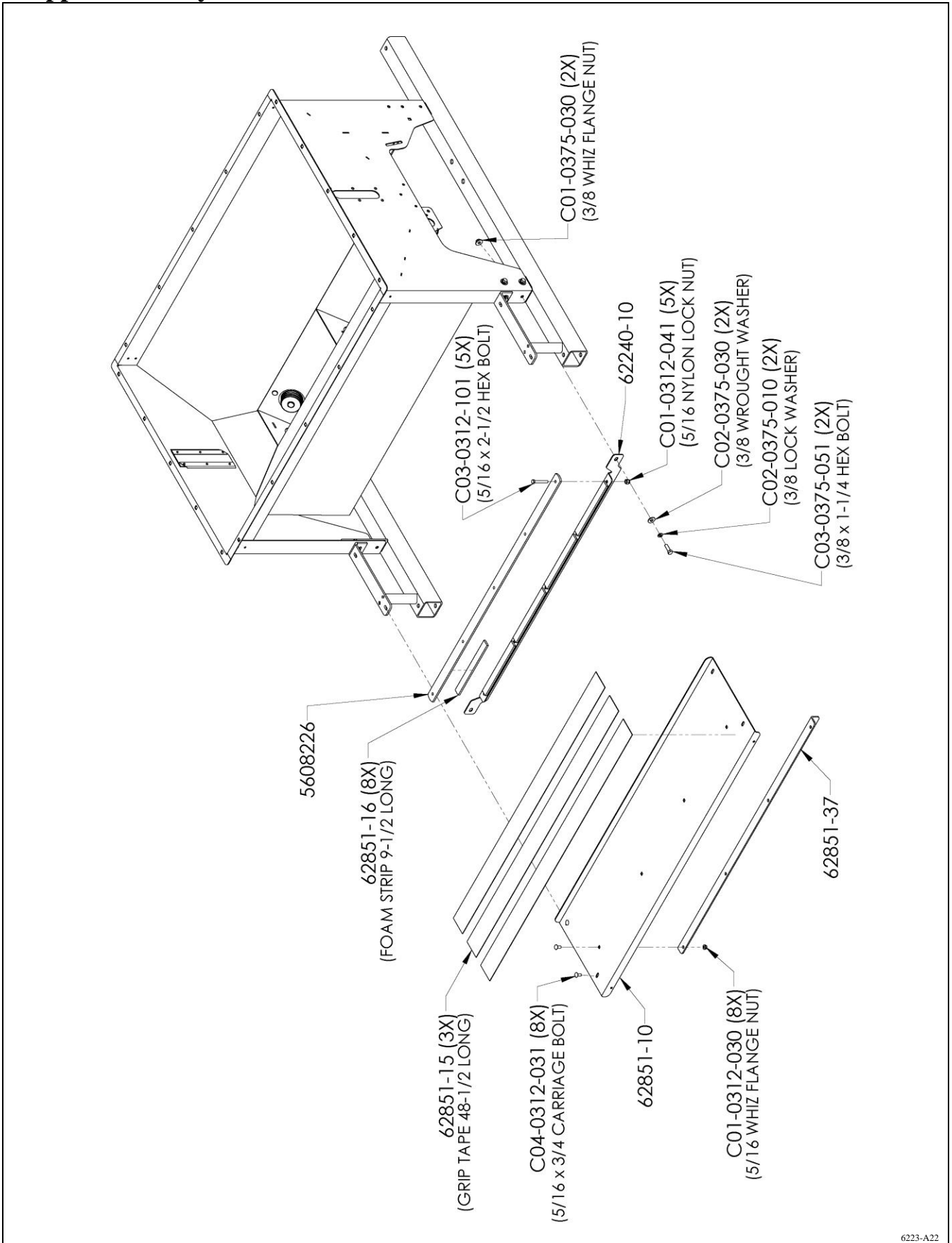


# Hopper Assembly



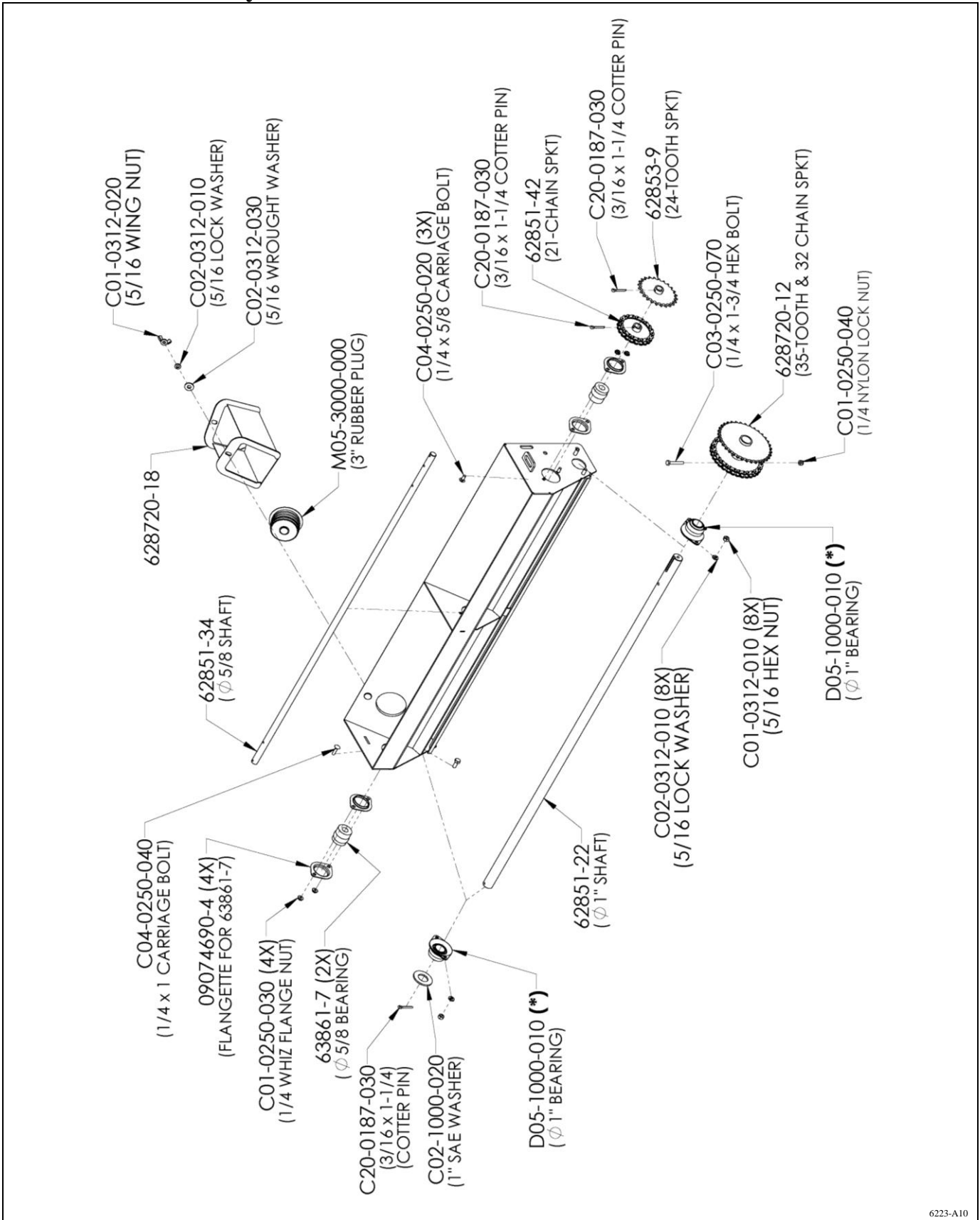
6223-A4

# Hopper Assembly



6223-A22

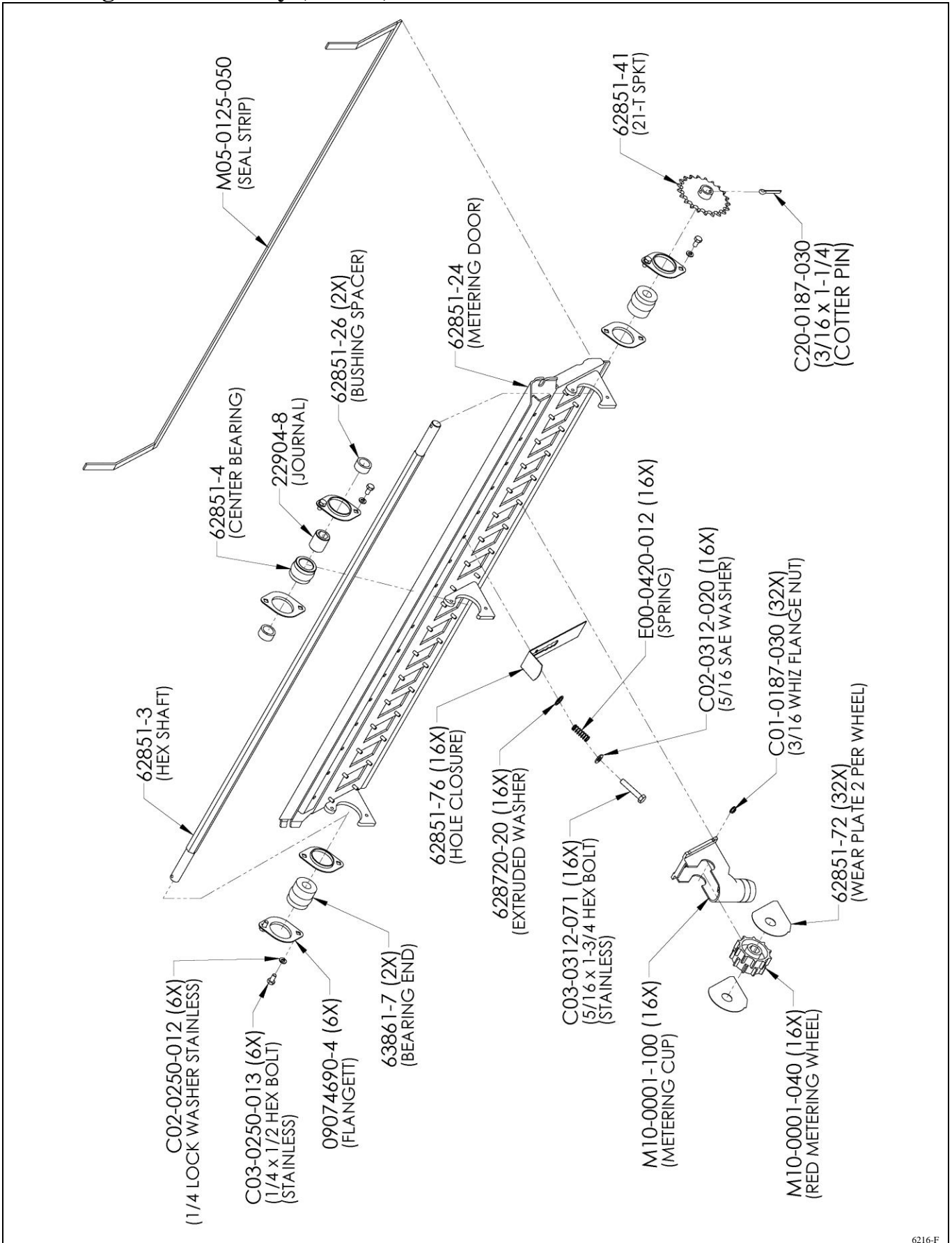
# Drive Shaft Assembly



6223-A10

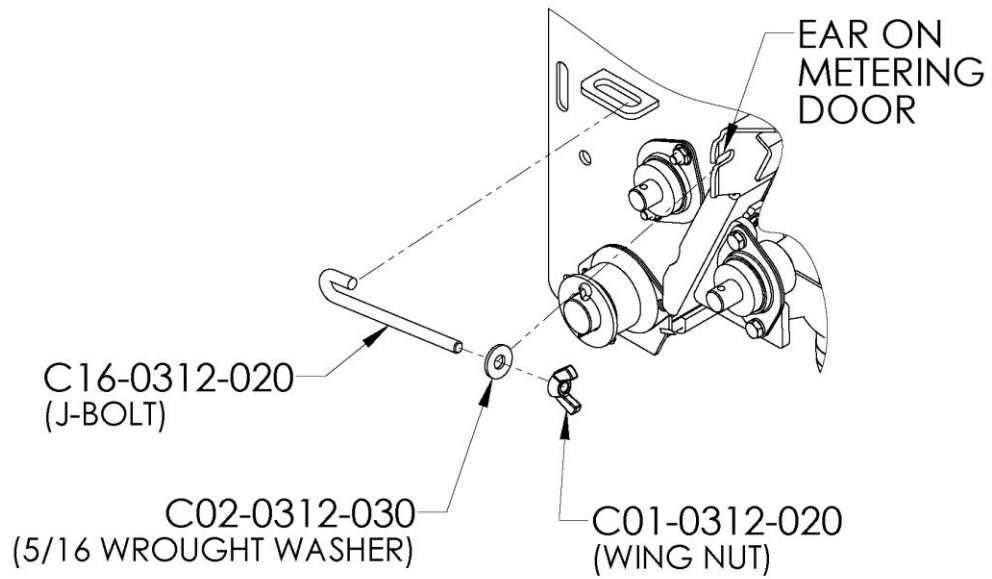
**Part numbers with a (\*) behind them have grease fittings. See last page.**

# Metering Door Assembly (6216-F)

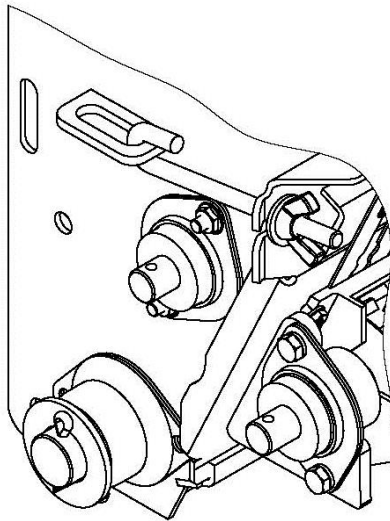


6216-F

**Fastening Metering Door in Place (use one J-Bolt on each end of metering door)**

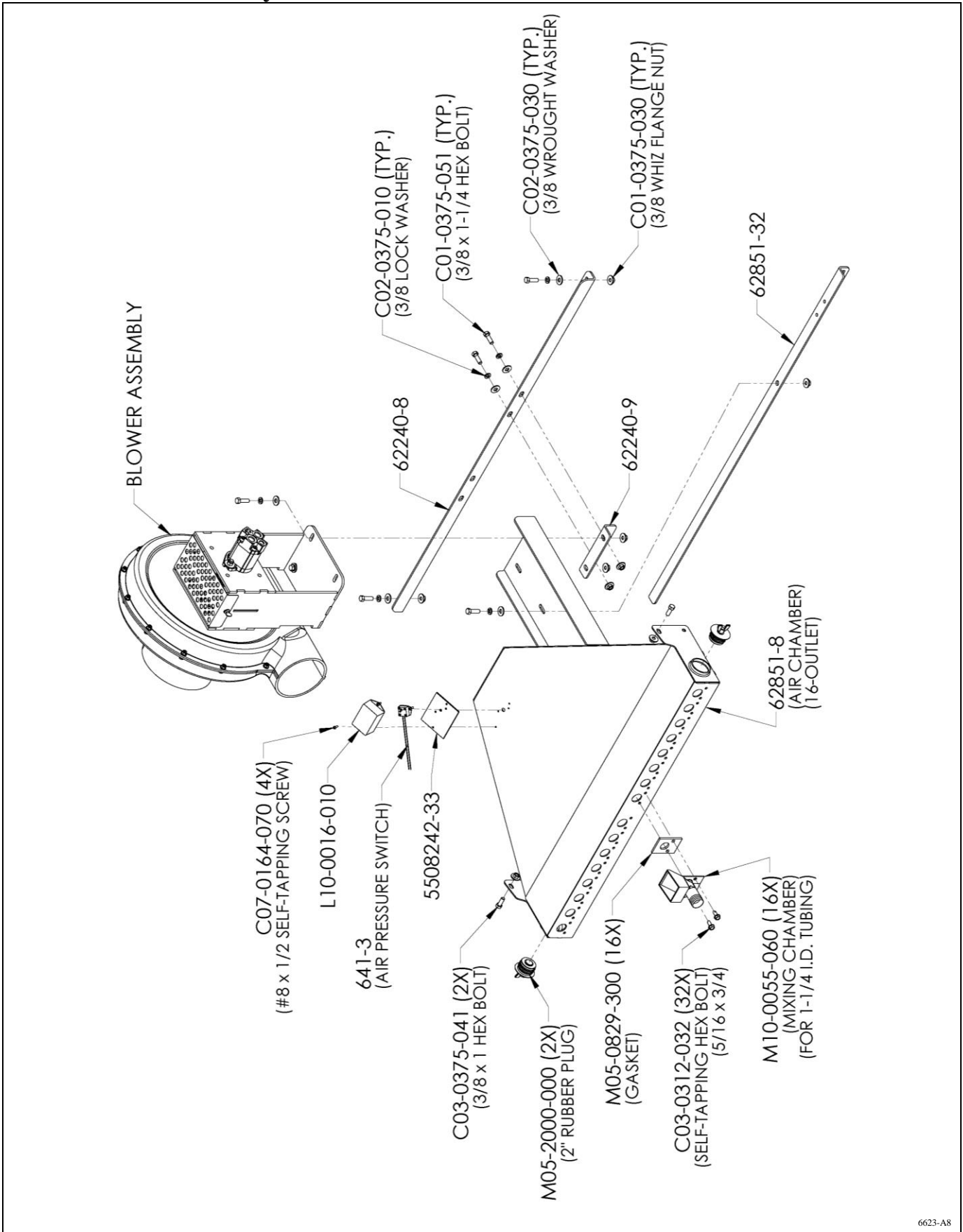


**J-bolt shown in place.**



6223-B5

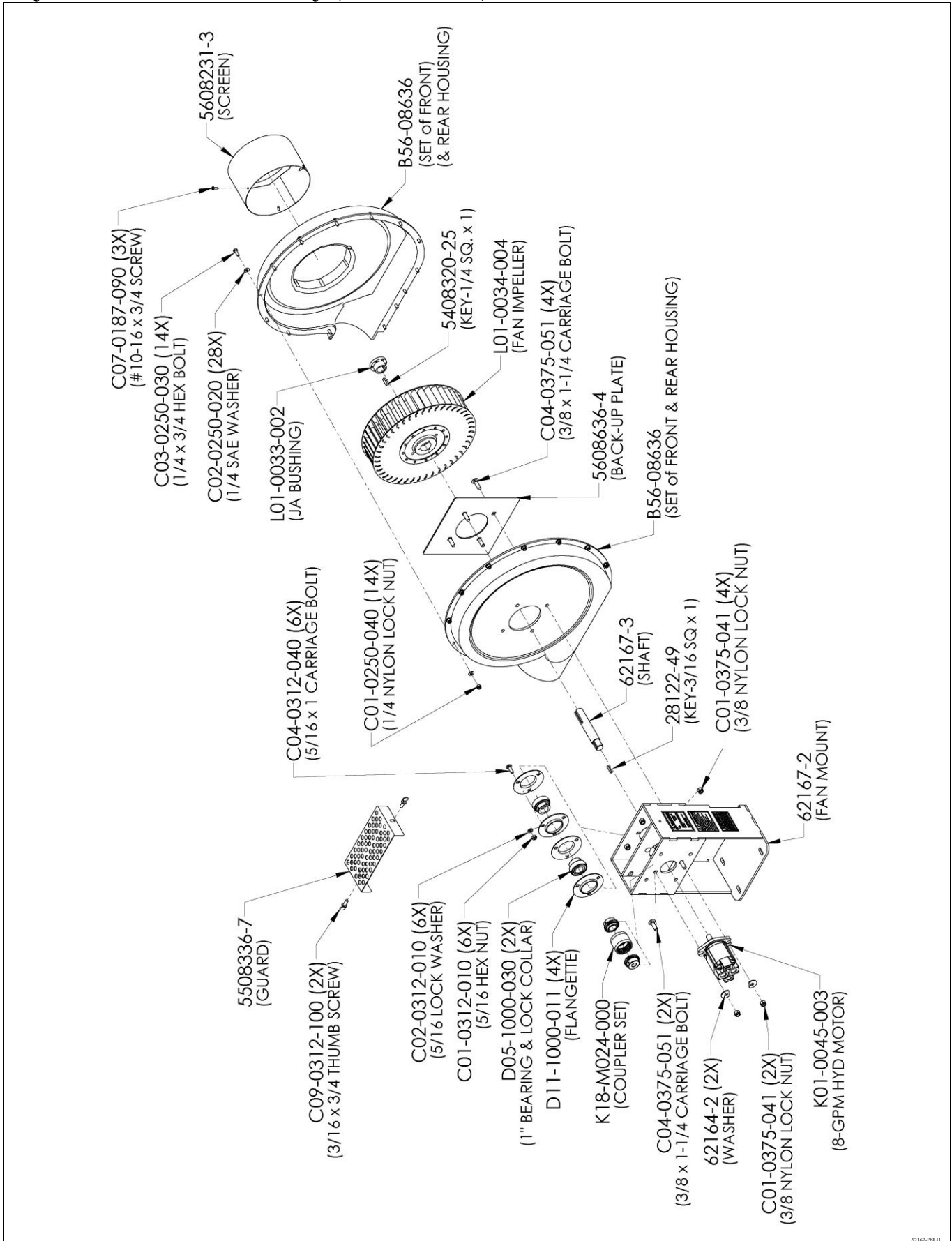
# Air Chamber Assembly



6623-A8

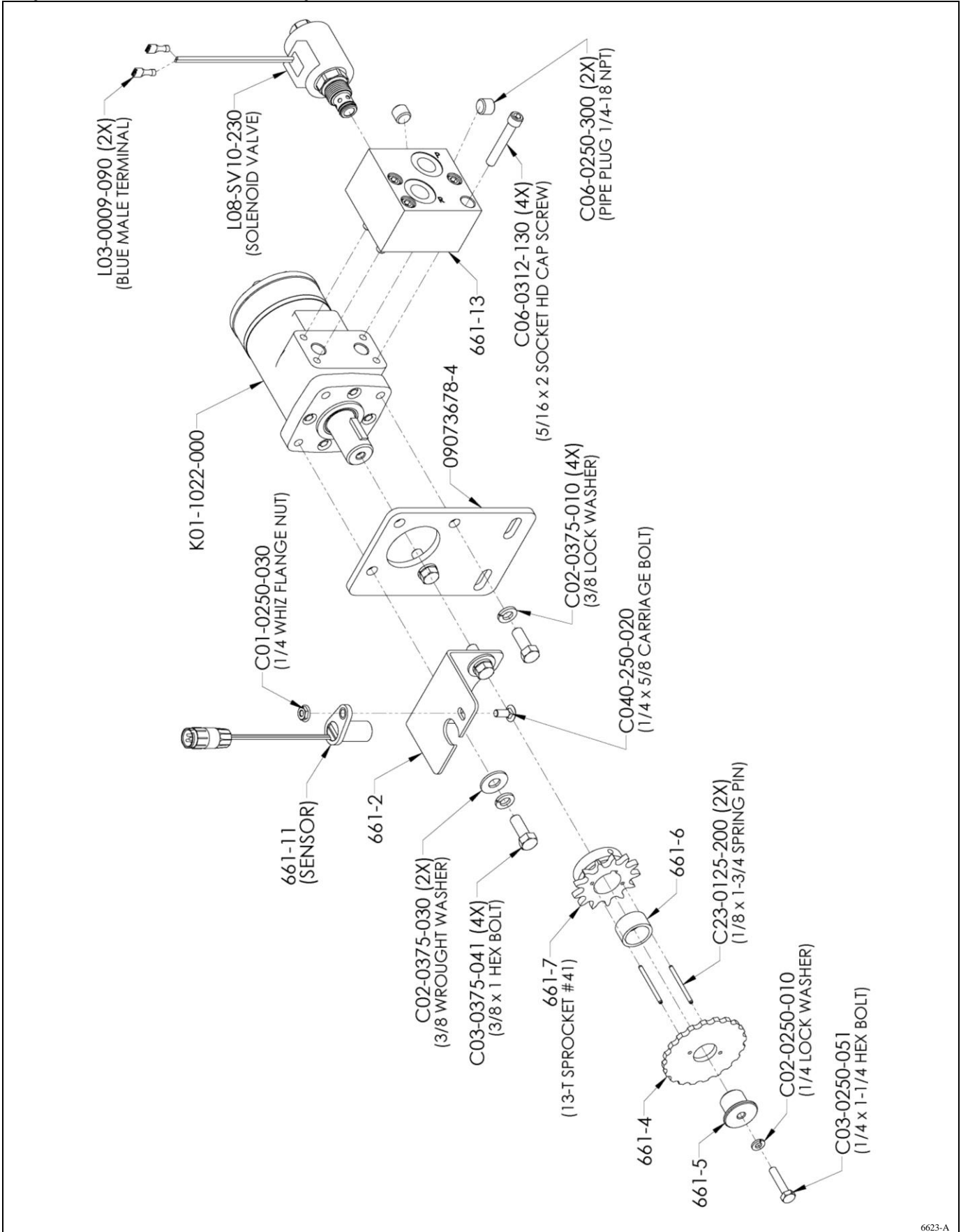


# Hydraulic Blower Assembly (62167-P8LH)



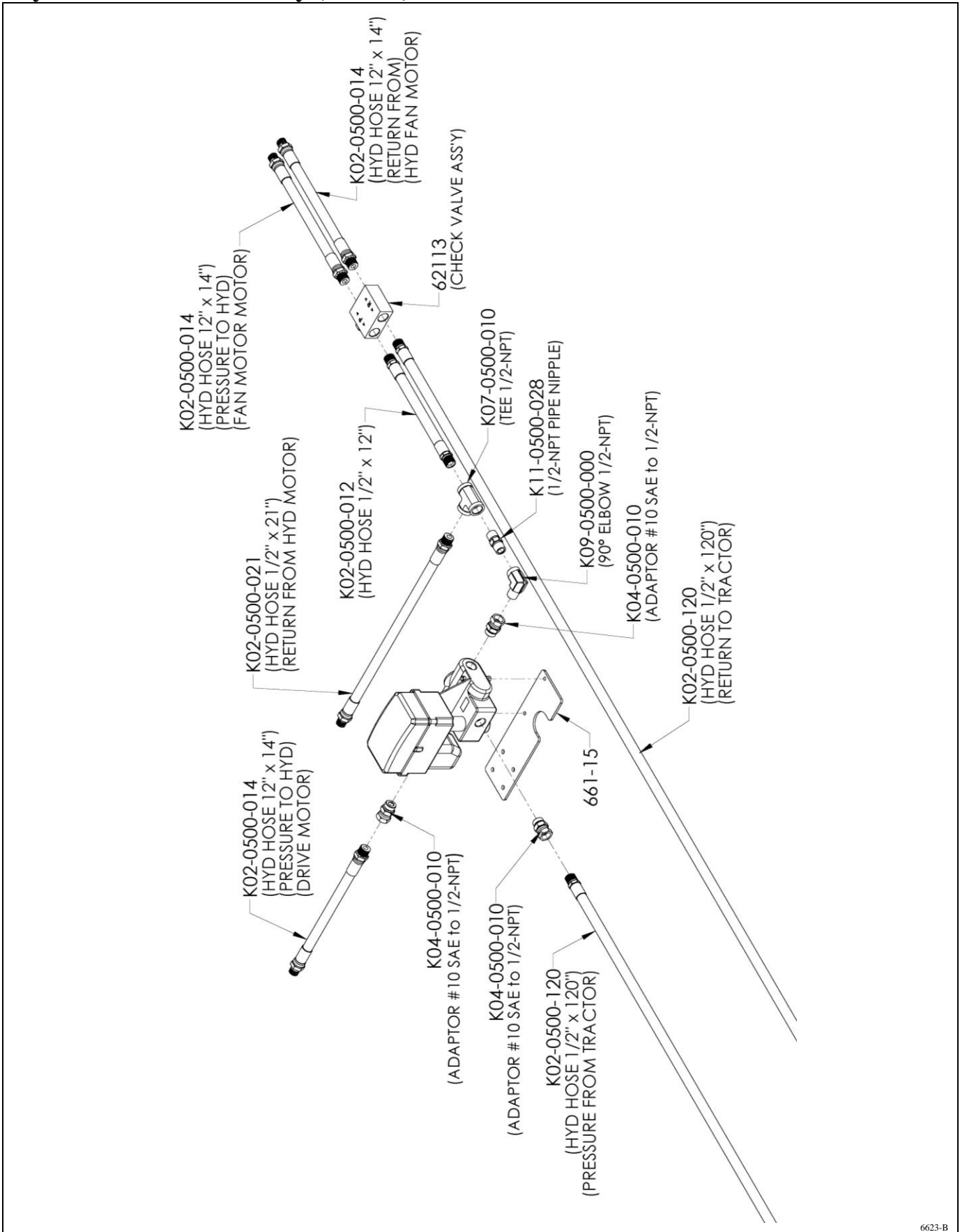
62167-P8LH

# Hydraulic Motor Assembly (6623-A)



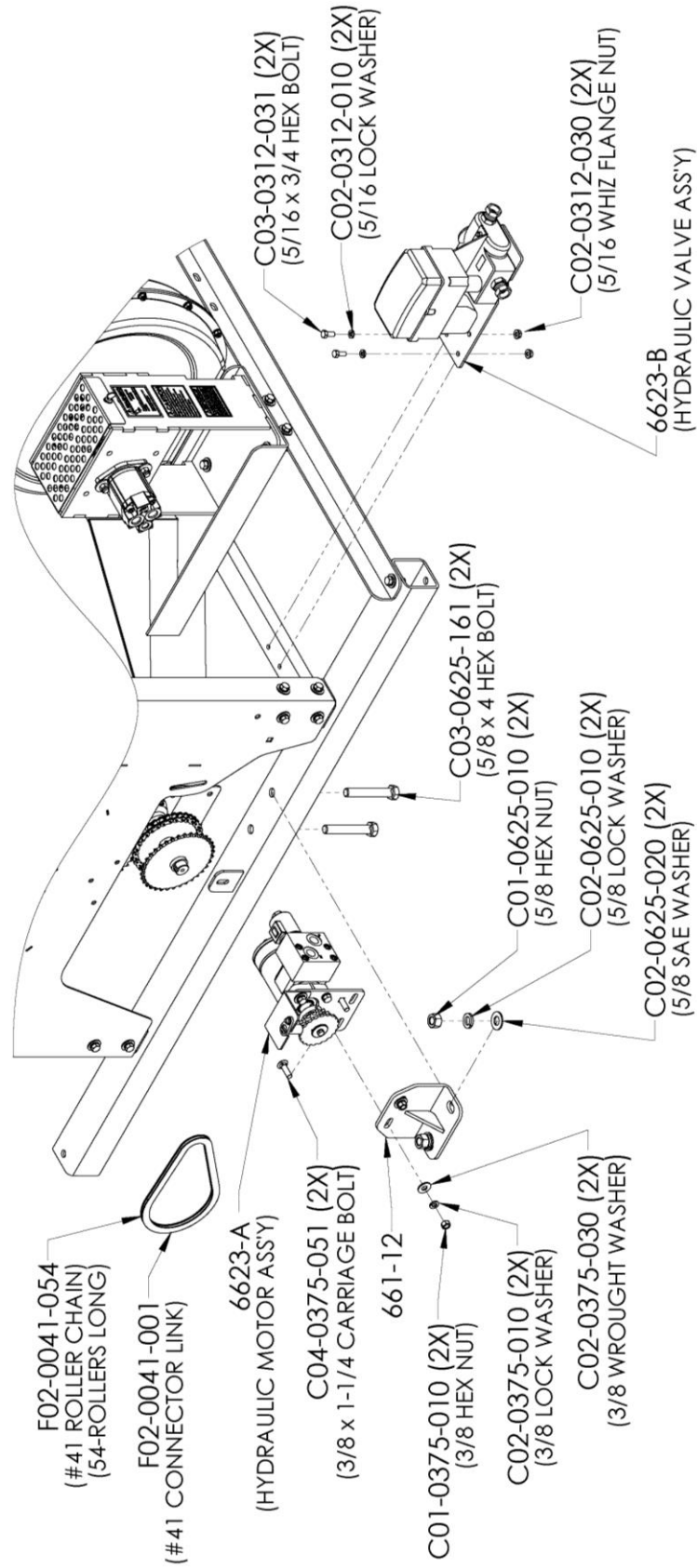
6623-A

# Hydraulic Valve Assembly (6623-B)



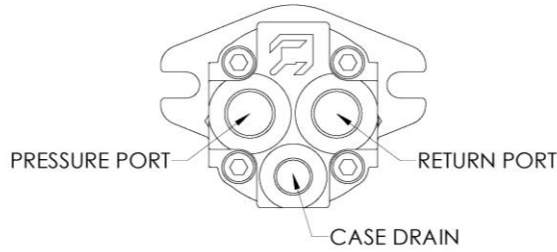
6623-B

# Hydraulic Drive Assembly

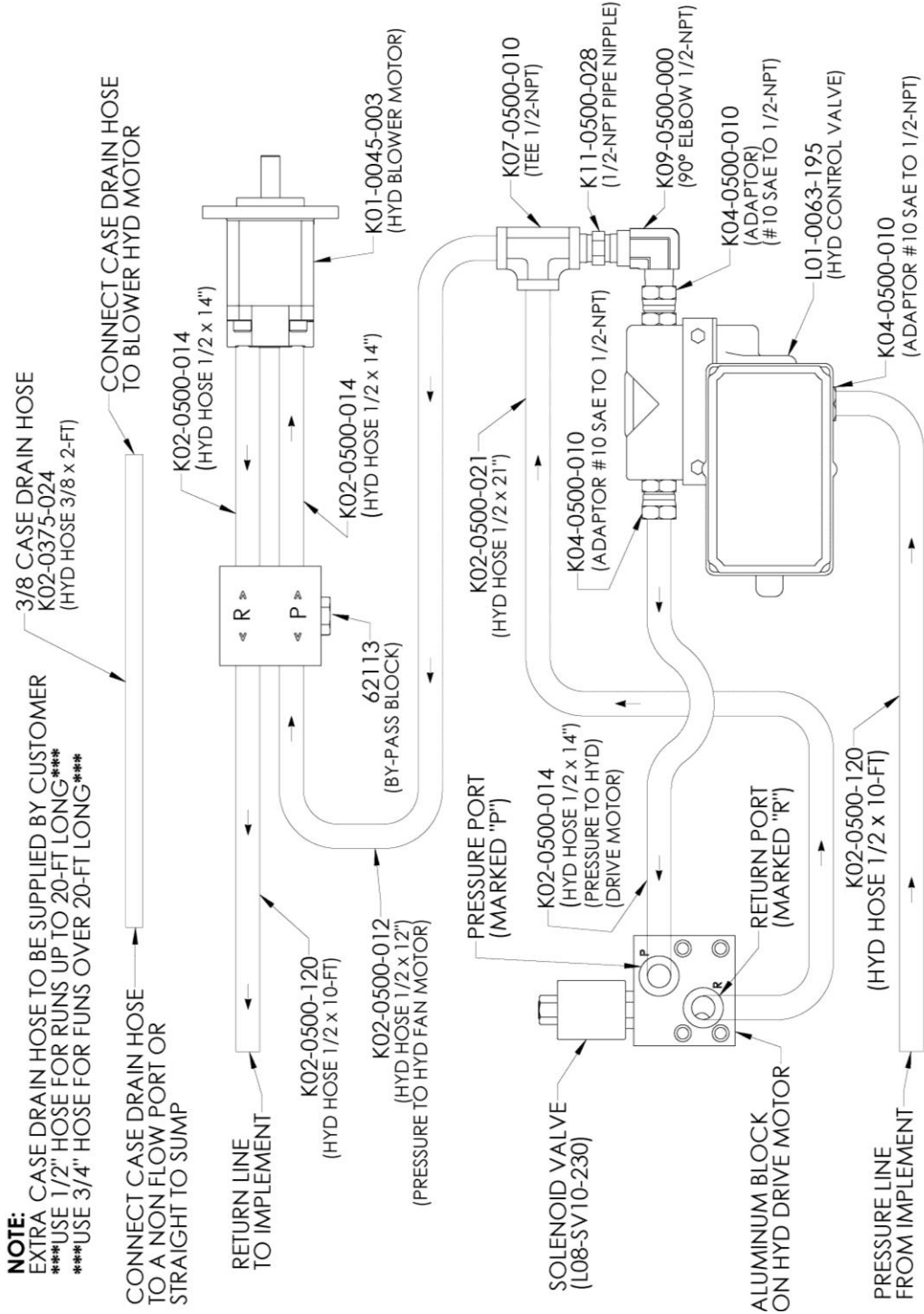


6623FS-A

# Hydraulic Motor Hose Connections (Casappa 8-GPM Motor on Gandy Fan)



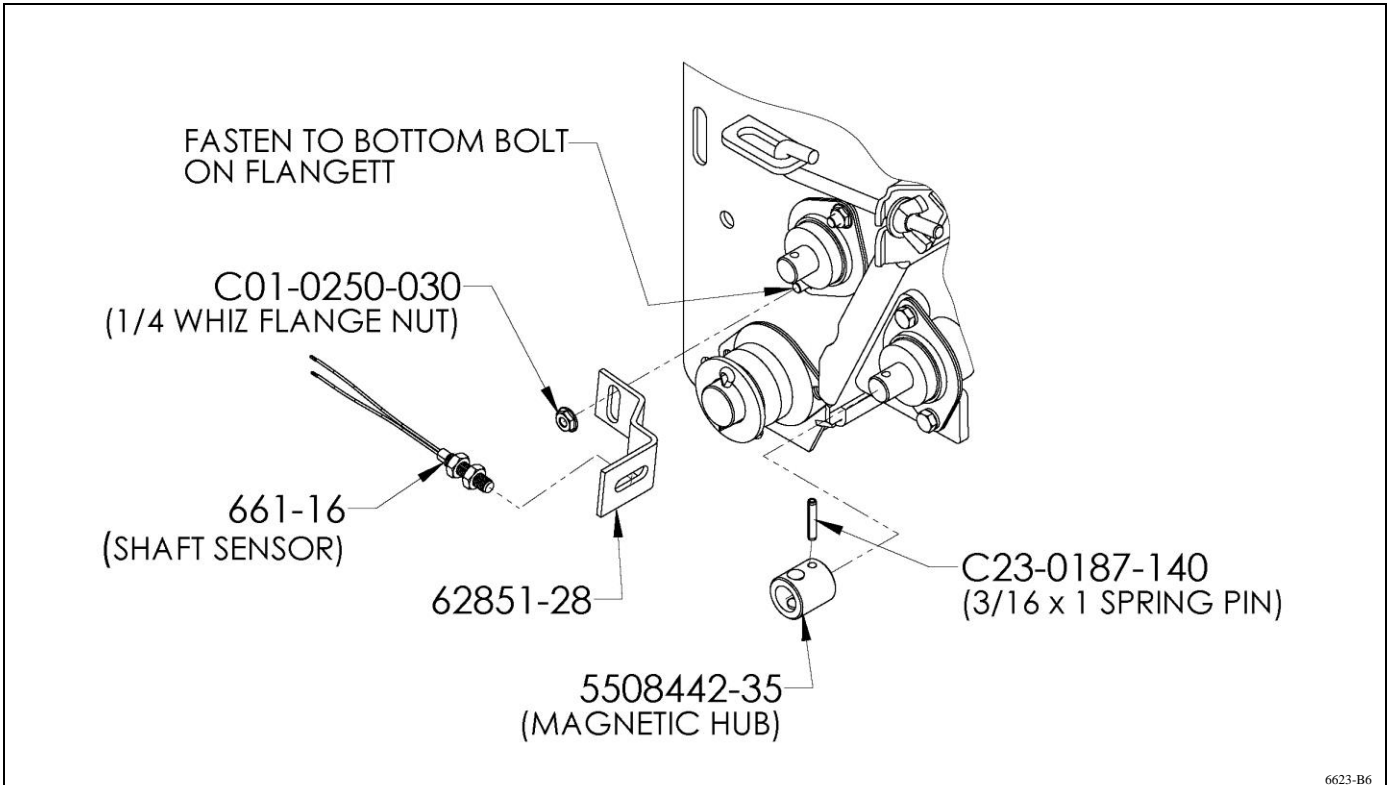
K01-0045-003



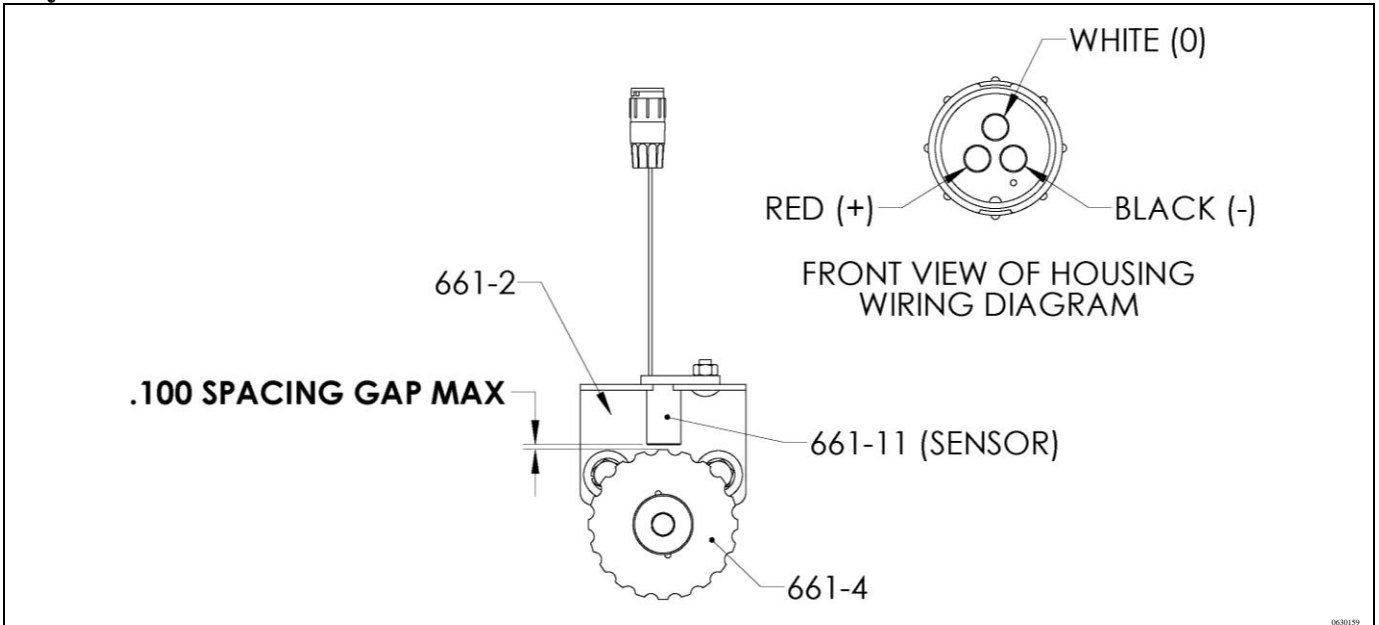
623-B1



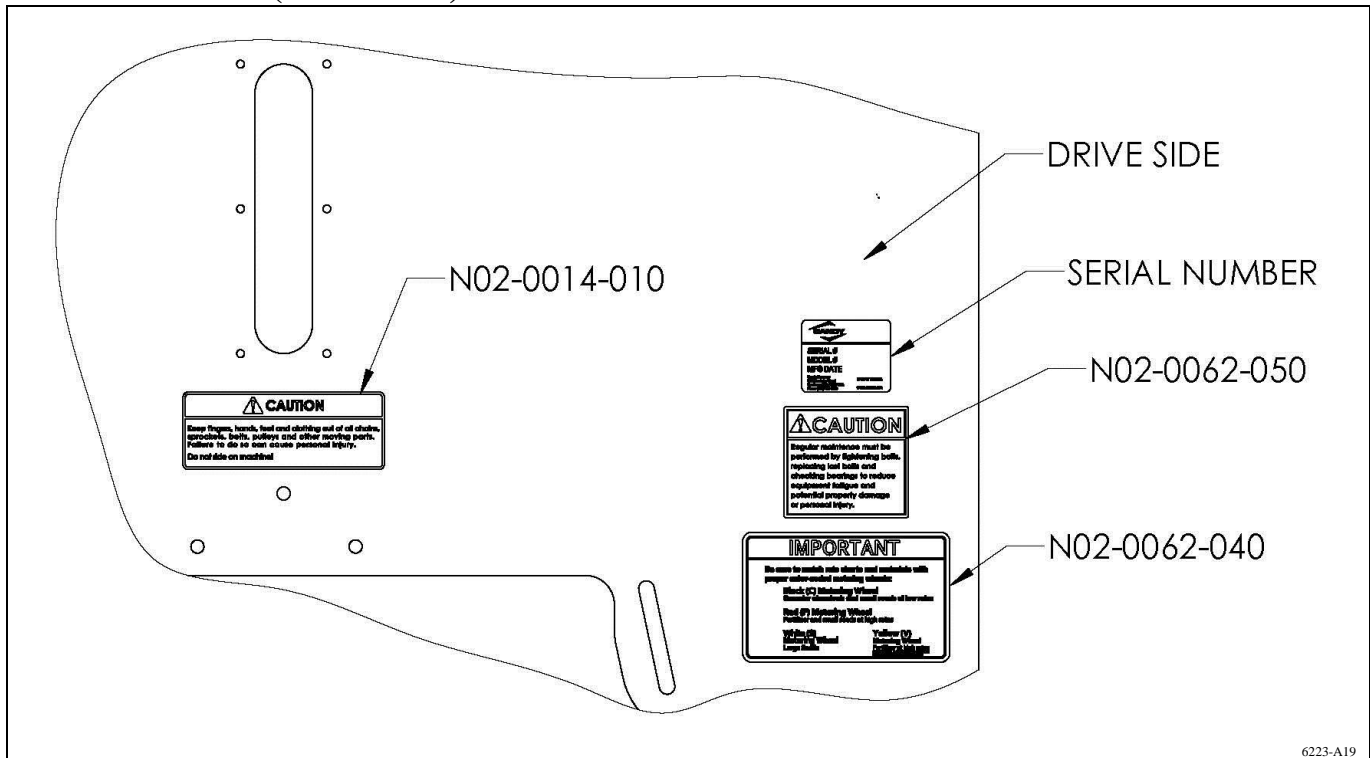
## Shaft Sensor



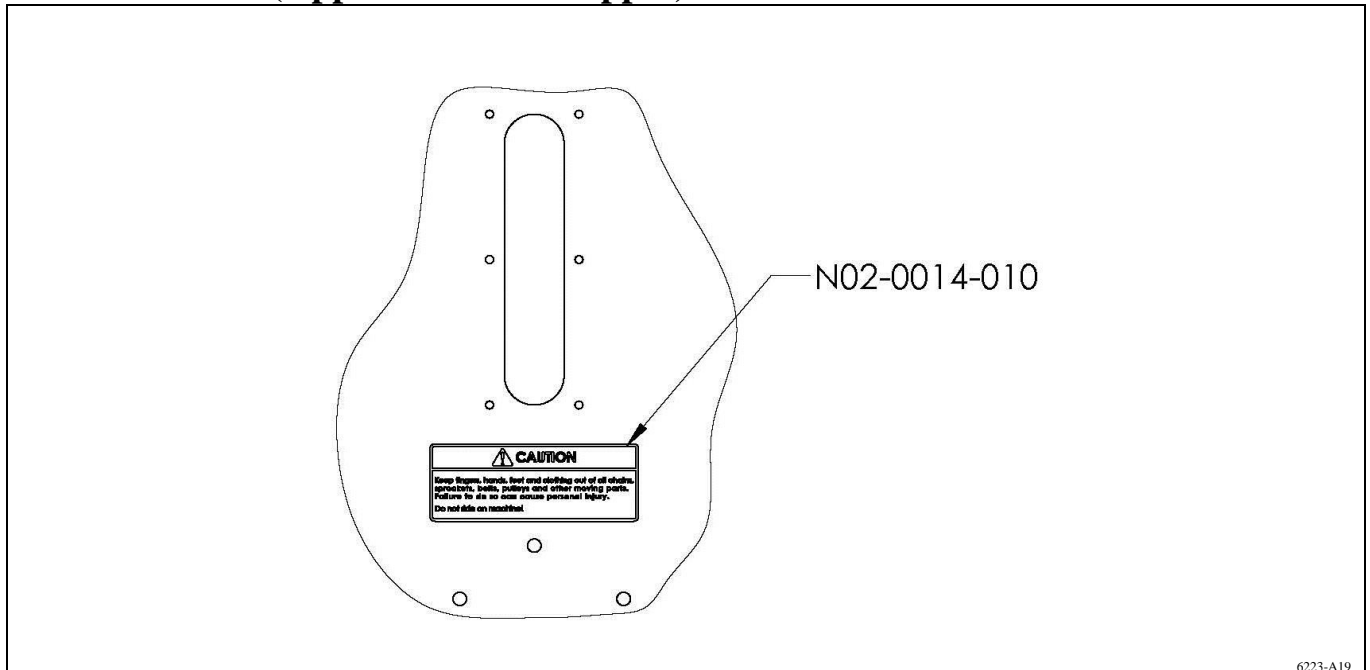
## Hydraulic Drive Sensor



## Decal Location (Drive Side)

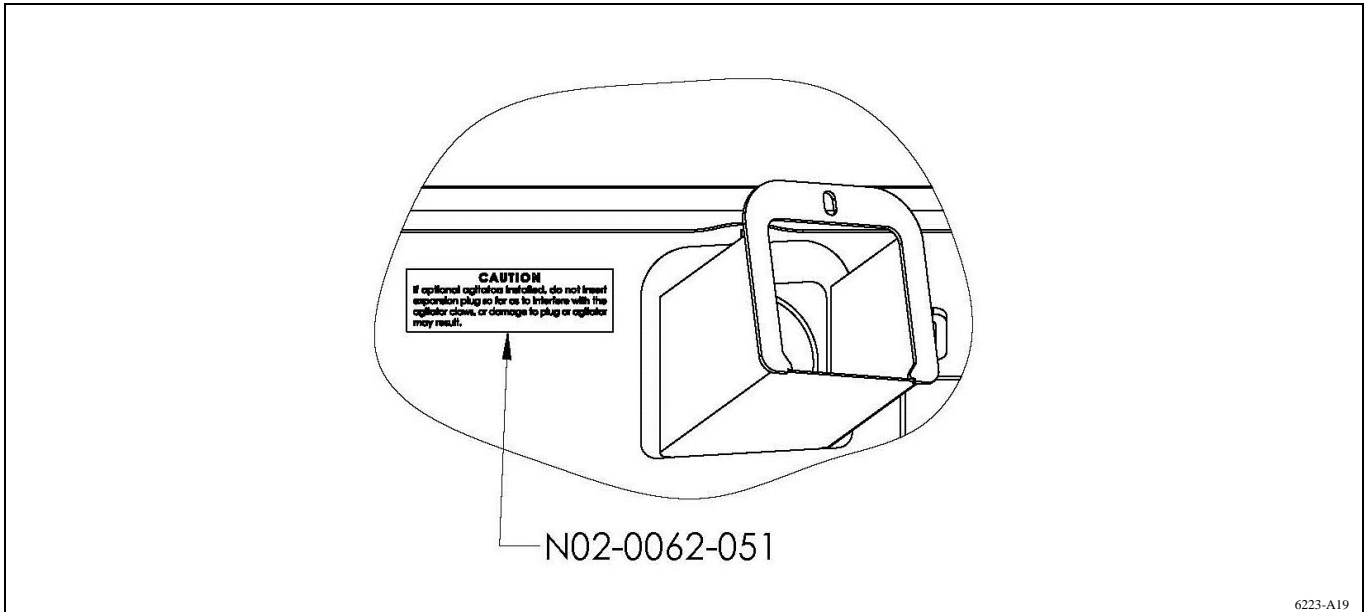


## Decal Location (Opposite Side of Hopper)

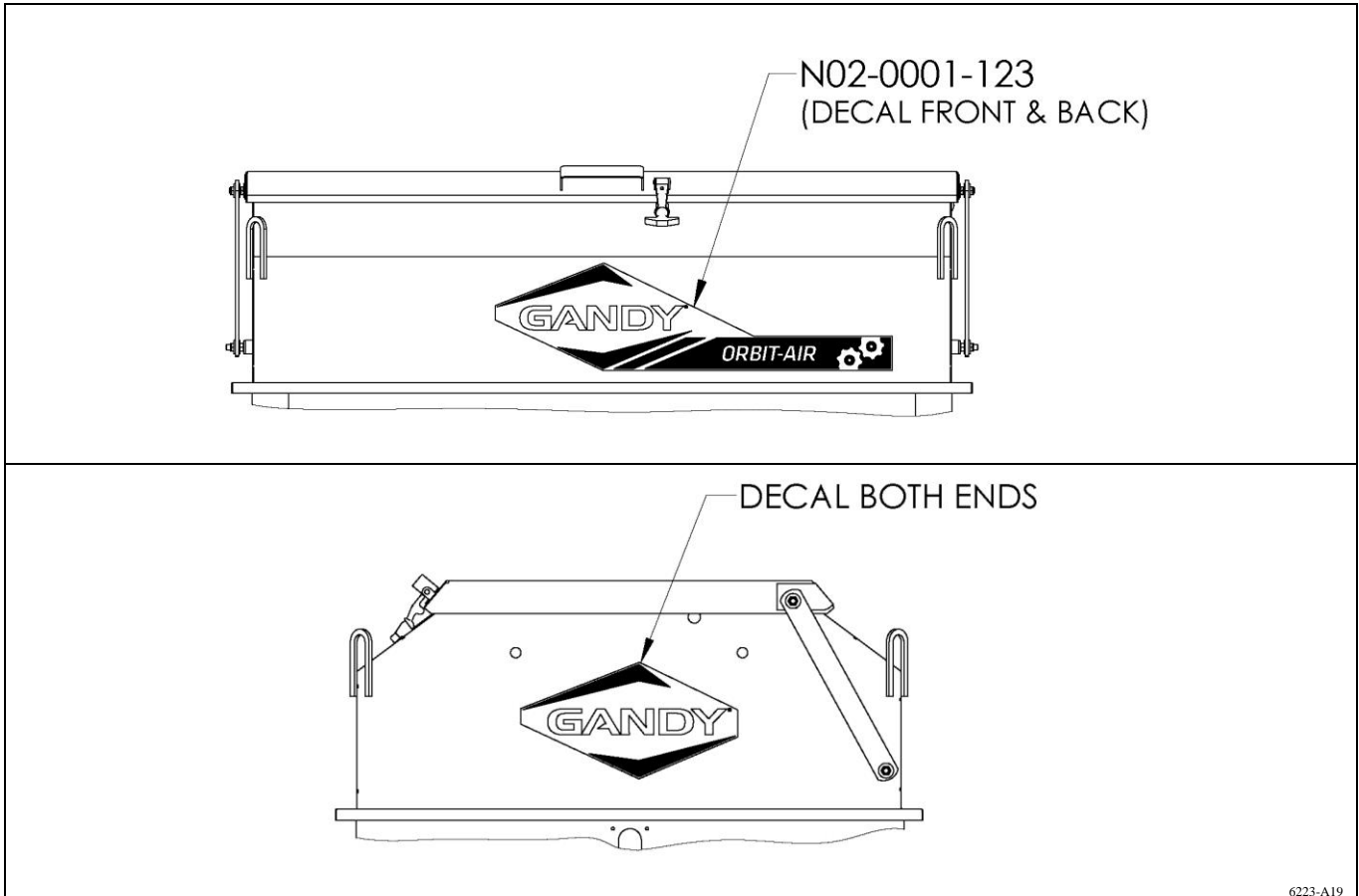




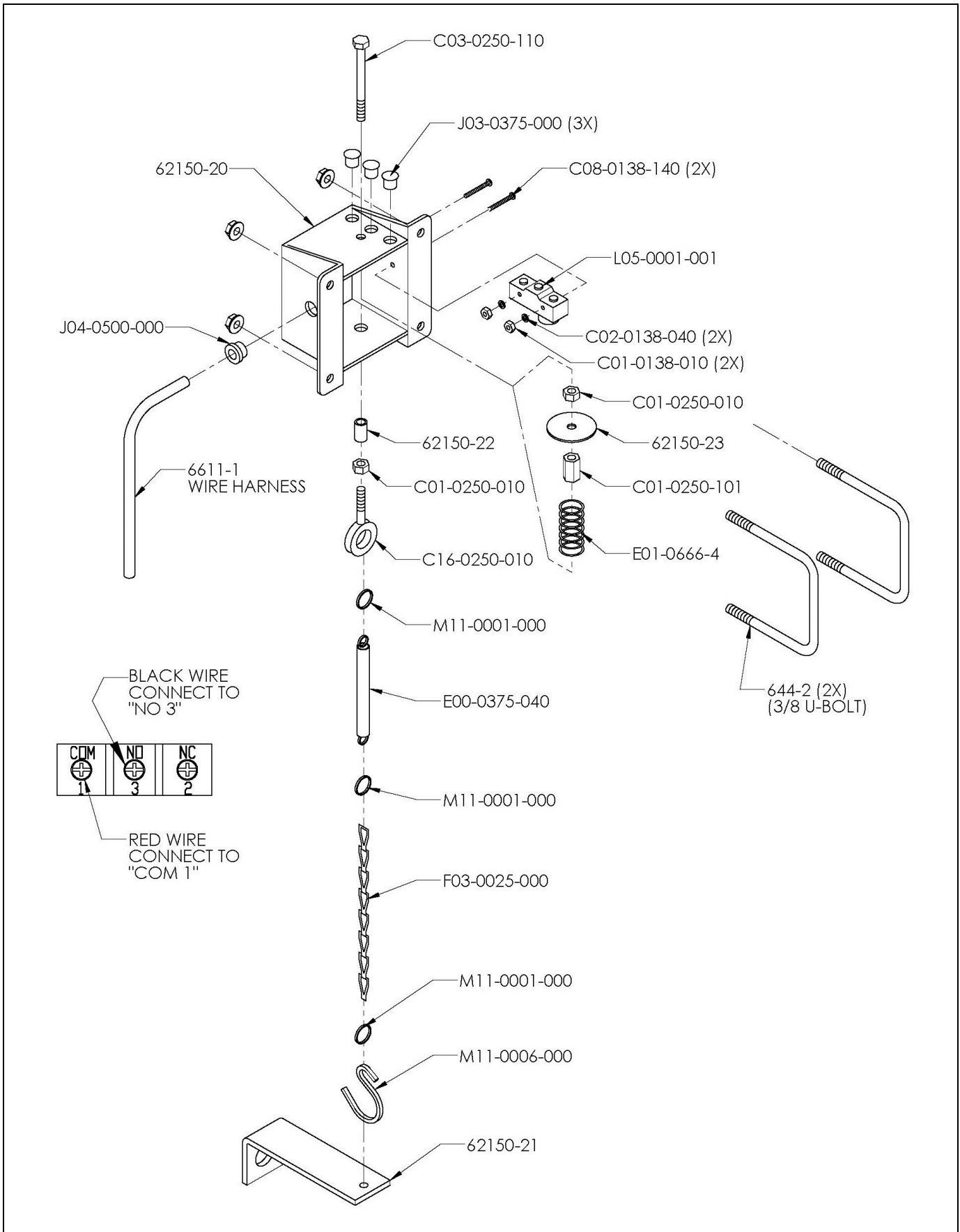
## Clean-Out Decal Location



## Front & Rear & End Decals

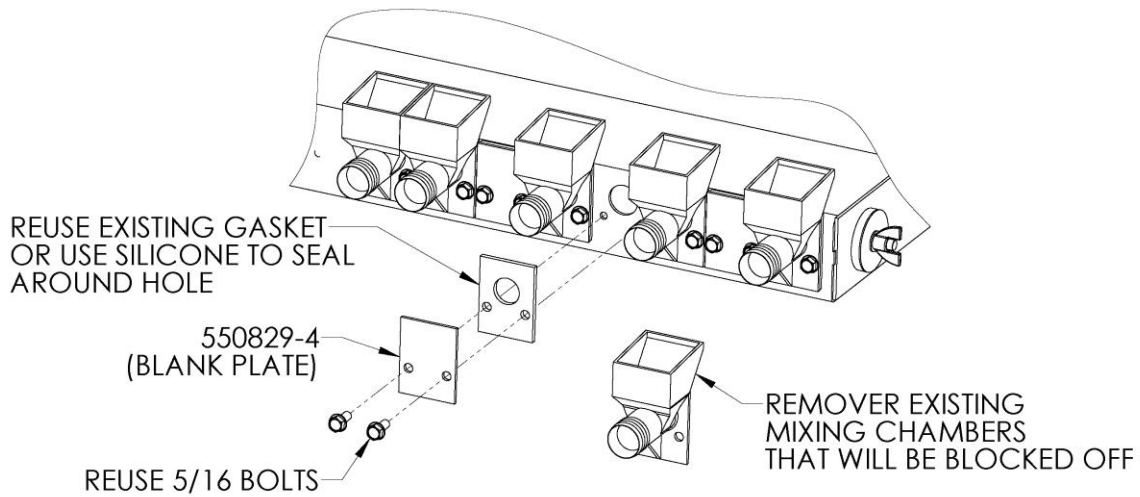


# Run Hold Switch



### Air Chamber Blank Plates:

Blank Plate (550829-4) is used to block off unused air chamber openings when not needed.

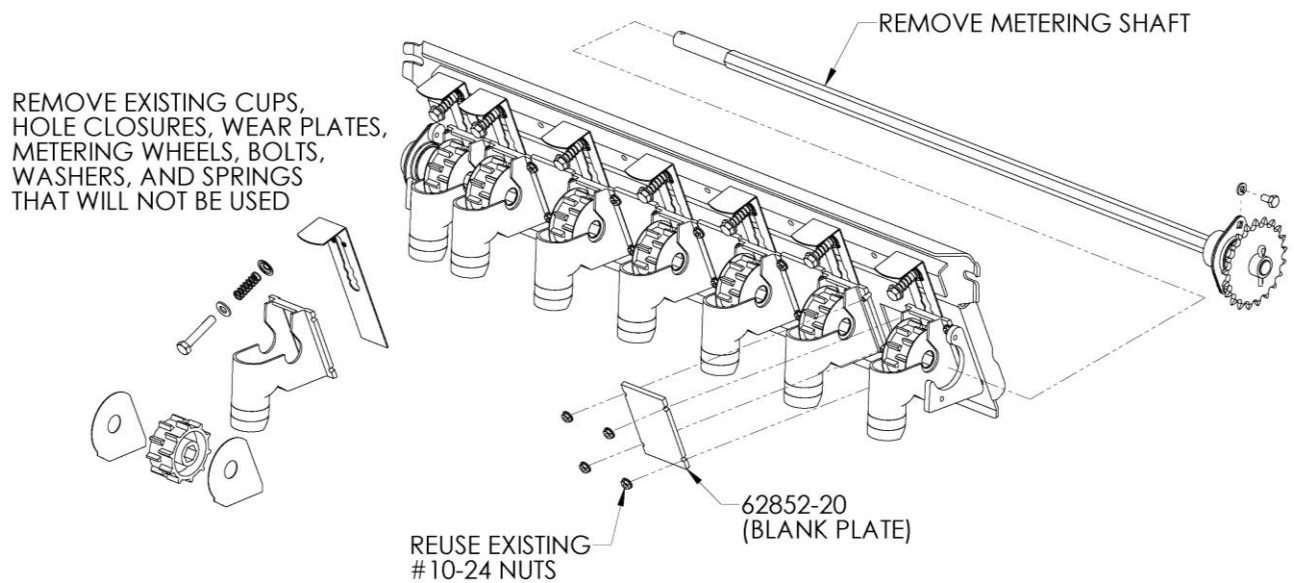


6223-A23

### Metering Door Blank Plate:

Blank Plate (62852-20) is used to block off unused metering door openings when not needed.

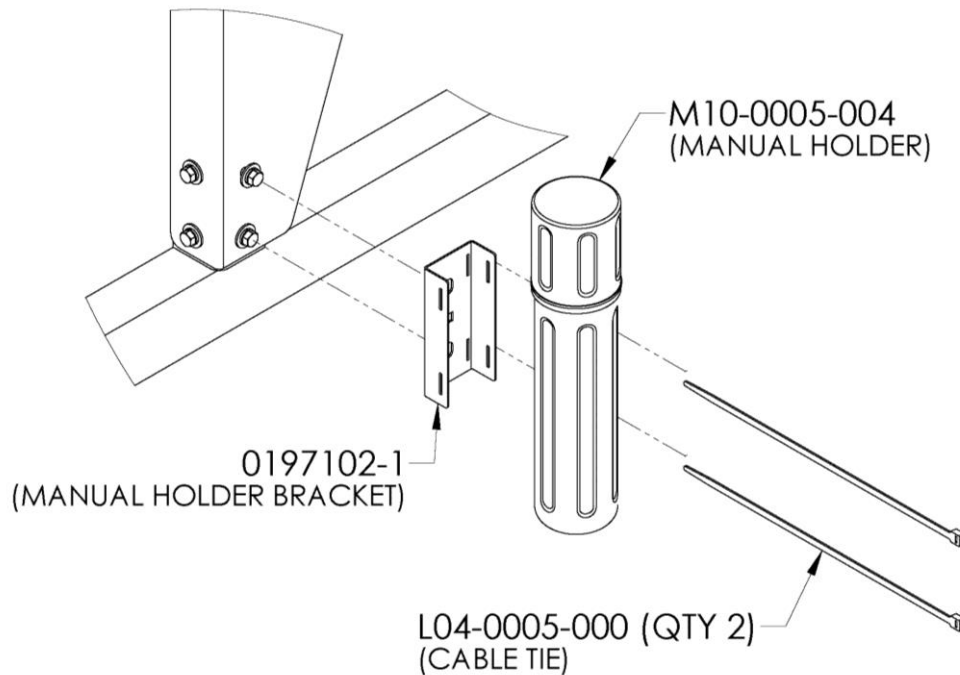
To remove shaft; First remove sensor hub from shaft, then unbolt bearing flange by sprocket on metering shaft and pull shaft out. Reassembly by reversing instructions.



6223-A24

## Manual Holder Bracket

Mount manual holder to corner of hopper or convergent location on implement.  
Store Operator's manual, Packing List & Rate Chart of convergent access.



HOLDER-1

## Maintenance

**Check all bolts for tightness after first two hours of use; check periodically thereafter.**

**Grease all fittings regularly.**

There are **Two** grease fittings on this hopper. These **must** be greased before use and periodically during use.  
Locations: See page 13.

One grease fitting on each 1-inch bearing (D05-1000-010) (two) located on the 1-inch drive shaft (62851-22).

Lucubrate chains as needed.

Periodically clean intake screen on hydraulic driven blower.

See Raven Operator's Manual for operating and wiring instructions.

(6631FS16F)  
April 30, 2018  
Printed in the USA