



# Illustrated Parts & Packing List

815 Rice Lake Street, Owatonna, MN 55060

For a complete distributor & dealer list go to [www.gandy.net](http://www.gandy.net)

## Model 1006T-TBM, 1008T-TBM, 1010T-TBM or 1012T-TBM

(All Hardware in Place Unless Specified)

### One Hopper Bundle Containing:

6'	8'	10'	12'
1			
	1		
		1	
			1

<b>016651.....Hopper, 6-Foot w/ Bearings in Place</b>	Use: 1 Decal, 10 Series Drop Spreader (N02-0001-077)
	1 Decal, Caution (N02-0014-010)
	1 Decal, Important (N02-0014-020)
	1 Decal, Warning (N02-0057-000)
3 .....010672 .....Bearing, End & Center	
3 .....010743 .....Grease Tube Assembly, End & Center Bearing	Use: 3 Hex Nut, Fine Thread (3/8-24) (C01-0375-011)
	1 Lube Cap, Yellow (J02-0375-000) (in hardware bag)
	(for center grease tube)
<b>018651.....Hopper, 8-Foot w/ Bearings in Place</b>	Use: 1 Decal, 10 Series Drop Spreader (N02-0001-077)
	1 Decal, Caution (N02-0014-010)
	1 Decal, Important (N02-0014-020)
	1 Decal, Warning (N02-0057-000)
3 .....010672 .....Bearing, End & Center	
3 .....010743 .....Grease Tube Assembly, End & Center Bearing	Use: 3 Hex Nut, Fine Thread (3/8-24) (C01-0375-011)
	1 Lube Cap, Yellow (J02-0375-000) ( <b>in hardware bag</b> )
	(for center grease tube)
<b>0110651.....Hopper, 10-Foot w/ Bearing in Place</b>	Use: 1 Decal, 10 Series Drop Spreader (N02-0001-077)
	1 Decal, Caution (N02-0014-010)
	1 Decal, Important (N02-0014-020)
	1 Decal, Warning (N02-0057-000)
3 .....010672 .....Bearing, End & Center	
3 .....010743 .....Grease Tube Assembly, End & Center Bearing	Use: 3 Hex Nut, Fine Thread (3/8-24) (C01-0375-011)
	1 Lube Cap, Yellow (J02-0375-000) ( <b>in hardware bag</b> )
	(for center grease tube)
<b>0112651.....Hopper, 12-Foot w/ Bearings in Place</b>	Use: 1 Decal, 10 Series Drop Spreader (N02-0001-077)
	1 Decal, Caution (N02-0014-010)
	1 Decal, Important (N02-0014-020)
	1 Decal, Warning (N02-0057-000)
3 .....010672 .....Bearing, End & Center	
3 .....010743 .....Grease Tube Assembly, End & Center Bearing	Use: 3 Hex Nut, Fine Thread (3/8-24) (C01-0375-011)
	1 Lube Cap, Yellow (J02-0375-000) ( <b>in hardware bag</b> )
	(for center grease tube)

6'	8'	10'	12'
1	1	1	1
1	1	1	1
1	1	1	1
1	1	1	1

- 0108927-1 .....Mount Bracket, Left  
Use: 2 Hex Bolt (3/8 x 1-1/4) (C03-0375-051)  
2 Hex Bolt (3/8 x 2-1/4) (C03-0375-091)  
1 Hex Bolt (3/8 x 2-1/2) (C03-0375-101)  
1 Hex Bolt (3/8 x 3) (C03-0375-121)  
6 Lock Washer (3/8) (C02-0375-010)  
6 Hex Nut (3/8) (C01-0375-010)  
1 Whiz Flange Nut (3/8) (C01-0375-030)
- 0108927-2 .....Mount Bracket, Right  
Use: 2 Hex Bolt (3/8 x 1-1/4) (C03-0375-051)  
2 Hex Bolt (3/8 x 2-1/4) (C03-0375-091)  
1 Hex Bolt (3/8 x 2-1/2) (C03-0375-101)  
1 Hex Bolt (3/8 x 3) (C03-0375-121)  
6 Lock Washer (3/8) (C02-0375-010)  
6 Hex Nut (3/8) (C01-0375-010)  
1 Whiz Flange Nut (3/8) (C01-0375-030)
- 5708226.. .....Mount Bracket, Motor Mounting Plate  
Use: 2 Hex Bolt (3/8 x 1) (C03-0375-040)  
2 Whiz Flange Nut (3/8) (C01-0375-030)
- 47080100-7 .....Mount Bracket, Hydraulic Cylinder  
Use: 2 Hex Bolt (1/4 x 1) (C03-0250-040)  
2 Hex Nut (1/4) (C01-0250-010)

6'	8'	10'	12'	
1				<b>0568011&amp;12 .....Bottom &amp; Slide Assembly, 6-Foot</b> Use: 16 Hex Bolt (1/4 x 3/4) (C03-0250-030) 16 Hex Nut (1/4) (C01-0250-010) 2 Rear Hanger 6-Ft (0108016-32) 4 Whiz Flange Nut (3/16) (C01-0187-030) 4 Nylon Grip Washer (1/4) (C02-0250-011) 2 Phillips Head Sheet Metal Screw (#10-16) (C07-0187-040)
	1			<b>0588011&amp;12 .....Bottom &amp; Slide Assembly, 8-Foot</b> Use: 20 Hex Bolt (1/4 x 3/4) (C03-0250-030) 20 Hex Nut (1/4) (C01-0250-010) 4 Rear Hanger (0108016-21) 8 Whiz Flange Nut (3/16) (C01-0187-030) 8 Nylon Grip Washer (1/4) (C02-0250-011) 4 Phillips Head Sheet Metal Screw (#10-16) (C07-0187-040)
		1		<b>05108011&amp;12 .....Bottom &amp; Slide Assembly, 10-Foot</b> Use: 24 Hex Bolt (1/4 x 3/4) (C03-0250-030) 24 Hex Nut (1/4) (C01-0250-010) 4 Rear Hanger 10-FT (0108016-24) 8 Whiz Flange Nut (3/16)(C01-0187-030) 8 Nylon Grip Washer (1/4)(C02-0250-011) 4 Phillips Head Sheet Metal Screw (#10-16)(C07-0187-040)
			1	<b>05128011&amp;12 .....Bottom &amp; Slide Assembly, 12-Foot</b> Use: 28 Hex Bolt (1/4 x 3/4) (C03-0250-030) 28 Hex Nut (1/4) (C01-0250-010) 4 Rear Hanger 6-Ft (0108016-32) 8 Whiz Flange Nut (3/16) (C01-0187-030) 8 Nylon Grip Washer (1/4) (C02-0250-011) 4 Phillips Head Sheet Metal Screw (#10-16) (C07-0187-040)
1	1	1	1	0108075.. .....Cam Gauge Use: 1 Wing Nut, Large (1/2) (C01-0500-021) 2 Shake Proof Lock Washer (1/2) (C02-0500-040)
1	1	1	1	1606550.. .....Rotor Bar Coupler (center)
1				3268098-1 .....Rotor Bar Left, 6-Foot (Black)
1				3268098-2 .....Rotor Bar Right, 6-Foot (Red)
	1			3288098-1 .....Rotor Bar Left, 8-Foot (Black)
	1			3288098-2 .....Rotor Bar Right, 8-Foot (Red)
		1		32108098-1 .....Rotor Bar Left, 10-Foot (Black)
		1		32108098-2 .....Rotor Bar Right, 10-Foot (Red)
			1	32128098-1 .....Rotor Bar Left, 12-Foot (Black)
			1	32128098-2 .....Rotor Bar Right, 12-Foot (Red)
1	1	1	1	1606552.. .....Stub Drive (non drive end)
1	1	1	1	1605754.. .....Retainer, Stub Drive
1	1	1	1	5708251-3 .....Shaft, Stub drive
1	1	1	1	0106751-5 .....Journal, Stub Drive Use: 2 Spring Pin (3/16 x 1-3/8) (C23-0187-170)
1	1	1	1	5708251-4 .....Coupling, Hydraulic Motor Use: 1 Socket Set Screw (1/4 x 1/4) (C06-0250-020) 1 Spring Pin (1/4 x 1-1/2) (C23-0250-180)
16	22	28	34	0506394-334 .....Powder Angle (3-3/4") Use: Hex Bolt (1/4 x 1)(C03-0250-040) (One Per Powder Angle) SAE Washer (1/4)(C02-0250-020) (One Per Powder Angle)
2	2	2	2	0506394-100 .....Powder Angle (1-inch) Use: Hex Bolt (1/4 x 1)(C03-0250-040) (One Per Powder Angle) SAE Washer (1/4)(C02-0250-020) (One Per Powder Angle)

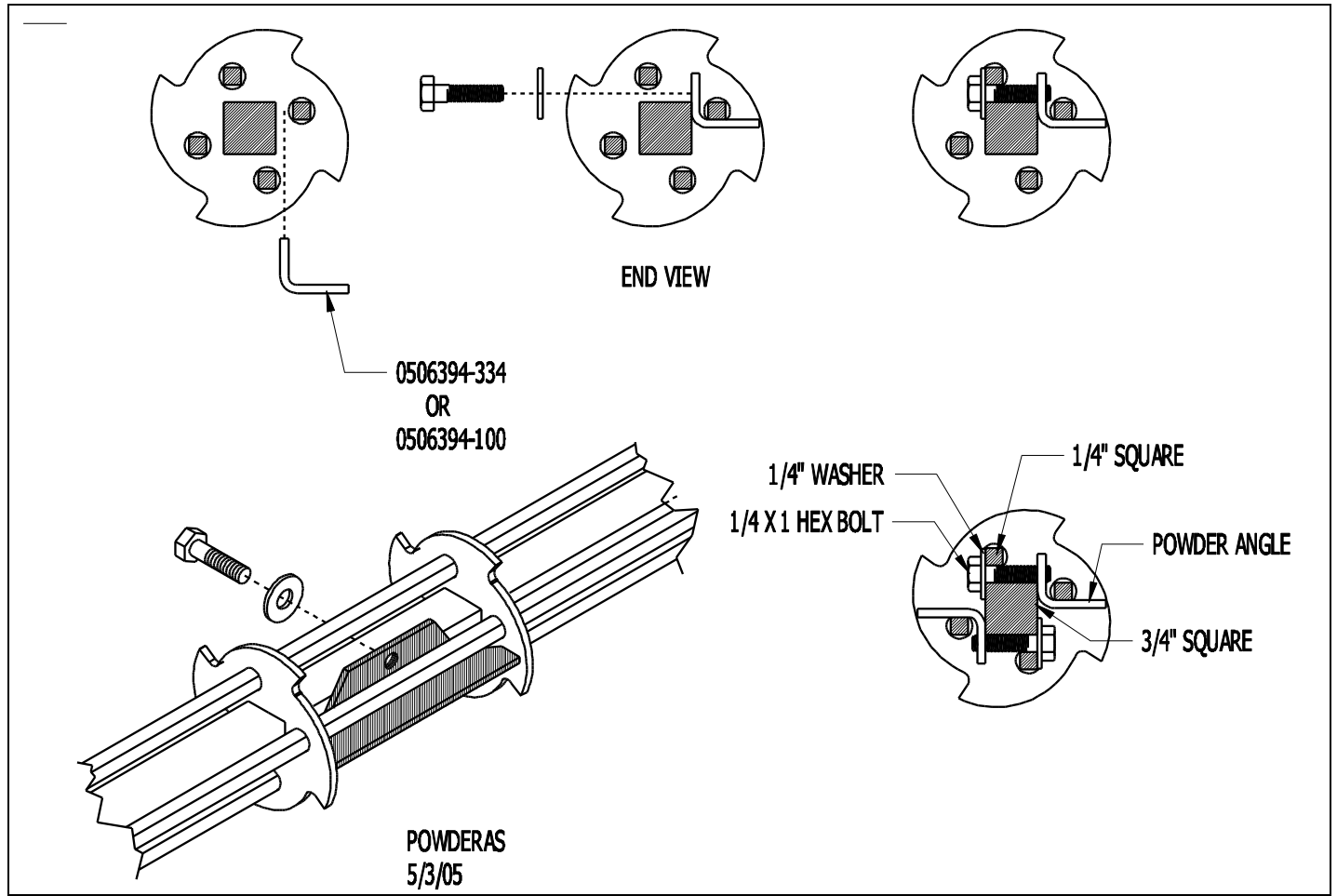
6'	8'	10'	12'	
1				0166517-1 ..... Cover, Left, 6-Foot Use: 2 Clevis Pin (1/4 x 2-5/8) (C22-0250-200) (in hardware bag) 2 Cotter Pin (3/32 x 3/4) (C20-0093-020) (in hardware bag)
1				0166517-2 ..... Cover, Right, 6-Foot Use: 2 Clevis Pin (1/4 x 2-5/8) (C22-0250-200) (in hardware bag) 2 Cotter Pin (3/32 x 3/4) (C20-0093-020) (in hardware bag)
	1			0186517-1 ..... Cover, Left, 8-Foot Use: 2 Clevis Pin (1/4 x 2-5/8) (C22-0250-200) (in hardware bag) 2 Cotter Pin (3/32 x 3/4) (C20-0093-020) (in hardware bag)
	1			0186517-2 ..... Cover, Right, 8-Foot Use: 2 Clevis Pin (1/4 x 2-5/8) (C22-0250-200) (in hardware bag) 2 Cotter Pin (3/32 x 3/4) (C20-0093-020) (in hardware bag)
		1		01106517-1 ..... Cover, Left, 10-Foot Use: 2 Clevis Pin (1/4 x 2-5/8) (C22-0250-200) (in hardware bag) 2 Cotter Pin (3/32 x 3/4) (C20-0093-020) (in hardware bag)
		1		01106517-2 ..... Cover, Right, 10-Foot Use: 2 Clevis Pin (1/4 x 2-5/8) (C22-0250-200) (in hardware bag) 2 Cotter Pin (3/32 x 3/4) (C20-0093-020) (in hardware bag)
			1	01126517-1 ..... Cover, Left, 12-Foot Use: 2 Clevis Pin (1/4 x 2-5/8) (C22-0250-200) (in hardware bag) 2 Cotter Pin (3/32 x 3/4) (C20-0093-020) (in hardware bag)
			1	01126517-2 ..... Cover, Right, 12-Foot Use: 2 Clevis Pin (1/4 x 2-5/8) (C22-0250-200) (in hardware bag) Cotter Pin (3/32 x 3/4) (C20-0093-020) (in hardware bag)
4	4	4	4	1406318.. ..... Cover Lock (in hardware bag) Use: 4 Cotter Pin (3/32 x 3/4) (C20-0093-020) (in hardware bag)
1	1	1	1	0106519.. ..... Rain Trough Use: 1 Drive Screw (#12 x 1/2)(C11-0209-010) (in hardware bag)
1				4367921.. ..... Spread Plate, 6-Foot (ONE ONLY) Use: 2 Sash Chain #50 (21 Links) (05108121-1/1) 2 Cotter Pin (3/16 x 3/4) (C20-0187-010)
	1			0588221-1 ..... Spread Plate, Left, 8-Foot Use: 2 Sash Chain #50 (21-Links) (05108121-1/1) 2 Cotter Pin (3/16 x 3/4)(C20-0187-010)
	1			0588221-2 ..... Spread Plate, Right, 8-Foot Use: 2 Sash Chain #50 (21-Links) (05108121-1/1) 2 Cotter Pin (3/16 x 3/4) (C20-0187-010)
		1		05108121-1 ..... Spread Plate, Left, 10-Foot Use: 2 Sash Chain #50 (21-Links) (05108121-1/1) 2 Cotter Pin (3/16 x 3/4) (C20-0187-010)
		1		05108121-2 ..... Spread Plate, Right, 10-Foot Use: 2 Sash Chain #50 (21-Links) (05108121-1/1) 2 Cotter Pin (3/16 x 3/4) (C20-0187-010)
			1	43127921-1 ..... Spread Plate, Left, 12-Foot Use: 2 Sash Chain #50 (21-Links) (05108121-1/1) 2 Cotter Pin (3/16 x 3/4) (C20-0187-010)
			1	43127921-2 ..... Spread Plate, Right, 12-Foot Use: 2 Sash Chain #50 (21-Links) (05108121-1/1) 2 Cotter Pin (3/16 x 3/4) (C20-0187-010)
2	4	4	4	43127920 ..... Hanger Strap, Spread Plate
2	4	4	4	4307918.. ..... Chain Hook, Spread Plate

**1000TBM-H Hardware Bag Shipped with Each Hopper Containing The flowing Items:**

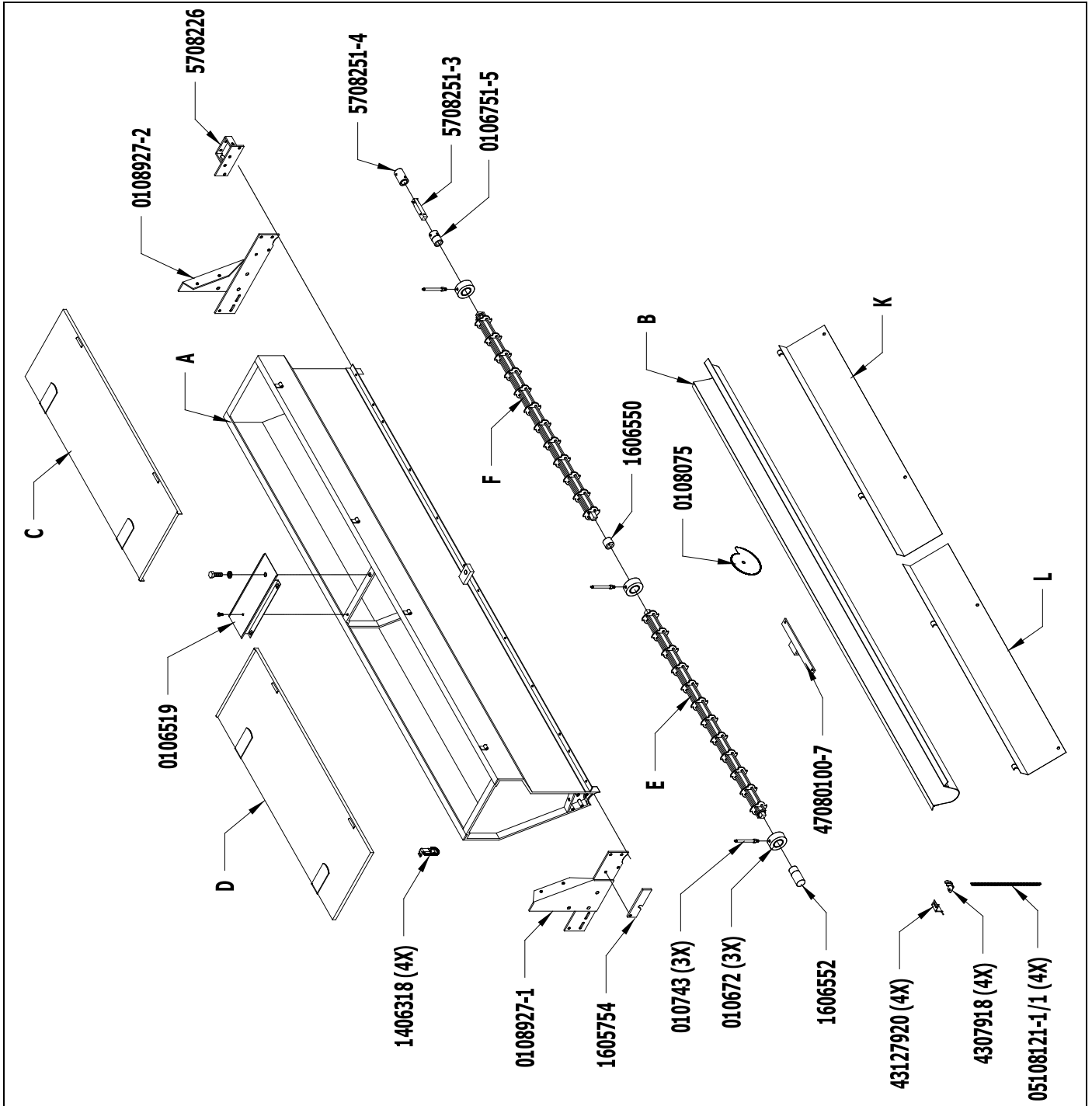
- 1 .....C02-0625-010 ..... Lock Washer (5/8)
- 1 .....C03-0625-071 ..... Hex Bolt (5/8 x 1-3/4)
- 1 .....C11-0209-010 ..... Drive Screw (#12 x 1/2)
- 8 .....C20-0093-020 ..... Cotter Pin (3/32 x 3/4)
- 4 .....C22-0250-200 ..... Clevis Pin (1/4 x 2-5/8)
- 1 .....J02-0375-000 ..... 3/8 Lubricap (for covering center grease fitting)
- 4 .....L04-0005-000 ..... Cable Tie (5/16 x 15-1/4)
- 1 .....M10-0005-004 ..... Manual Holder
- 1 .....0197102-1 ..... Manual Holder Bracket
- 4 .....1406318 ..... Cover Lock

**Powder Angles**

Powder Angles are recommended for powdery materials. They are furnished with “T” series unites, available for agricultural models. Install alternately UP and Down. Draw hex bolt snug with out bowing 1/4 inch square rod.



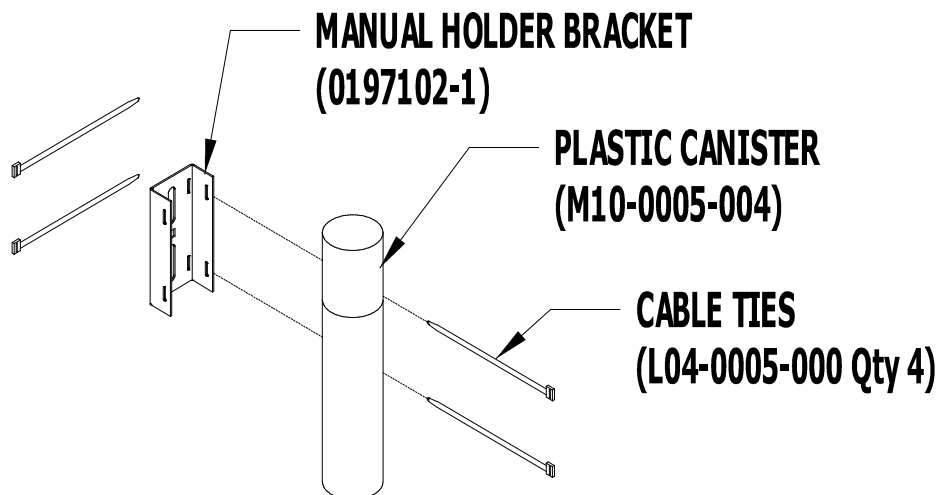
Reference	1006T-TBM	1008T-TBM	1010T-TBM	1012T-TBM
A	016651	018651	0110651	0112651
B	0568011&12	0588011&12	05108011&12	05128011&12
C	0166517-1	0186517-1	01106517-1	01126517-1
D	0166517-2	0186517-2	01106517-2	01126517-2
E	3268098-1	3288098-1	32108098-1	32128098-1
F	3268098-2	3288098-2	32108098-2	32128098-2
G	24367921	0588221-1	05108121-1	43127921-1
H	-----	0588221-2	05108121-2	43127921-2



## Manual Holder Bracket

Mount manual holder in a convergent location on unit.

Store Operator's manual, Packing List & Rate Chart for convergent access.



## Maintenance

**Check all bolts for tightness after first two hours of use; check periodically thereafter.**

**Grease all fittings regularly.**

There are **three** grease fittings on these hoppers.

There is **one** grease fitting on each end bearing and **one** on the center bearing inside hopper.

See operator's manual for further instructions.

### **Note:**

These hoppers will require a Hydraulic or Electric Drive package to operate. **(Ordered Separately)**

#57082100 Hydraulic drive packages less hoses, 15-GPM flow

or

#57094108 Electric drive package, 12-Volt, 11-13 Amps

### **Optional Accessories (Ordered Separately, Not Part of Hopper Assembly)**

#0101103----- Electric Actuator Shut-off

#3408236----- Hand Lever Shut-off (Not recommended for 10 & 12-Ft Models)

#57082105 ----- Hydraulic Hose Package Cylinder to Motor (for connection hyd shut-off in w/ hyd motor)

#0108013----- Clamp-on Hole Closures (to close off openings, order one per opening)

#0108190----- Deflector, Side –Dressing (order one per opening)

### **Calibration Pans (For Catching Material)**

#01125214 ----- Calibration Pan 6-Ft Long (order one for 6-ft hopper) (order two for a 12-ft hopper)

#01105214 ----- Calibration Pan 5-Ft Long (order two for a 10-ft hopper)

#0185214----- Calibration Pan 4-Ft Long (order two for a 8-ft hopper)

GDY-1006T TBM-12T TBM-PPL

Drawings; POWDERAS, 10T-TBM, Hold3

June 6, 2012

Revised From (3/14/12)

Printed in the USA