



Illustrated Parts & Packing List

815 Rice Lake Street, Owatonna, MN 55060

Phone: 800443-2476 / 507-451-5430

www.gandy.net / Email: custsrv@gandy.net

42-inch Spreader, Tractor Hitch

42T16

Variable Rate Bottom

(Shipped in Three Cartons)

- 1..... 42-A..... **Hopper Carton Containing:**
(All Parts & Hardware in Place Unless Otherwise Specified)
- 1 2842721 Hopper, 42-inch
 Use: 6 Latch Assembly (280692)
 12 Rivet (4/16) (C17-0250-050)
 1 Decal, 42-inch Drop Spreader (N02-0001-074)
 1 Decal, Conversion Chart (N02-0028-005)
 - 1 2899-1..... Retainer, Bearing Left, With Spread plate Bracket
 Use: 1 SAE Washer (5/16) (C02-0312-020)
 1 Wing Nut (5/16) (C01-0312-020)
 - 1 2899-2..... Retainer, Bearing Right, With Spread plate Bracket
 Use: 1 SAE Washer (5/16) (C02-0312-020)
 1 Wing Nut (5/16) (C01-0312-020)
 - 2 090633-C1 End Bearing
 - 1 2807953..... Center Bearing (For 24-36-42 inch Hoppers)
 Use: 1 Whiz Flange Nut (5/16) (C01-0312-030)
 1 Hex Bolt Self Tapping (5/16 x 1) (C03-0312-042)
 - 2 28427155..... Rotor Bar, Tri-Rod (For 42-Inch Hoppers)
 - 2 2807156..... End Washer
 - 1 2808942-7..... Bottom & Slide, Variable Rate (For 42-inch Hopper)
 Use: 4 Nylon Grip Washer (1/4) (C02-0250-011)
 4 Whiz Flange Nut (3/16) (C01-0187-030)
 1 SAE Washer (5/16) (C02-0312-020)
 1 Wing Nut (5/16) (C01-0312-020)
 1 Cam Gauge (2807175)
 1 Rear Hanger (28426912)
 - 1 2808942-1..... Spread plate, w/ Seal (For 42-inch Hopper)
 Use: 3.48 Ft Foam Strip (M05-0500-175)
 2 SAE Washer (5/16) (C02-0312-020)
 2 Sash Chin #25 (16 Links) (F03-0025-016) **(in hardware Bag)**
 2 Hairpin Cotter (.08 x 1-9/16) (C21-0072-020) **(in Hardware Bag)**
 2 Cotter Pin (3/32 x 3/4) (C20-0093-020) **(in Hardware Bag)**
- 1 42-AH..... **Hardware Bag Containing:**
- 2..... C20-0093-020..... Cotter Pin (3/32 x 3/4)
 - 2..... C21-0072-020..... Hairpin Cotter (.08 x 1-9/16)
 - 2..... F03-0025-016..... Sash Chain #25 (16-Links)

1..... 42T-A..... Tractor Hitch Parts Carton:

(All Hardware in Hardware Bag Unless Otherwise Specified)

- 1 2806915..... Hitch Pole
- 1 2806916..... Hitch Pin
 - Use: 2 Whiz Flange Bolt (5/16 x 5/8) (C03-0312-021) **(In Place)**
 - 1 Hairpin Cotter (3/16) (C21-0177-020)
- 1 28427117-1..... Pole Brace, Left
 - Use: 1 Whiz Flange Bolt (5/16 x 5/8) (C03-0312-021)
 - 1 Hex Bolt (5/16 x 2-1/4) (C03-0312-091)
 - 2 Whiz Flange Nut (5/16) (C01-0312-030)
- 1 28427117-2..... Pole Brace, Right
 - Use: 1 Whiz Flange Bolt (5/16 x 5/8) (C03-0312-021)
 - 1 Whiz Flange Nut (5/16) (C01-0312-030)
- 1 2899-7..... Clevis, Hitch Pole
 - Use: 1 Hex Bolt (5/16 x 1-1/4) (C03-0312-050)
 - 1 Hex Bolt (5/16 x 2) (C03-0312-080)
 - 2 Whiz Flange Nut (5/16) (C01-0312-030)
- 1 2899-5..... Shut-Off Lever, 42-inch Trailer
 - Use: 1 Grip, Black (5/8 x 2) (J01-0625-200)

1..... 42T-H..... Hardware Bag Containing:

- 5..... C01-0312-030..... Whiz Flange Nut (5/16)
- 2..... C03-0312-021..... Whiz Flange Bolt (5/16 x 5/8)
- 1..... C03-0312-050..... Hex Bolt (5/16 x 1-1/4)
- 1..... C03-0312-080..... Hex Bolt (5/16 x 2)
- 1..... C03-0312-091..... Hex Bolt (5/16 x 2-1/4)
- 1..... C21-0177-020..... Hairpin Cotter (3/16)
- 1..... J01-0625-200..... Grip, Black (5/8 x 2)

Wheel Assemblies

The Following Wheel Carton Shipped with the Spreader:

16-inch Pneumatic Tire & Wheel Assembly Consisting of:

1..... 2816896..... Wheel Carton, (2) 16-inch Wheels w/Adaptors Containing:

2 R02-0016-000..... 16-inch Pneumatic Tire Mounted on Rim

1 2816896-A..... Hardware Bag Containing:

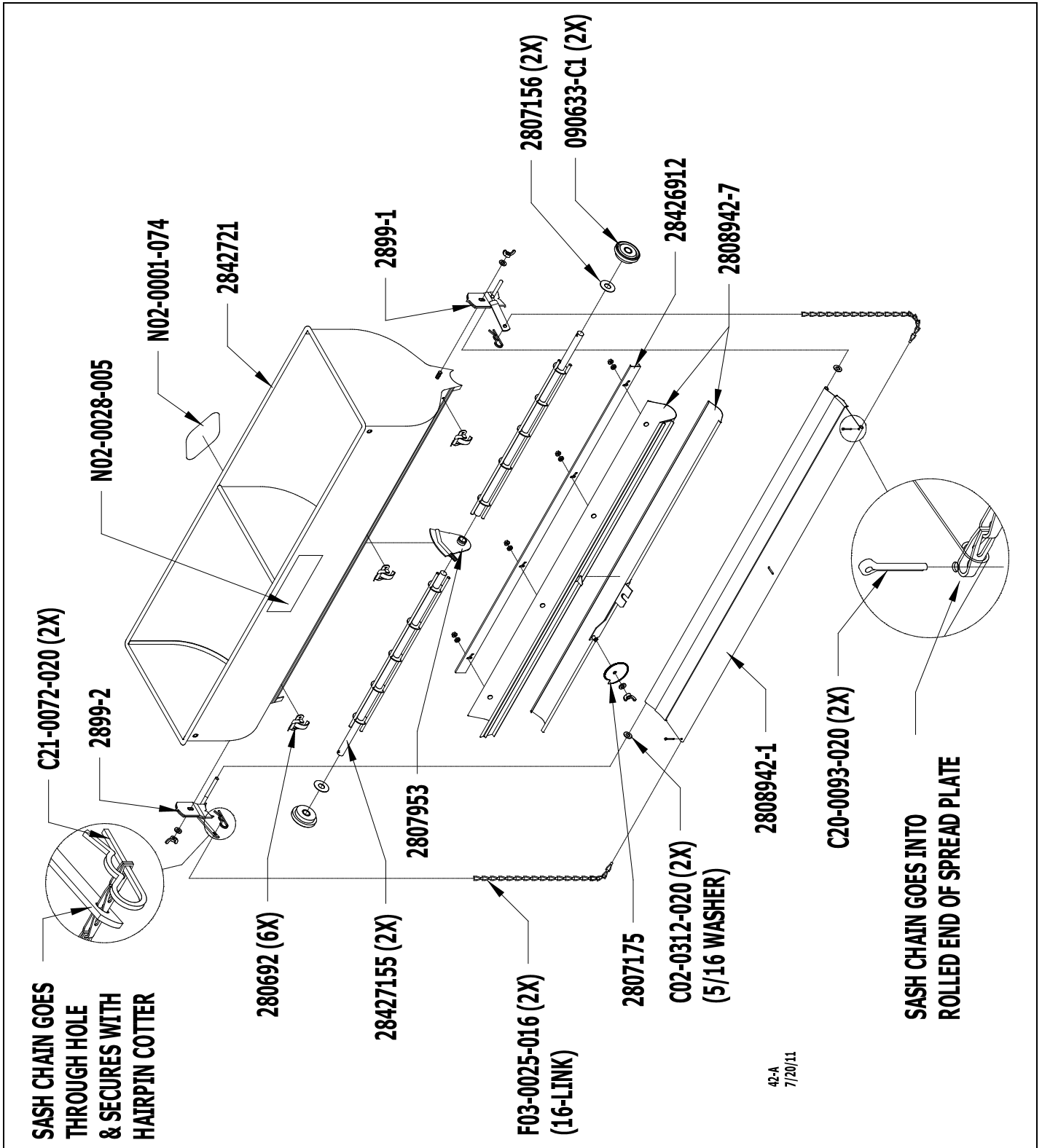
Use: 2 Hairpin Cotter (.08 x 1-9/16) (C21-0072-020)

2 Clevis Pin (3/8 x 1-3/4) (C22-0375-100)

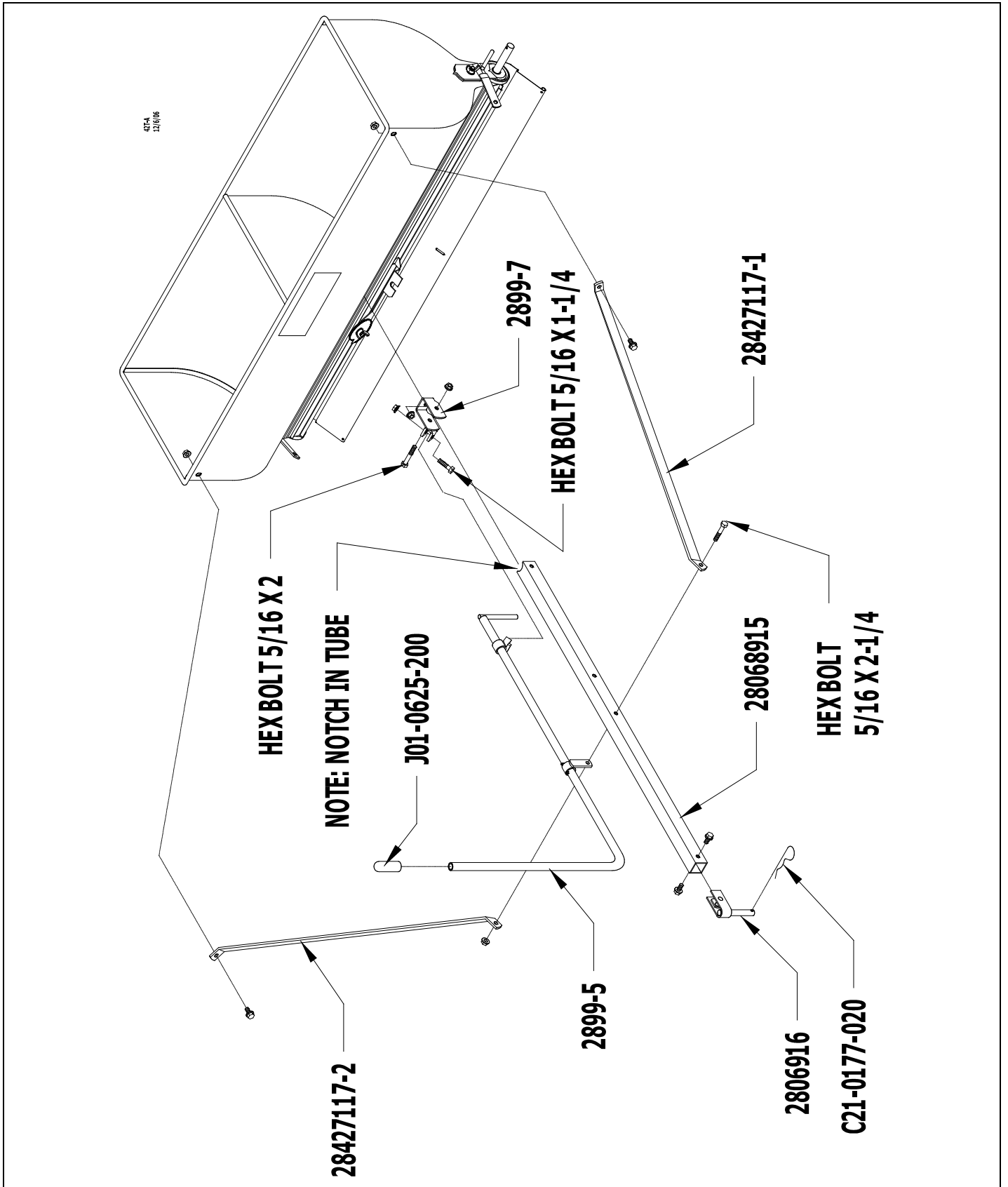
2 Spring Pin (3/16 x 1) (C23-0187-140)

2 Wheel Adaptor (28427155-6)

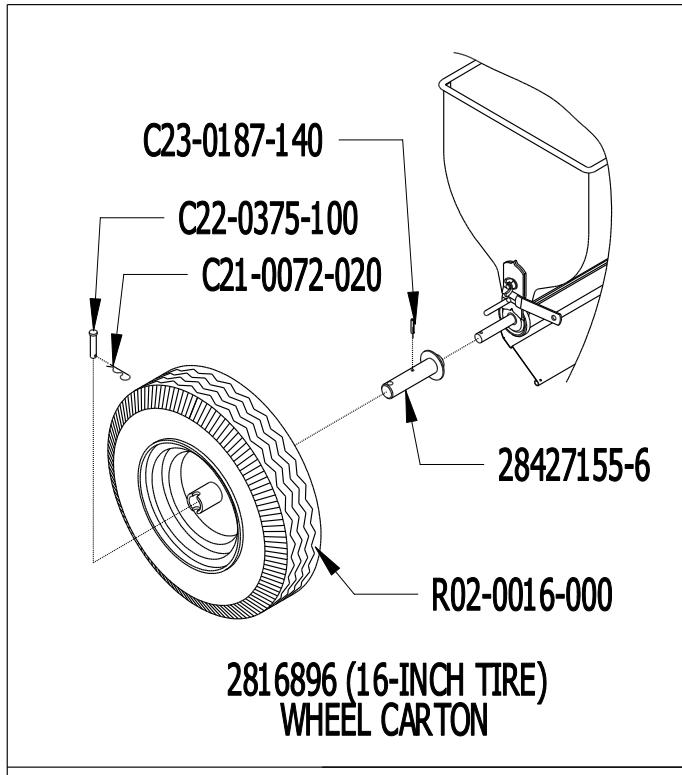
Hopper Schematic



Tractor Hitch Parts Schematic



Optional Wheel Assembly Schematics



GDY-42T16-PPL
Drawing: 42-A, 42T-A, 42 TIRE CARTON
APRIL 1, 2013
Revised From (10/26/12)
Printed in the USA