



Illustrated Parts & Packing List

815 Rice Lake Street, Owatonna, MN 55060

For a complete distributor & dealer list go to www.gandy.net

62AN18C Orbit-Air[®] Applicator
10 CU. FT. (.28m³) Hopper, 450-Lb Chemical Capacity Implement-Mounted
w/ 18 (1-1/4") Outlets, Chemical (C) Black Wheels
For Use w/ 1-inch I.D. Tubing
Single Metering Shaft, One Clutch
(All Parts & Hardware in Place Unless Otherwise Specified)

- 1 628720-1 Hopper 10 Cu. Ft.
 - Use: 2 Sight Window (610851/26)
 - 4 Rails (610851/27)
 - 12 Pop Rivet (3/16 x 3/8) (C19-0187-030)
 - 2 Decal, Caution Moving Parts (N02-0014-010)
 - 2 Decal, Orbit Air 62 Series Small (N02-0001-078)
 - 1 Decal, Important Metering Wheel (N02-0062-040)
 - 1 Decal, Important Slide Closure (N02-0062-041)
 - 1 Decal, Caution Black on Yellow (N02-0062-050)

- 1 628720-10 Mounting Arm, Hopper, Left
 - Use: 8 Carriage Bolt (3/8 x 1) (C04-0375-040)
 - 8 Whiz Flange Nut (3/8) (C01-0375-030)

- 1 628720-11 Mounting Arm, Hopper, Right
 - Use: 6 Carriage Bolt (3/8 x 1) (C04-0375-040)
 - 2 Carriage Bolt (3/8 x 1-1/4) (C04-0375-051)
 - 8 Whiz Flange Nut (3/8) (C01-0375-030)

- 2 63861-3 Screen (10 Cu Ft Hopper)
- 1 63861-2 Cover, 10 Cu. Ft.
 - Use: 2 Clevis Pin (1/4 x 2-5/8) (C22-0250-200)
 - 2 Cotter Pin (3/32 x 3/4) (C20-0093-020)

- 2 1406318 Cover Lock
 - Use: 2 Cotter Pin (3/32 x 3/4) (C20-0093-020)

- 1 62852-24 Clear Windshield (For 10 Cu Ft Hopper)
 - Use: 5 Hex Bolt (1/4 x 1/2) (C03-0250-010)
 - 5 Wrought Washer (5/16) (C02-0312-030)
 - 5 Whiz Flange Nut (1/4) (C01-0250-030)

- 1 62852-21 Shaft, Gear & Driven Sprocket (26 x 5/8 Round)
- 2 63861-7 Bearing, Plastic (5/8 Bore)
- 4 09074690-4 Flangette (For 63861-7 Bearing)
 - Use: 4 Carriage Bolt (1/4 x 5/8) (C04-0250-020)
 - 4 Whiz Flange Nut (1/4) (C01-0250-030)

- 1 62851-28 Mounting Bracket, Shaft Sensor
- 1 628957-1 Sensor Shaft w/ Tabs

- 1 62851-42 Chain Sprocket, 21-Tooth (5/8 Bore)
Use: 1 Cotter Pin (3/16 x 1-1/4) (C20-0187-030)
- 1 62853-9 Sprocket, 24-Tooth, (5/8 Bore x 1-1/4 Hub)
Use: 1 Cotter Pin (3/16 x 1-1/4) (C20-0187-030)
- 1 628720-13 Shaft (1-inch x 38)
Use: 2 SAE Washer (1-inch) (C02-1000-020)
- 2 D05-1000-010 Bearing (1-inch)
Use: 4 Hex Bolt (5/16 x 3/4) (C03-0312-030)
4 Lock Washer (5/16) (C02-0312-010)
4 Hex Nut (5/16) (C01-0312-010)
- 1 62853-12 Electric Clutch w/ 35-Tooth Sprocket
Use: 1 Hex Bolt (3/8 x 1-1/2) (C03-0375-061)
2 Whiz Flange Nut (3/8) (C01-0375-030)
- 1 62853-10 Chain Sprocket, 32-Tooth (Bolted to Electric Clutch)
Use: 4 Hex Bolt (1/4 x 3/4) (C03-0250-030)
4 Whiz Flange Nut (1/4) (C01-0250-030)
- 1 628720-7 Bushing (1-1/4 O.D. x 1-1/8 Long)
- 1 2406251 Collar Locking (For 1-inch Shaft)
Use: 1 Sq. Head Set Screw (3/8 x 5/8) (C05-0375-030)
- 3.08 Ft F02-0041-000 Roller Chain #41 (74 Rollers)
Use: 1 Connector Link #41 (F02-0041-001)
- 1 62851-23 Nylon Roller (Chain Tightener)
Use: 1 Carriage Bolt (3/8 x 2-1/2) (C04-0375-100)
1 SAE Washer (7/16) (C02-0437-020)
2 Wrought Washer (3/8) (C02-0375-030)
1 Lock Washer (3/8) (C02-0375-010)
1 Hex Nut (3/8) (C01-0375-010)
1 Bushing (9/16 x 14ga x 1-5/8) (09065168-1)
- 1 62853-43 Sprocket, 16-Tooth, 5/8 Bore 1-3/4 Hub
Use: 2 Socket Set Screw (#10-24 x 5/16) (C06-0187-030)
- 1 62853-44 Sprocket, 16-Tooth, 1/2 Bore x 1-3/8 Hub
Use: 1 Socket Set Screw (1/4 x 1/4) (C06-0250-020)
- 1 G06-0060-000 Speed Control (Y41 Zero Max)
Use: 4 Carriage Bolt (3/8 x 1) (C03-0375-040)
4 Lock Washer (3/8) (C02-0375-010)
4 Hex Nut (3/8) (C01-0375-010)
- 1 628720-16 Air Chamber, 18-outlet
Use: 2 Hex Bolt (3/8 x 3/4) (C03-0375-030)
1 Hex Bolt (3/8 x 1) (C03-0375-041)
3 Whiz Flange Nut (3/8) (C01-0375-030)
- 2 M05-2000-000 Rubber Plug, 2-inch
- 1 628721-3 Angle Support, Air Chamber
- 3 M05-0187-000 Gasket, Mixing Chamber
- 18 M10-0055-001 Mixing Chamber, Narrow (For 1-inch I.D. Tubing)
Use: 21 Hex Head TC Screw (5/16 x 3/4) (C03-0312-032)
- 1 5508242-33 Gasket, Potting Box
- 1 6212-A Sensor Wire Assembly**
Use: 2 Pan Head TC Screw (#8 x 1/2) (C07-0164-070)
- 1 L10-0016-010 Potting Box
Use: 2 Phillips Pan Head TC Screw (#8 x 1/2) (C07-0164-070)

- 1 M05-3000-000 Rubber Plug (3-inch)
- 1 628720-18 Clean-Out Chute, 4-inch
 - Use: 1 Wing Nut (5/16) (C01-0312-020)
 - 1 Wrought Washer (5/16) (C02-0312-030)
 - 1 Decal, Caution Plug (N02-0062-051)
- 1 62852-9 Angle Clamp, Tubing
 - Use: 3 Foam Clamp Strip 9-1/2 Long (62851-16)
- 1 5408326 Bar Clamp, Plastic Tubing
 - Use: 3 Foam Clamp Strip 9-1/2 Long (62851-16)
 - 4 Hex Bolt (5/16 x 2-1/4) (C03-0312-091)
 - 4 Lock Nut, Nylon (5/16) (C01-0312-040)

- 1 5508442-35 Magnetic Hub (**on Metering Door Shaft**)
 - Use: 1 Spring Pin (3/16 x 1) (C23-0187-140)

- 1 628720-A Metering Wheel Assembly, 18 Outlet (Black Chemical Wheels)**
 - 1 628720-17 Mounting Plate, For 3 Gang Cups
 - Use: 2 J-Bolt (C16-0312-020)
 - 2 Wrought Washer (5/16) (C02-0312-030)
 - 2 Wing Nut (5/16) (C01-0312-020)
 - 3.17 FT... M05-0125-050 Rubber Strip with Adhesive (1/8 x 1/2)
 - 3 62851-73 Gang Cups, Stainless
 - Use: 8 Whiz Flange Nut (3/16) (C01-0187-030)
 - 18 62851-77 Hole Closure, Slotted Gang Cup
 - Use: 36 Extruded Washer (628720-20)
 - 18 Hex Bolt (5/16 x 1-3/4) (C03-0312-071) (Stainless)
 - 18 Comp. Spring (E00-0420-012)
 - 1 62852-14 Hex Shaft (5/8 x 31-9/16)
 - 2 63861-7 Bearing, Plastic (5/8 Bore)
 - 4 09074690-4 Flangette (For 63861-7 Bearing)
 - Use: 4 Hex Bolt (1/4 x 1/2) (C03-0250-013) (Stainless)
 - 4 Lock Washer (1/4) (C01-0250-012) (Stainless)
 - 18 62851-75 Metering Wheels, Chemical (C), Black
 - 1 62851-41 Sprocket, 21-Tooth, 5/8 Bore
 - Use: 1 Cotter Pin (3/16 x 1-1/4) (C20-0187-030)

- 1..... 62167-P8Blower Assembly, Horizontal Discharge, 8 GPM Hydraulic Motor**
- 1 B56-08636-1.....Front Housing, Blower (Plastic)
 - Use: 14 Hex Bolt (1/4 x 3/4) (C03-0250-30)
 - 28 SAE Washer (1/4) (C02-0250-020)
 - 14 Lock Nut, Nylon (1/4) (C01-0250-040)
- 1 B56-08636-2.....Back Housing, Blower (Plastic)
- 1 5608636-4.....Back-Up Plate
 - Use: 4 Carriage Bolt (3/8 x 1-1/4) (C04-0375-051)
 - 4 Lock Nut, Nylon (3/8) (C01-0375-041)
- 1 62167-2.....Mount, Blower (Plastic w/Coupler)
 - Use: 1 Decal, Warning Rotating Parts (N02-0055-010)
 - 1 Decal, Important Hydraulic Motor (N02-0062-043)
 - 1 Decal, Black on Yellow (N02-0062-050)
 - 4 Hex Bolt (3/8 x 1-1/2) (C03-0375-061)
 - 8 Wrought Washer (3/8) (C02-0375-030)
 - 4 Lock Washer (3/8) (C02-0375-010)
 - 4 Hex Nut (3/8) (C01-0375-010)
- 1 L01-0034-004.....Fan, Impeller
 - Use: 1 Bushing (1-inch JA Bore) (L01-0033-002)
- 1 5408320-25.....Key, Fan Shaft (1/4 x 1)
- 1 62167-3.....Shaft (6 Inch Long)
- 1 28122-49.....Key, for Coupler (3/16 sq. x 1)
- 1 K18-M024-000.....Coupler (9/16 x 7/8)
 - Replacement Parts(K18-M024-003 Black Plastic Coupler Sleeve) (5508230-5 1/8 x1 Key)
 - (K18-M024-004 Coupler for 9/16 Shaft on Hyd Motor)
 - (K18-M024-005 Coupler for 7/8 Shaft on End of Fan Shaft)
- 1 K01-0045-003Hydraulic Motor, 8-GPM Casappa
 - Use: 2 Carriage Bolt (3/8 x 1-1/4) (C04-0375-051)
 - 2 Washer, Motor Side, Stainless (62164-2)
 - 2 Lock Nut, Nylon (3/8) (C01-0375-041)
- 2 D05-1000-030Bearing & Locking Collar (For 1-inch Shaft)
- 4 D10-1000-011Flangette, Round
 - Use: 6 Carriage Bolt (5/16 x 1) (C04-0312-040)
 - 6 Lock Washer (5/16) (C02-0312-010)
 - 6 Hex Nut (5/16) (C01-0312-010)
- 1 5608231-3.....Screen, Blower
 - Use: 3 Pan Head Sheet Screw (#10 x 3/4) (C07-0187-090)
- 1 5508336-7.....Guard, Blower Shaft
 - Use: 2 Thumb Screw (5/16 x 3/4) (C09-0312-100)
- 2 K02-0500-120Hydraulic Hose, 1/2 x 120"
- 2 K02-0500-014Hydraulic Hose, 1/2 x 14" w/ O-Ring Fitting On One End
- 1 K02-0375-024Hydraulic Hose, 3/8 x 24" (Case Drain)
- 1 L04-0005-000.....Cable Tie (5/16 x 15-1/4)
- 1 L04-0000-000.....Tag, Important, Caution
- 1 62113Hydraulic By-Pass Block Assembly w/Check Valve**
- 1 K05-CV10-200.....Check Valve
- 1 6296-1.....Hydraulic By-Pass Block

The Following Parts Are Inside Hopper:

- 1 Packet Containing..... Parts & Packing List, Operator’s Manual, Rate Chart & Ag Warranty
- 1 0197102-1..... Manual Bracket Holder
- 2 L04-0005-000..... Cable Tie (5/16 x 15-1/4)
- 1 M10-0005-004..... Manual Holder

1..... 6212-D..... Air Pressure Gauge Carton

- 1 62851-46..... Mounting Bracket, Air Pressure Gauge
- 1 K17-P734-004 Air Pressure Gauge 4 Inch
- 2 K04-0250-375 Adaptor, Plastic, 1/4 MPT x 3/8 HB
- 4 Ft..... M06-0375-000..... Tubing, 3/8 I.D. x 1/8 Wall
- 1 C03-0312-020..... Hex Bolt (5/16 x 5/8)
- 1 C01-0312-030..... Whiz Flange Nut (5/16)

1..... 628720-B..... Parts Carton Containing:

1..... 6216-E..... Enclosed Console Assembly, 2 Light, 1 Switch

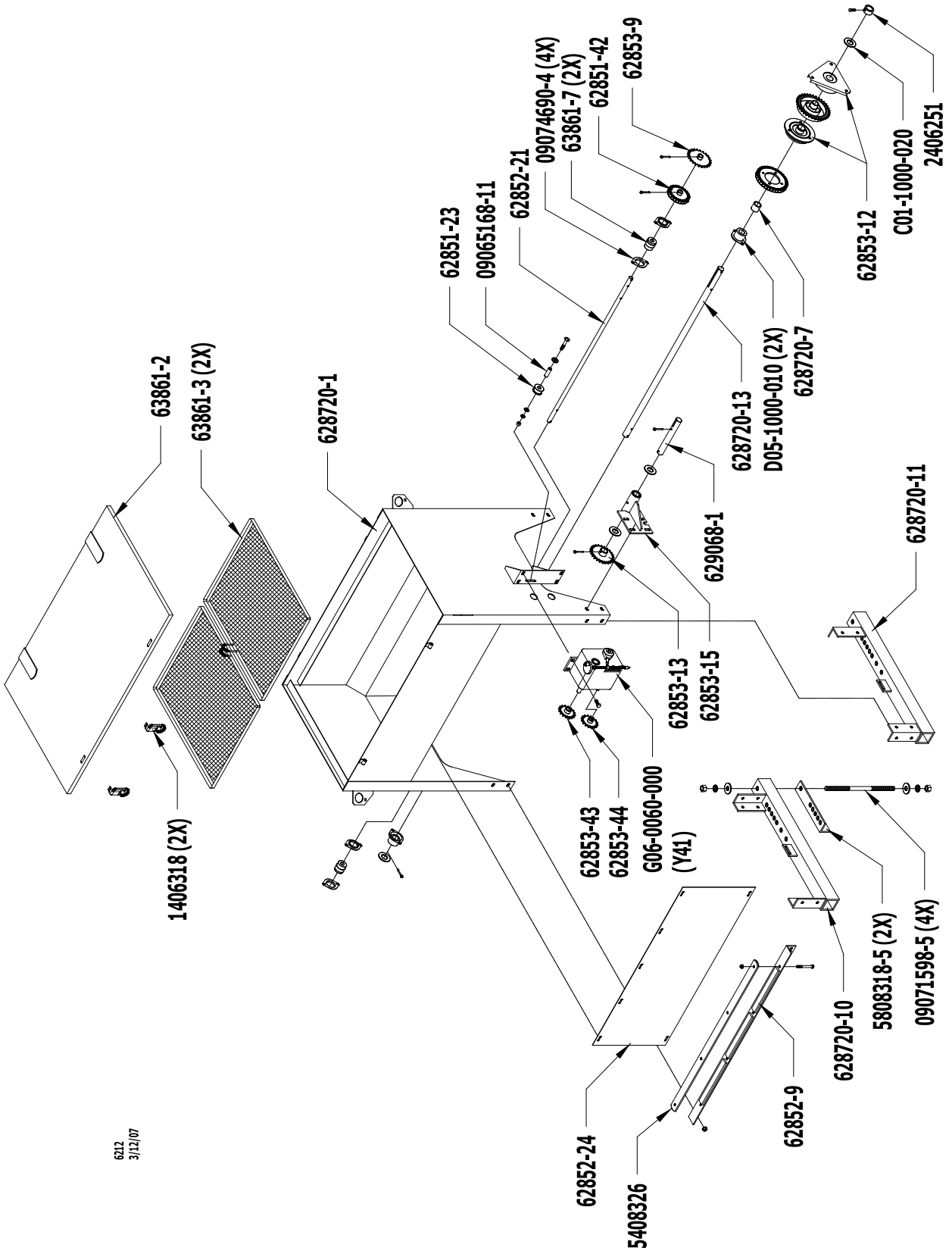
- 1..... 5508338-23..... Enclosed Console, Front
- 1..... 5508338-24..... Enclosed Console, Back
 - Use: 2 Hex Bolt (1/4 x 3/4) (C03-0250-030) (in hardware bag)
 - 2 Whiz Flange Nut (1/4) (C01-0250-030) (in hardware bag)
 - 4 PH Sheet Metal Screw (#10-16 x 5/16) (C07-0187-040)
- 3..... M05-2858-000..... Rubber Grommet, (3/8)
- 3..... J03-0500-000..... Hole Plug (1/2)
- 2..... L03-0005-000..... Wire Connector Blue (16-14ga)
- 1..... L05-0008-000..... Amber Light
- 1..... L05-0008-020..... Green Light
- 1..... L05-0001-050..... Toggle Switch, On/Off
- 1..... C07-0164-051..... Phillips Head Screw (#8-32 x 3/8)
- 1..... C01-0164-040..... Kep Nut (#8/32)
- 1..... 5508338-1..... Molded Connector, Female, 8-inch with Terminal
- 1..... 09082589-31..... Molded Connector, 16 ga x 8-inch with Female Terminal
- 1..... 638719-2..... Power & Ground Wire, 16 ga. x 11 Ft
- 1..... L03-0015-000..... Fork Terminal, yellow

- 2..... L03-0005-000..... Wire Connector, Blue
- 1..... L03-0003-000..... Molded Connector, 16 ga x 8-inch
- 1..... 62853-52..... Wire Assembly, Electric Clutches
- 1..... 62854-38..... Wire Assembly, Electric Clutch to Hitch, 16 ga x 15 Ft
- 2..... L03-0003-070..... Molded Connector, 4 Contact, M & F, 144-inch Wire
- 24 FT..... L05-0011-062..... Flex Guard Loom (2 – 12 Foot Pcs.)
- 6..... 62851-48..... Blank Plate Narrow Cup (For Air Chamber)
- 6..... 62851-66..... Slide Closure, One Hole (Gang Cup)
- 2..... 5808318-5..... Angle Clamp
- 4..... 09071598-5..... Stud Bolt
 - Use: 8 Lock Washer (5/8) (C02-0625-010) (in Place)
 - 8 Wrought Washer (5/8) (C02-0625-030) (in Place)
 - 8 Hex Nut (5/8) (C01-0625-010) (in hardware bag)
- 2.42 Ft... F02-0041-000..... Roller Chain #41 (58 Rollers)
- 1..... F02-0041-001..... Connector Link #41
- 1..... F02-0041-002..... Offset Link #41

Continued on next page...

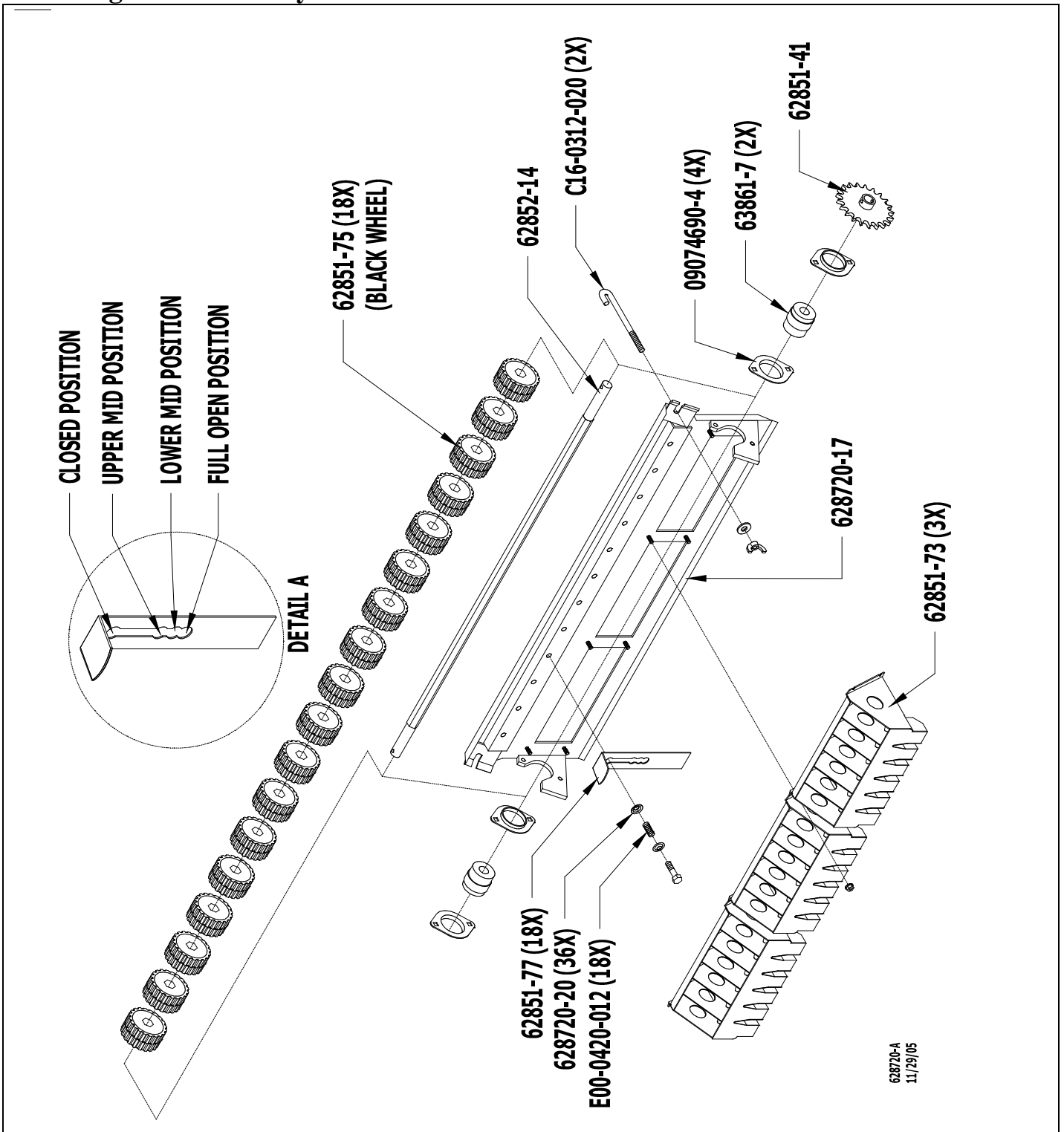
- 1 62853-15.....Housing Drive Shaft (Assembled)
- 1..... 628720-8.....Drive Shaft. Speed Control
 - Use: 2 SAE Washers (1-inch) (C02-1000-020)
 - 1 Cotter Pin (3/16 x 1-1/4) (C20-0187-030)
- 1..... 62853-13.....Sprocket 24-Tooth (1-inch Bore x 1-1/2)
 - Use: 1 Cotter Pin (3/16 x 1-1/4) (C20-0187-030)
- 1 6212-HHardware Bag Containing: (In Parts Carton)**
- 8..... C01-0625-010.....Hex Nut (5/8)
- 8..... C02-0625-010.....Lock Washer (5/8)

Hopper Assembly

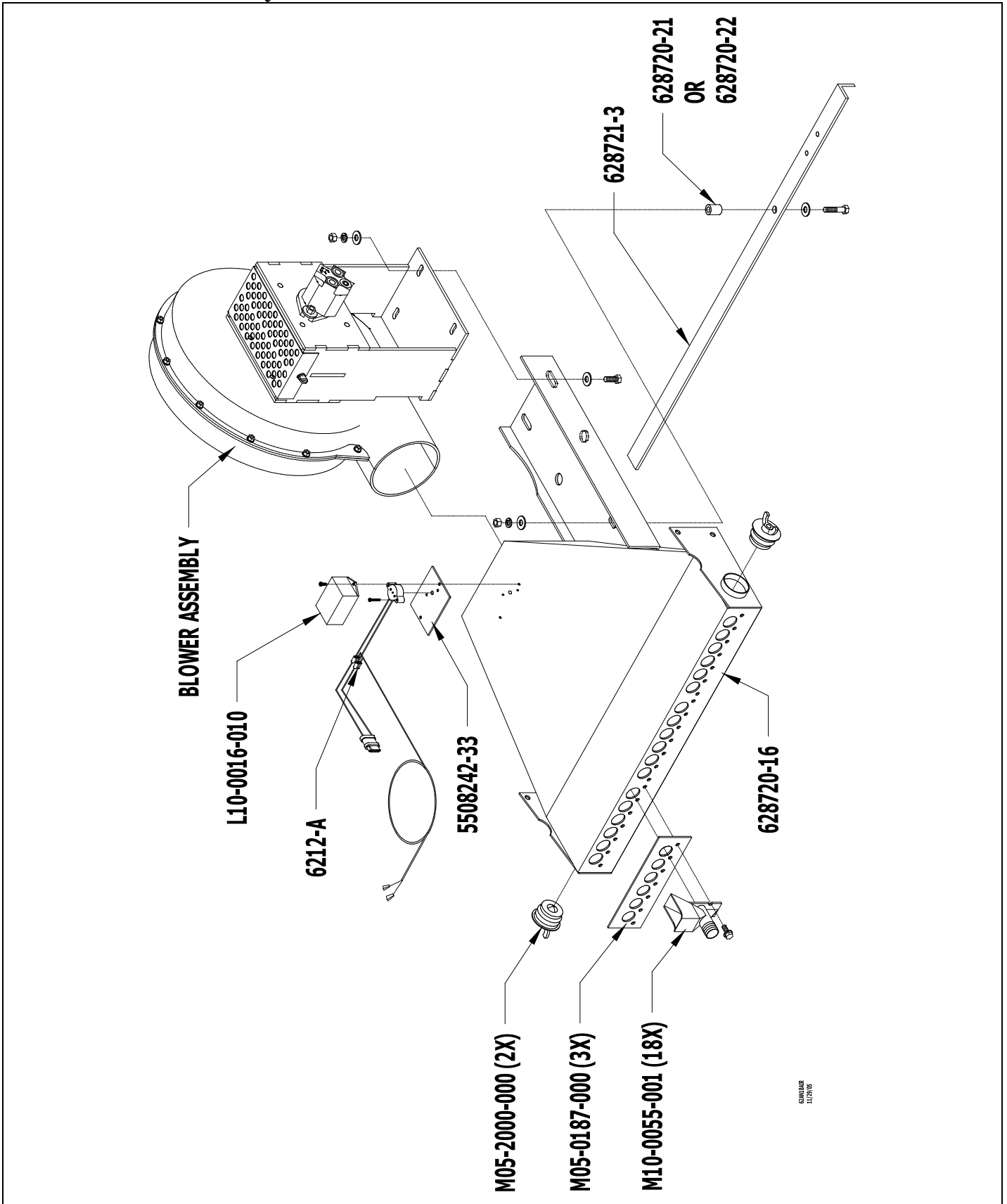


6212
3/12/07

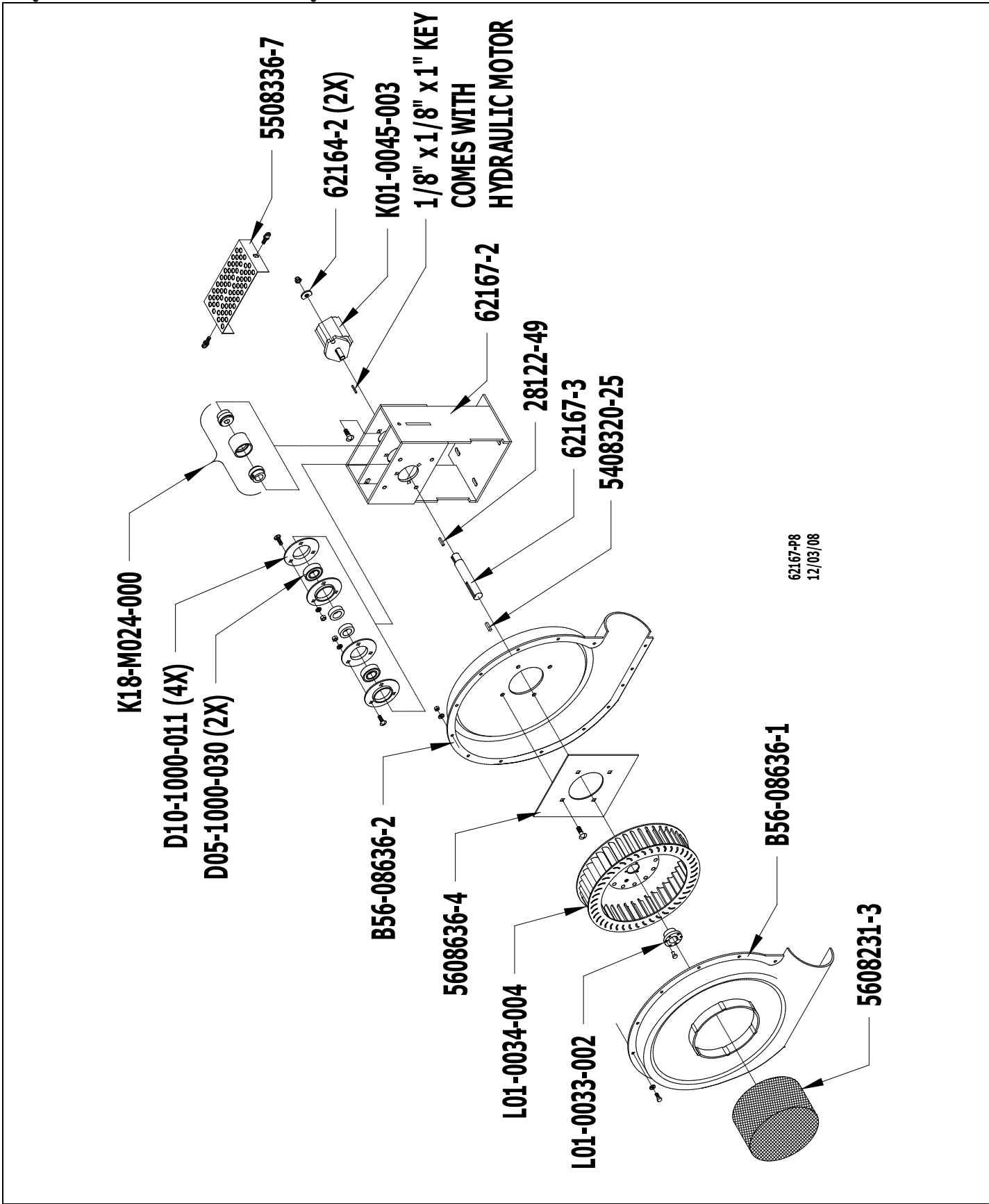
Metering Door Assembly



Air Chamber Assembly

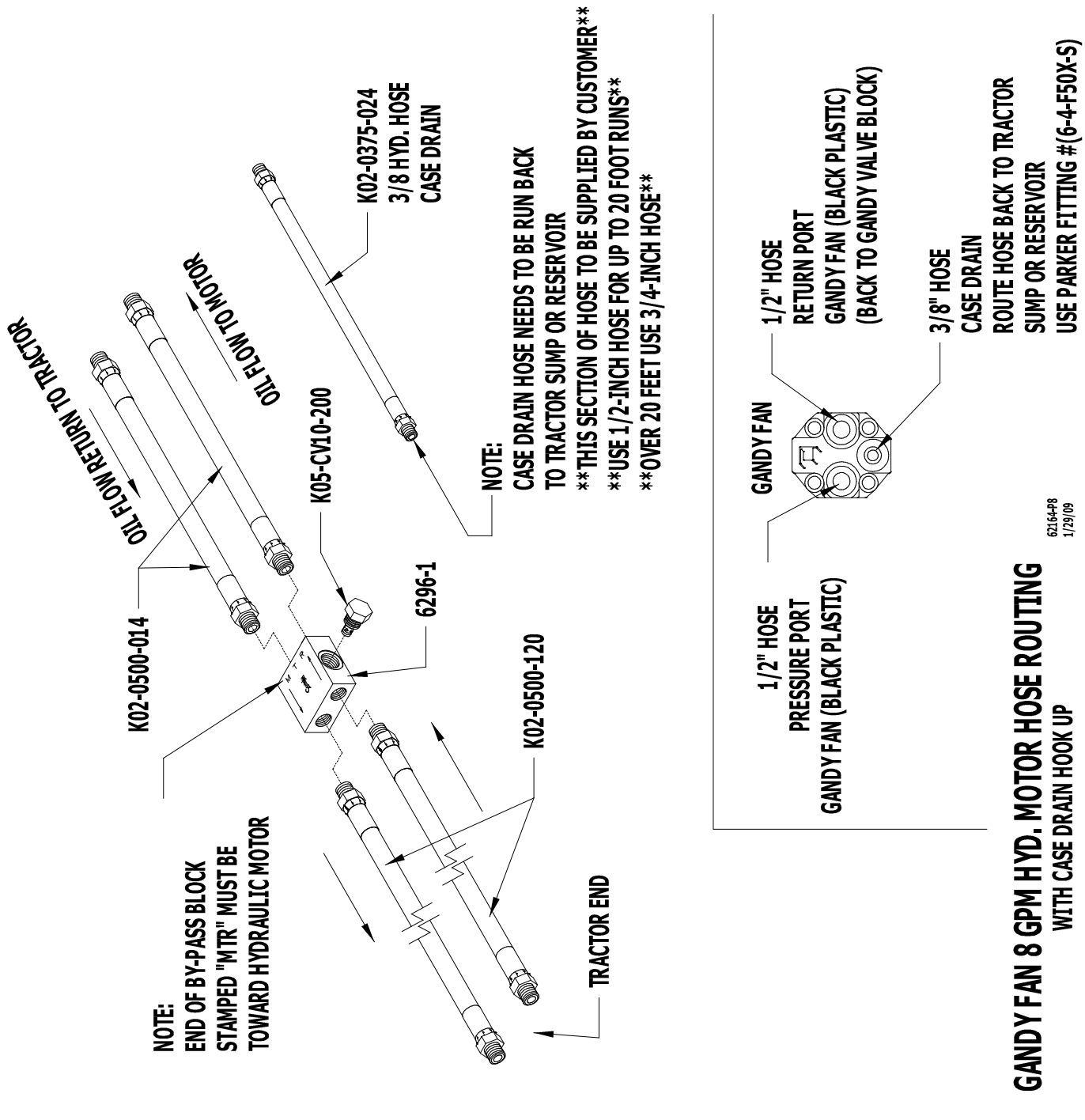


Hydraulic Blower Assembly

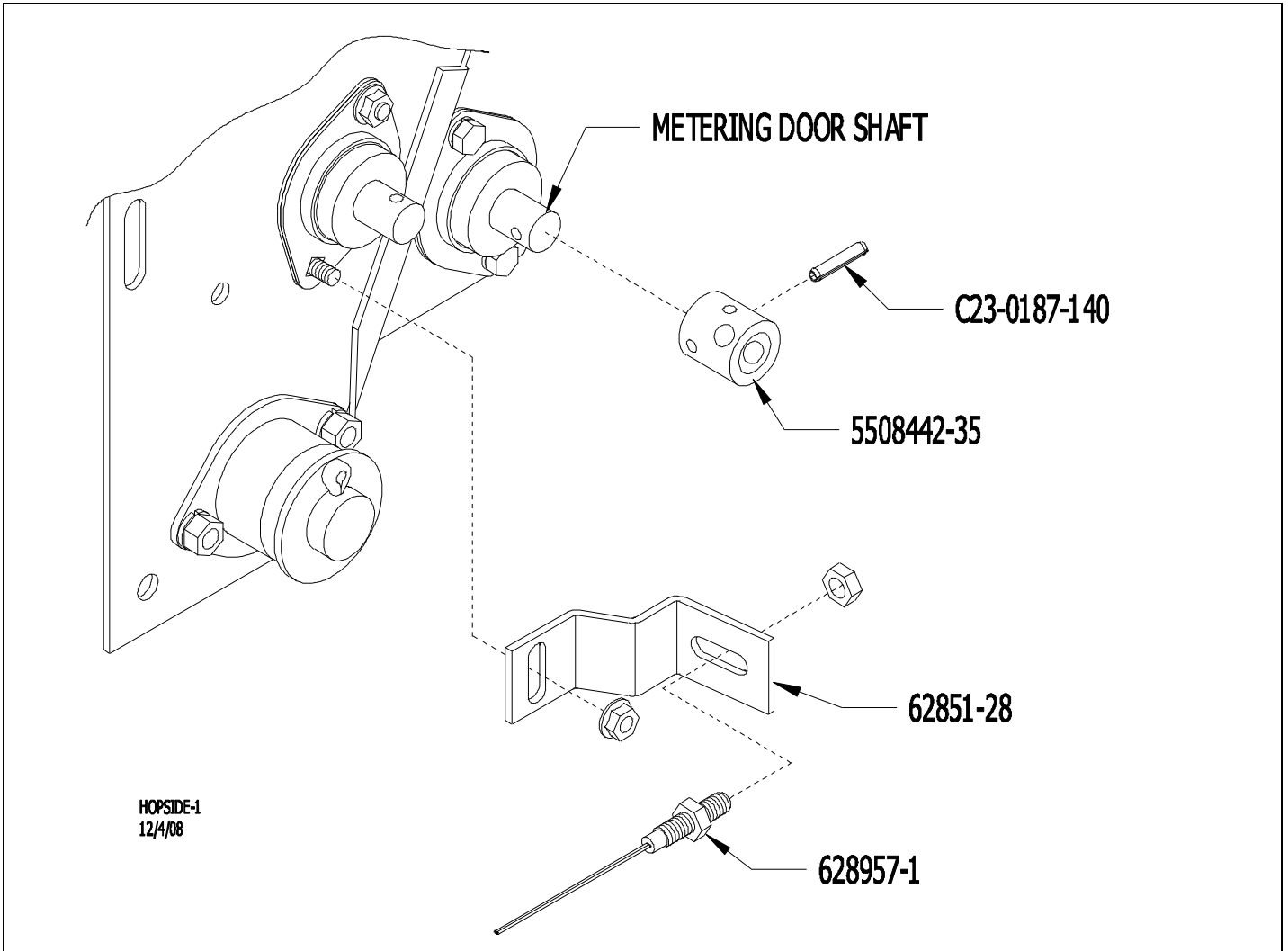


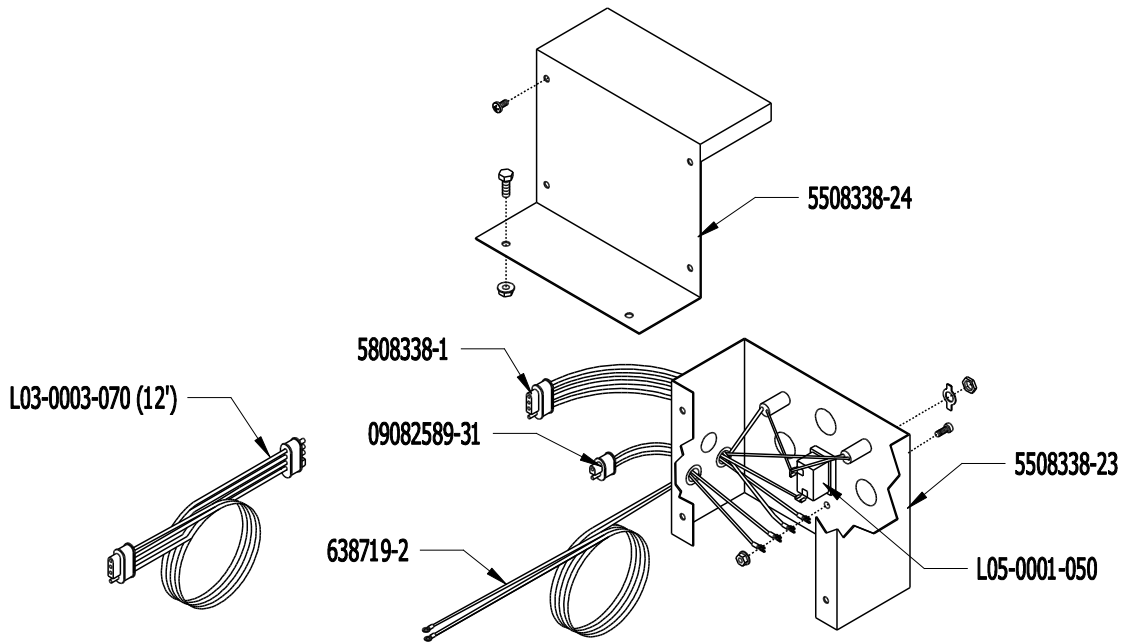
62167-P8
12/03/08

Hydraulic Hose Assembly



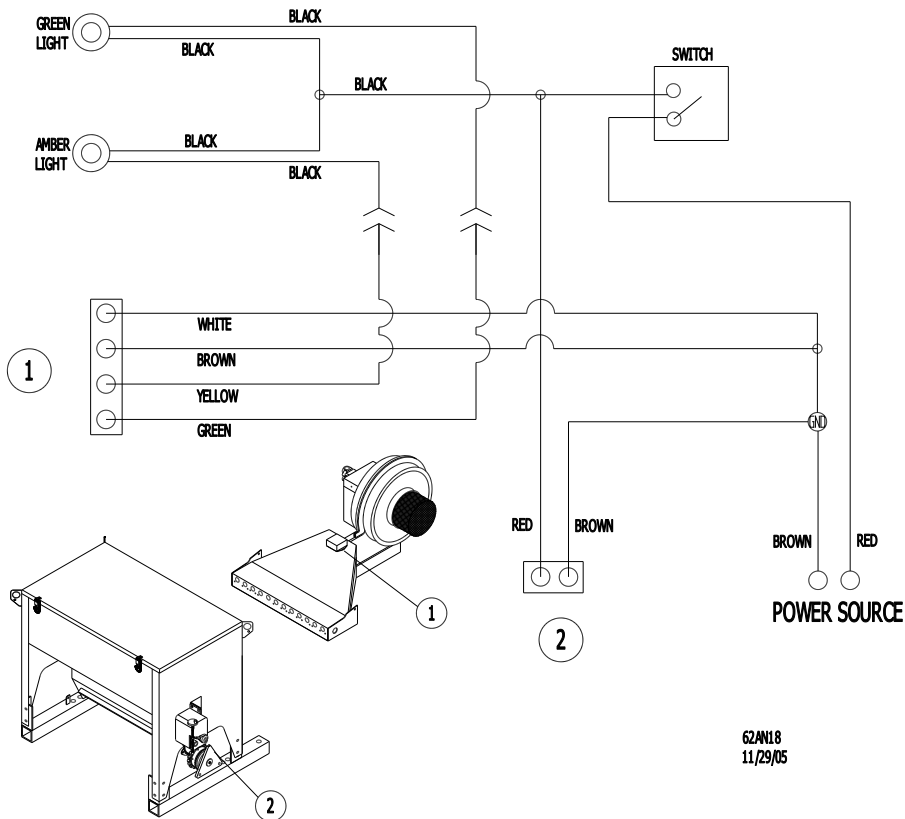
Shaft Sensor





6216E
12/31/03

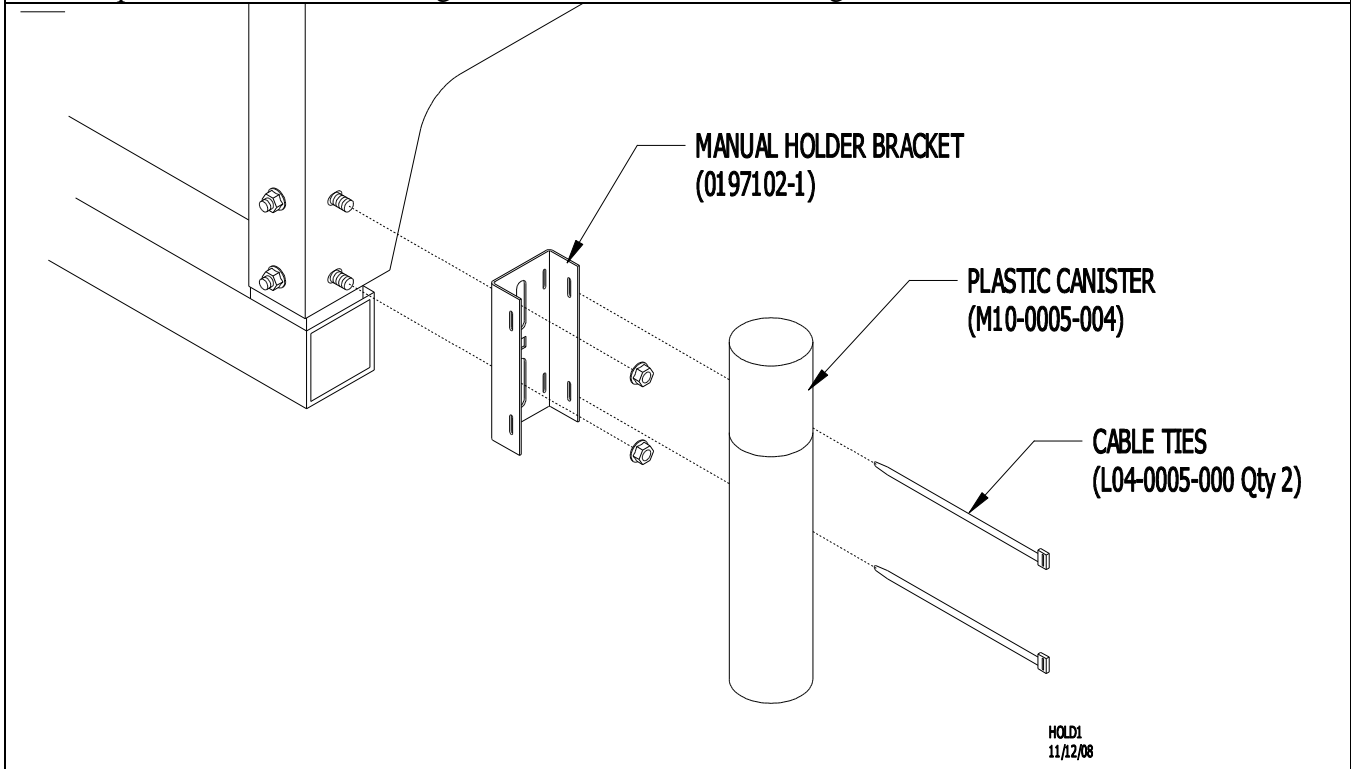
- ① PLUG GOES TO MANIFOLD
- ② PLUG GOES TO CLUTCH



62/AN1.8
11/29/05

Manual Holder Bracket

Mount manual holder to corner of hopper or convergent location on implement.
Store Operator's manual, Packing List & Rate Chart for convergent access.



Maintenance

Check all bolts for tightness after first two hours of use; check periodically thereafter.

Grease all fittings regularly.

There are **three** grease fittings on this hopper. These **must** be greased before use and periodically during use.

Locations: See page 7.

One grease fitting on each 1-inch bearing (D05-1000-010) (two) located on the 1-inch drive shaft (628720-13).

One grease fitting on drive shaft housing (62853-15) located under Speed control (G06-0060-000).

Lucubrate chains as needed.

Periodically clean intake screen on hydraulic driven blower.

GDY-62AN18C-PPL

Drawings: 6212, 628720-A, 62AN18AIR, 62167-P8, 62164-P8, HOPSIDE-1, 6216E, 62AN18, HOLD1

January 2, 2014

Revised from (10/18/11)

Printed in the USA