



Illustrated Parts & Packing List

815 Rice Lake Street, Owatonna, MN 55060

For a complete distributor & dealer list go to www.gandy.net

6504ASB

Adjustable Slotted Bottom, 4-Foot 6500 Series Spreader

For The Following Models

Push Models: 6504ASBH16, 6504ASBH18

Tractor Hitch (Tow) Models: 6504ASBT16, 6504ASBT18

One 6504ABS Hopper Bundle Assembled

- 1 654-1 Hopper, 4-Foot
 - Use: 1 Decal, 65 Series Drop Spreader ASB Bottom (N02-0001-076)
 - 2 Hex Bolt (3/8 x 1) (C03-0375-041) (For Braces)
 - 2 Lock Washer (3/8) (C02-0375-010) (For Braces)
 - 2 Hex Nut (3/8) (C01-0375-010) (For Braces)
- 1 654-5 Bearing, End & Center (in Center)
- 2 6524-8 Bearing, Slotted Bottom (Ends)
- 3 010743 Grease Tube
 - Use: 3 Hex Nut, Fine Thread (3/8-24) (C01-0375-011)
 - 1 Grease Fitting (D01-5010-050)
- 1 6524-7 Hitch Adaptor, Slotted Bottom
 - Use: 4 Hex Bolt (1/4 x 3/4) (C03-0250-030)
 - 4 Whiz Flange Nut Stainless (1/4) (C01-0250-032)
 - 1 Pin Hitch /Handle (0608510)
 - 2 Cotter Pin (1/8 x 3/4) (C20-0125-020)
- 1 6524-1 Slotted Bottom (4-Ft 6500 Series)
- 2 6524-2 Side Sheet, Front /Back, Slotted Bottom 4-ft
 - Use: 17 Carriage Bolt (1/4 x 1/2) (C04-0250-011)
 - 17 Whiz Flange Nut (1/4) C 01-0250-032)
- 1 6524-3 Slotted Bottom Slide (4-FT 6500 Series)
 - Use: 8 Lock Nut, Nylon Stainless (1/4) (C01-0250-043)
 - 8 SAE Washer Stainless (1/4) (C02-0250-021)
- 1 6524-5 Gauge Bracket, Slotted Bottom
 - Use: 3 Carriage Bolt Stainless (1/4 x 1/2) (C04-0250-011)
 - 3 Whiz Flange Nut Stainless (1/4) (C01-0250-032)
- 1 6524-6 Gauge Holder, Slotted Bottom
 - Use: 5 Carriage Bolt Stainless (1/4 x 1/2) (C04-0250-011)
 - 5 Whiz Flange Nut Stainless (1/4) (C01-0250-032)
 - 1 Clevis Pin (5/16 x 4) (C22-0312-310)
 - 1 Cotter Pin (1/8 x 3/4) (C20-0125-020)
- 1 0108075 Cam Gauge
 - Use: 1 Carriage Bolt (1/2 x 2-1/2) (C04-0500-100)
 - 2 Wrought Washer (1/2) (C02-0500-030)
 - 1 Shake Proof Washer External Tooth (1/2) (C02-0500-040)
 - 1 Wing Nut, Large (1/2) (C01-0500-021)

Continued on next page...

- 2 6524-4.....Rotor Bar, 4-Ft Slotted Bottom
- 2 654-4.....Spacer, Stainless Steel
- 1 654-2.....Cover, 4-Foot
 - Use: 1 Decal, Warning, Rotating (N02-0055-010)
 - 1 Decal, Never Place Fingers (N02-0057-000)
 - 2 Clevis Pin (1/4 x 2-5/8) (C22-0250-200)
 - 4 Cotter Pin (3/32 x 3/4) (C20-0093-020)
 - 2 Cover Lock (1406318)
- 2 654-7.....Brace, 4-Foot (**Shipped Inside Crate**)
- 1 Packet, Containing: (Shipped Inside Hopper) Operators Manual & Packing List**

When Machine is Shipped w/ Push Handle, Less Tractor Hitch:

- 1.....6530.....Handle Bundle Containing:** (These Parts Are Assembled)
- 1 0605520.....Handle & Rate Control Lever
 - Use: 3 Rubber Grip (J01-0625-450)
 - 1 Hex Bolt (3/8 x 1) (C03-0375-041)
 - 1 Lock Washer (3/8) (C02-0375-010)
 - 1 Hex Nut (3/8) (C01-0375-010)
 - 1 0605219.....Stand, Adjustable Pipe
 - Use: 2 Plastic Cap (J02-0625-000)
 - 1 Thumb Screw (3/8 x 1) (C09-0375-160)
 - 1 6524-10.....Connector Link, Rate Control
 - Use: 2 Cotter Pin (3/32 x 3/4) (C20-0093-020) (in place)

When Machine is Shipped w/ Tractor Hitch, Less Handles:

- 1.....6531.....Tractor Hitch / Lever Package Containing:**
(All Hardware in Parts Bag Unless Otherwise Specified)
- 1 654-12.....Pole (Tractor Hitch 57-21/32 Long)
 - Use: 2 Hex Bolt (3/8 x 1) (C03-0375-041)
 - 2 Lock Washer (3/8) (C02-0375-010)
 - 2 Hex Nut (3/8) (C01-0375-010)
 - 1 069242-2.....Shut-Off Lever (**Banded to Pole for Shipping**)
 - Use: 1 Plastic Grip (3/4 x 3) (J01-0750-300) (**in Place**)
 - 2 Hex Bolt (3/8 x 1) (C03-0375-041)
 - 2 Lock Washer (3/8) (C02-0375-010)
 - 2 Hex Nut (3/8) (C01-0375-010)
 - 1 654-13.....Connector Rod (46-1/2 Long) (**Banded to Pole for Shipping**)
 - Use: 2 Hex Bolt (3/8 x 1) (C03-0375-041)
 - 2 Lock Nut, Nylon (3/8) (C01-0375-041)
 - 1 069242-3.....Mounting Bracket, Shut-Off Lever (**in Hardware Bag**)
 - Use: 1 Hex Bolt (1/2 x 3-1/4) (C03-0500-130)
 - 2 Wrought Washer (1/2) (C02-0500-030)
 - 1 Lock Nut, Center Point (1/2) (C01-0500-040)
 - 1 069242-4.....Knee Lever (**in Hardware Bag**)
 - Use: 1 Hex Bolt (1/2 x 4) (C03-0500-161)
 - 2 Wrought Washer (1/2) (C02-0500-030)
 - 1 Lock Nut Center Point (1/2) (C01-0500-040)
 - 1 6524-9.....Connector Link (**in Hardware Bag**)
 - Use: 1 Cotter Pin (1/8 x 3/4) (C20-0125-020)
 - 1 6531-HParts Bag Containing: (Banded To Pole)**
 - 4..... C01-0375-010.....Hex Nut (3/8)
 - 2..... C01-0375-041.....Lock Nut, Nylon (3/8)
 - 2..... C01-0500-040.....Lock Nut, Center Point (1/2)
 - 4..... C02-0375-010.....Lock Washer (3/8)
 - 4..... C02-0500-030.....Wrought Washer (1/2)
 - 6..... C03-0375-041.....Hex Bolt (3/8 x 1)
 - 1..... C03-0500-130.....Hex Bolt (1/2 x 3-1/4)
 - 1..... C03-0500-161.....Hex Bolt (1/2 x 4)
 - 1..... C20-0125-020.....Cotter Pin (1/8 x 3/4)
 - 1..... 069242-3.....Mounting Bracket, Shut-Off Lever
 - 1..... 069242-4.....Knee Lever
 - 1..... 6524-9.....Connector Link

One of the Following Wheel Cartons Shipped w/ Spreader:

1.....65A16.....16-inch Pneumatic Tire Carton Containing:

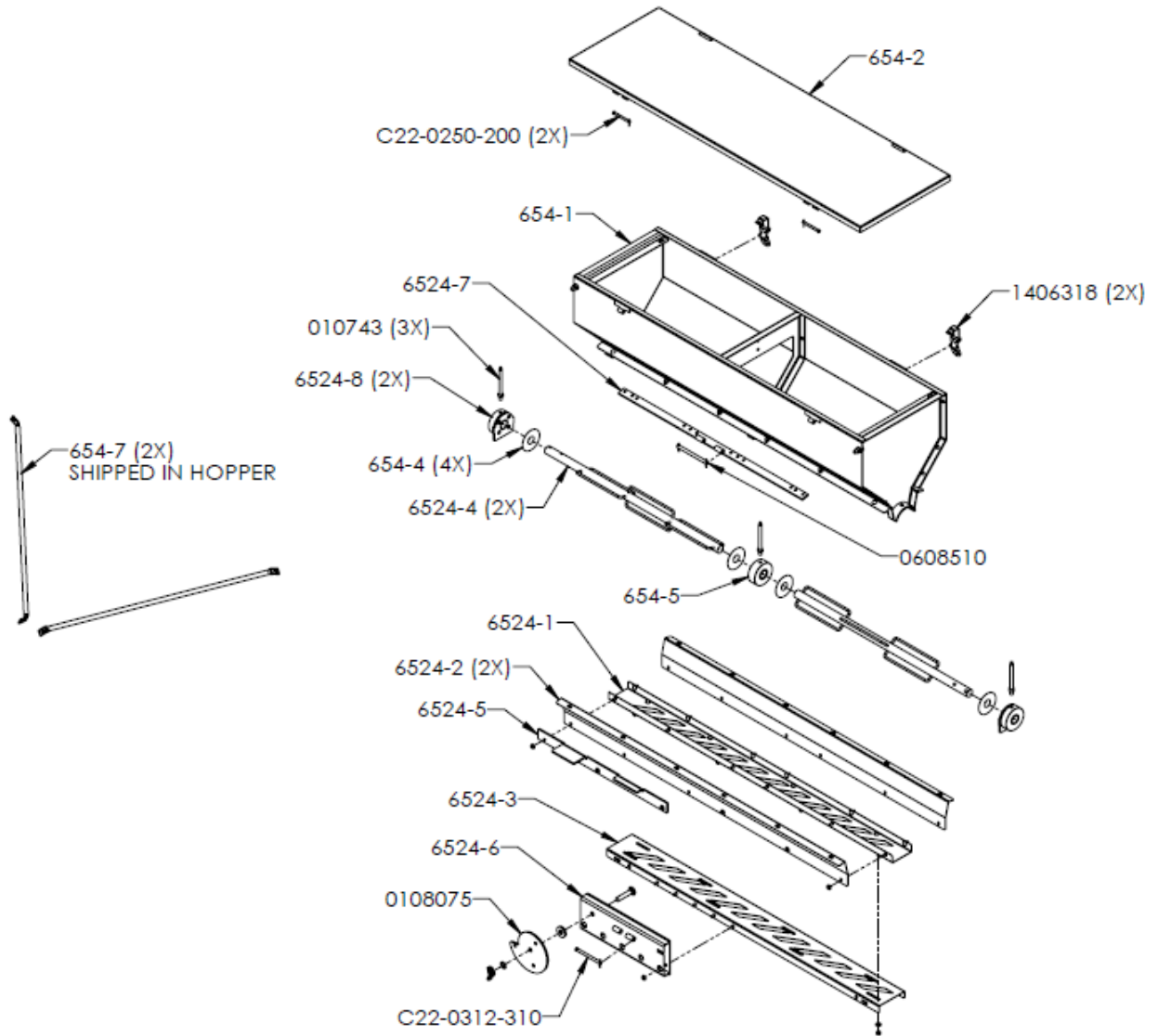
- 2 R02-0016-000..... 16 x 8 Tire & Rim
- 1 65A16-A..... Parts Bag Containing The Following:
 - 2 654-6..... Spacer Bushing
 - 2 C22-0375-100..... Clevis Pin (3/8 x 1-3/4)
 - 2 C20-0156-010..... Cotter Pin (5/32 x 3/4)

OR

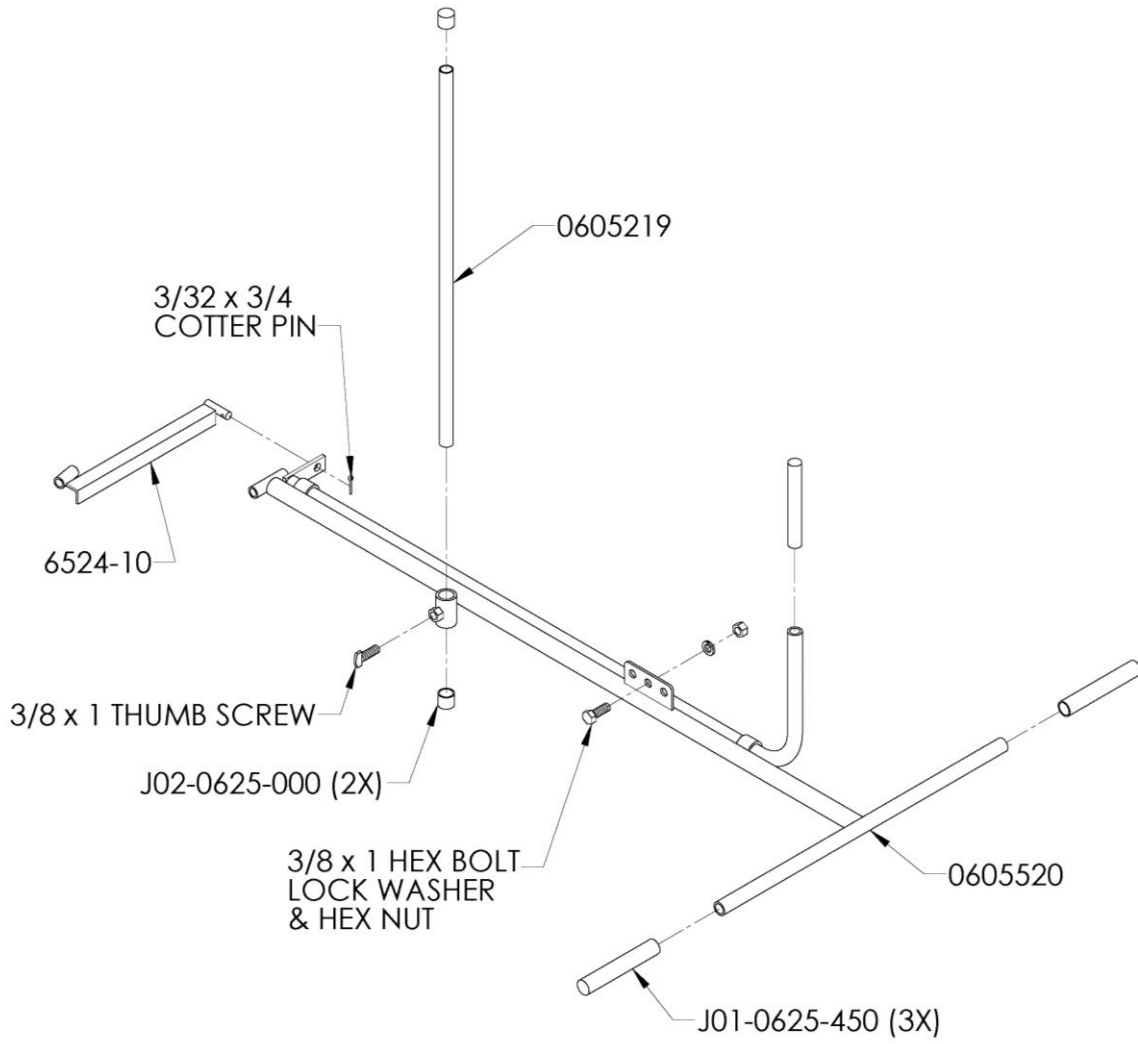
1.....65A18.....18-inch Flotation Tire Carton Containing:

- 2 656-8..... Wheel Hub
 - 8 C01-0500-080..... Hub Nut (1/2-20) (**in place on hub**)
- 2 R02-0008-011..... 18 x 8.50 – 8 Rib Tire
- 1 65A18-A..... Parts Bag Containing The Following:
 - 2 C22-0312-140..... Clevis Pin (5/16 x 1-7/8)
 - 2 C20-0125-020..... Cotter Pin (1/8 x 3/4)

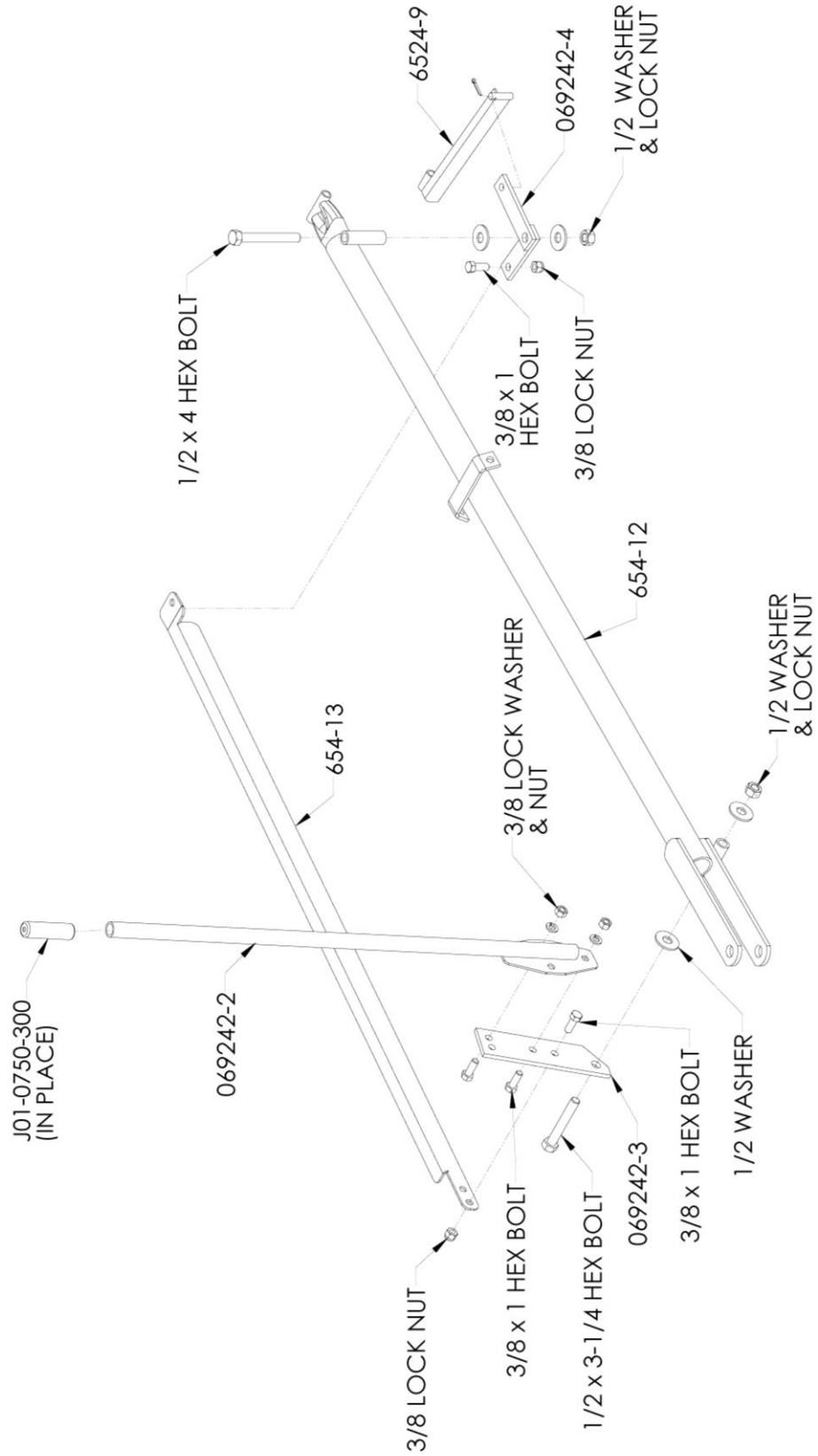
6504 Hopper Bundle (ASSEMBLED)



6530 Handle Bundle

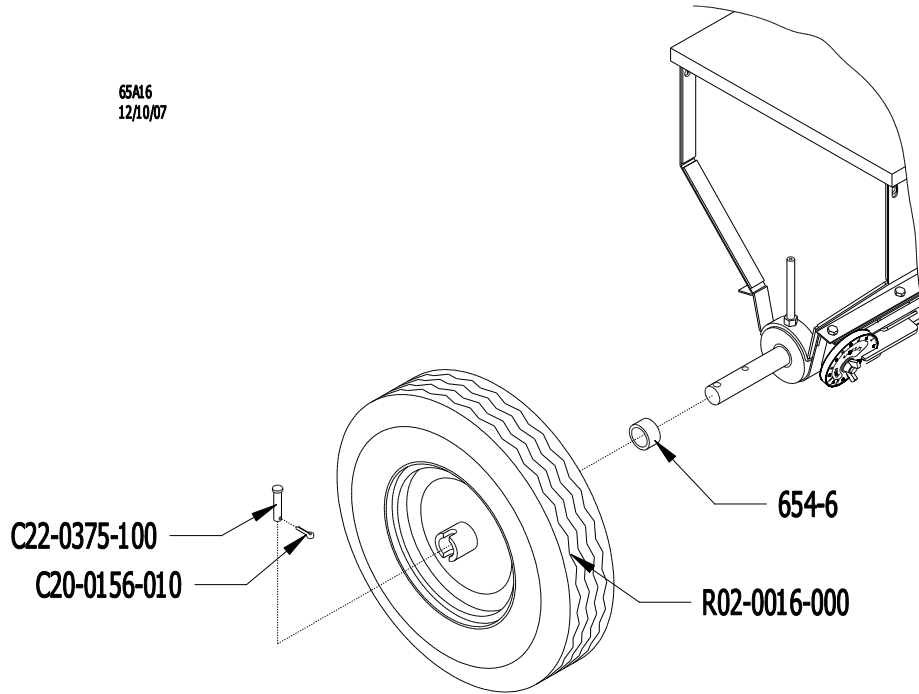


6531 Tractor Hitch / Lever Package



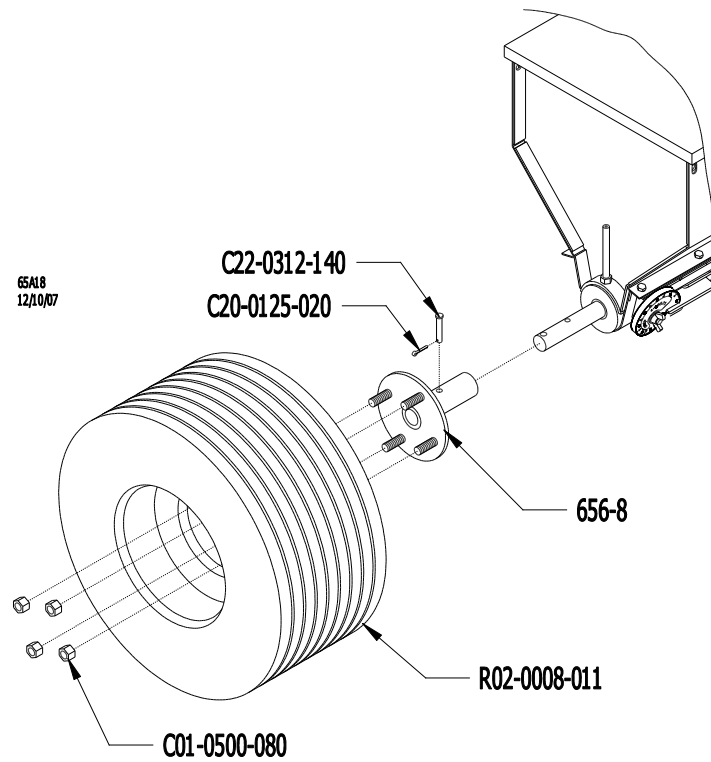
65A16 16-inch Pneumatic Tire Carton Containing:

65A16
12/10/07



65A18 18-inch Floatation Tire Carton Containing:

65A18
12/10/07



GDY-6504ASB-HT-PPL
Drawings: 6504ABS
July 24, 2013
Revised From (7/15/13)
Printed in the USA