



Illustrated Parts & Packing List

815 Rice Lake Street, Owatonna, MN 55060

For a complete distributor & dealer list go to www.gandy.net

6504

4-Foot 6500 Series Spreader

For The Following Models

Push Models: 6504H16, 6504H18, 6504H20, 6504H26

Tractor Hitch (Tow) Models: 6504T16, 6504T18, 6504T20, 6504T26

One 6504 Hopper Bundle Assembled

- 1..... 654-1..... Hopper, 4-Foot
 - Use: 1 Decal, 65 Series Drop Spreader (N02-0001-075)
 - 2 Hex Bolt (3/8 x 1) (C03-0375-041) (For Braces)
 - 2 Lock Washer (3/8) (C02-0375-010) (For Braces)
 - 2 Hex Nut (3/8) (C01-0375-010) (For Braces)
- 3..... 654-5..... Bearing, End & Center
- 3..... 010743..... Grease Tube
 - Use: 3 Hex Nut, Fine Thread (3/8-24) (C01-0375-011)
 - 1 Grease Fitting (D01-5010-050)
- 1..... 0646511..... Bottom & Slide, 4-Foot (20-openings) (Assembled)
 - Use: 12 Hex Bolt (1/4 x 5/8) (C03-0250-020)
 - 12 Whiz Flange Nut (1/4) (C01-0250-030)
 - 12 Wrought Washer (1/4) (C02-0250-030)
 - 3 Tension "T" Bracket (0105215)
 - 3 Hex Bolt (1/4 x 2-1/4) (C03-0250-090)
 - 3 Hex Nut (1/4) (C01-0250-010)
 - 3 Spring (E01-05215-3)
- 1..... C22-0312-310..... Clevis Pin (5/16 x 4)
 - Use: 1 Cotter Pin (1/8 x 3/4) (C20-0125-020)
- 1..... 0608510..... Pin, Hitch Handle
 - Use: 2 Cotter Pin (1/8 x 3/4) (C20-0125-020)
- 1..... 0405575..... Cam Gauge
 - Use: 1 SAE Washer (3/8) (C02-0375-020)
 - 1 Wing Nut (3/8) (C01-0375-020)
- 1..... 654-2..... Cover, 4-Foot
 - Use: 1 Decal, Warning, Rotating (N02-0055-010)
 - 1 Decal, Never Place Fingers (N02-0057-000)
 - 2 Clevis Pin (1/4 x 2-5/8) (C22-0250-200)
 - 4 Cotter Pin (3/32 x 3/4) (C20-0093-020)
 - 2 Cover Lock (1406318)
- 4..... 654-4..... Spacer, Stainless Steel
- 2..... 654-3..... Rotor Bar, 4-Foot
- 1..... 0645521..... Wind Guard, 4-Foot (Spread plate)
 - Use: 2 Sash Chain (#50) (21-Links) (05108121-1/1) **(in place)**
 - 2 Cotter Pin (3/16 x 3/4) (C20-0187-010) **(in place)**
- 2..... 654-7..... Brace, 4-Foot **(Shipped Inside Crate)**

1..... Packet, Containing: (Shipped Inside Hopper) Rate Chart, Operators Manual & Packing List

When Machine is Shipped w/ Push Handle, Less Tractor Hitch:

- 1.....06A5520.....**Handle Bundle Containing:** (These Parts Are Assembled)
- 1 0605520.....Handle & Rate Control Lever
 - Use: 3 Rubber Grip (J01-0625-450)
 - 1 Hex Bolt (3/8 x 1) (C03-0375-041)
 - 1 Lock Washer (3/8) (C02-0375-010)
 - 1 Hex Nut (3/8) (C01-0375-010)
 - 1 0605219.....Stand, Adjustable Pipe
 - Use: 2 Plastic Cap (J02-0625-000)
 - 1 Thumb Screw (3/8 x 1) (C09-0375-160)
 - 1 0605227.....Connector Link, Rate Control
 - Use: 2 Cotter Pin (3/32 x 3/4) (C20-0093-020) (in place)

When Machine is Shipped w/ Tractor Hitch, Less Handles:

- 1.....069242.....**Tractor Hitch / Lever Package Containing:**
(All Hardware in Parts Bag Unless Otherwise Specified)
- 1 654-12.....Pole (Tractor Hitch 57-21/32 Long)
 - Use: 2 Hex Bolt (3/8 x 1) (C03-0375-041)
 - 2 Lock Washer (3/8) (C02-0375-010)
 - 2 Hex Nut (3/8) (C01-0375-010)
 - 1 069242-2.....Shut-Off Lever **(Banded to Pole for Shipping)**
 - Use: 1 Plastic Grip (3/4 x 3) (J01-0750-300) **(in Place)**
 - 2 Hex Bolt (3/8 x 1) (C03-0375-041)
 - 2 Lock Washer (3/8) (C02-0375-010)
 - 2 Hex Nut (3/8) (C01-0375-010)
 - 1 654-13.....Connector Rod (46-1/2 Long) **(Banded to Pole for Shipping)**
 - Use: 2 Hex Bolt (3/8 x 1) (C03-0375-041)
 - 2 Lock Nut, Nylon (3/8) (C01-0375-041)
 - 1 069242-3.....Mounting Bracket, Shut-Off Lever **(in Hardware Bag)**
 - Use: 1 Hex Bolt (1/2 x 3-1/4) (C03-0500-130)
 - 2 Wrought Washer (1/2) (C02-0500-030)
 - 1 Lock Nut, Center Point (1/2) (C01-0500-040)
 - 1 069242-4.....Knee Lever **(in Hardware Bag)**
 - Use: 1 Hex Bolt (1/2 x 4) (C03-0500-161)
 - 2 Wrought Washer (1/2) (C02-0500-030)
 - 1 Lock Nut Center Point (1/2) (C01-0500-040)
 - 1 069242-5.....Connector Link **(in Hardware Bag)**
 - Use: 1 Cotter Pin (1/8 x 3/4) (C20-0125-020)
 - 1 **069242-H****Parts Bag Containing: (Banded To Pole)**
 - 4..... C01-0375-010.....Hex Nut (3/8)
 - 2..... C01-0375-041.....Lock Nut, Nylon (3/8)
 - 2..... C01-0500-040.....Lock Nut, Center Point (1/2)
 - 4..... C02-0375-010.....Lock Washer (3/8)
 - 4..... C02-0500-030.....Wrought Washer (1/2)
 - 6..... C03-0375-041.....Hex Bolt (3/8 x 1)
 - 1..... C03-0500-130.....Hex Bolt (1/2 x 3-1/4)
 - 1..... C03-0500-161.....Hex Bolt (1/2 x 4)
 - 1..... C20-0125-020.....Cotter Pin (1/8 x 3/4)
 - 1..... 069242-3.....Mounting Bracket, Shut-Off Lever
 - 1..... 069242-4.....Knee Lever
 - 1..... 069242-5.....Connector Link

One of the Following Wheel Cartons Shipped w/ Spreader:

1.....65A16.....16-inch Pneumatic Tire Carton Containing:

- 2 R02-0016-000..... 16 x 8 Tire & Rim
- 1 65A16-A..... Parts Bag Containing The Following:
 - 2 654-6..... Spacer Bushing
 - 2 C22-0375-100..... Clevis Pin (3/8 x 1-3/4)
 - 2 C20-0156-010..... Cotter Pin (5/32 x 3/4)

OR

1.....65A18.....18-inch Flotation Tire Carton Containing:

- 2 656-8..... Wheel Hub
- 8 C01-0500-080..... Hub Nut (1/2-20) (in place on hub)
- 2 R02-0008-011..... 18 x 8.50 – 8 Rib Tire
- 1 65A18-A..... Parts Bag Containing The Following:
 - 2 C22-0312-140..... Clevis Pin (5/16 x 1-7/8)
 - 2 C20-0125-020..... Cotter Pin (1/8 x 3/4)

OR

1.....65A20.....20-inch Semi-Pneumatic Tire Carton Containing:

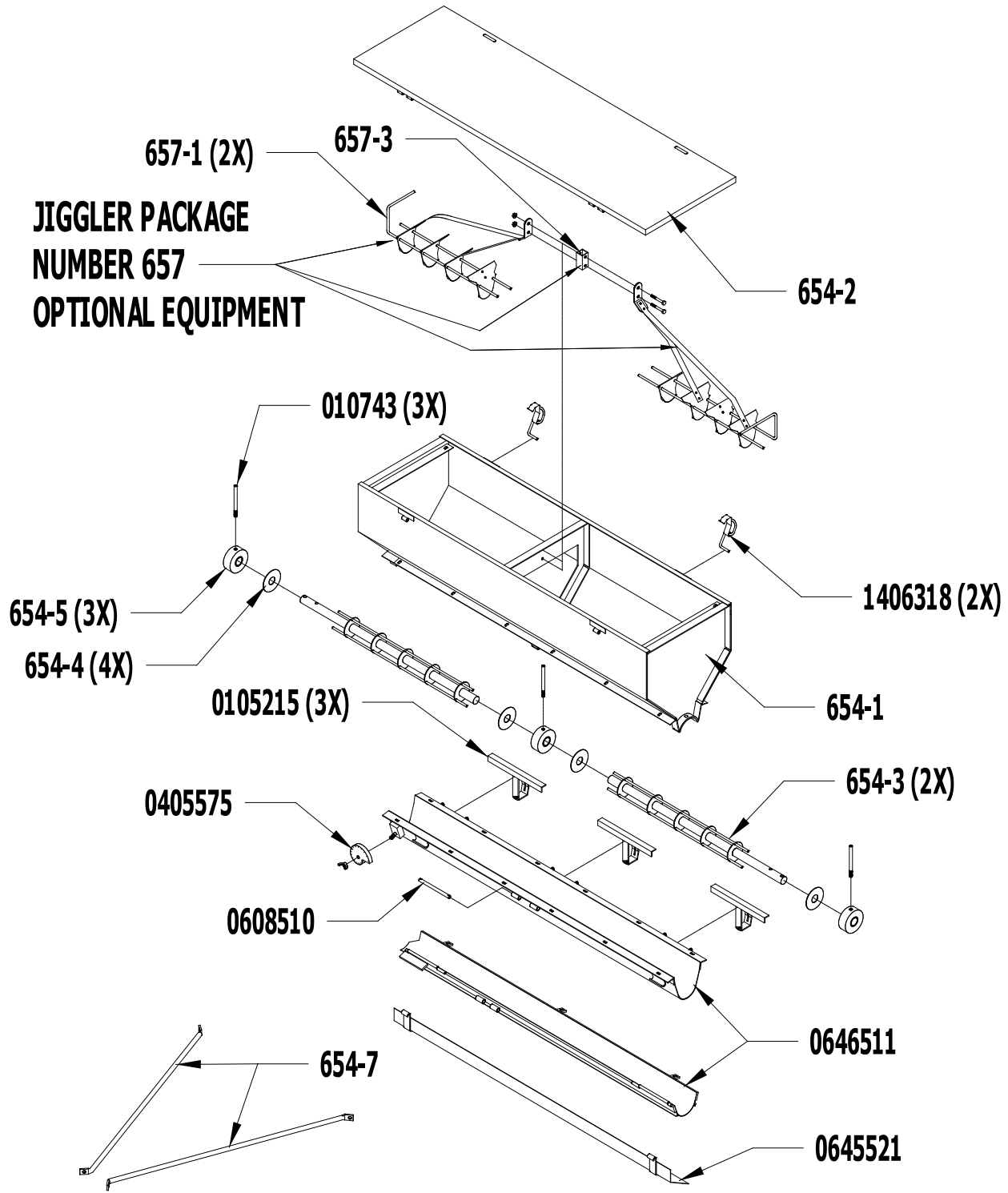
- 2 28B20716-C3 Disc Wheel 20-inch with Tire
- 1 65A20-A..... Parts Bag Containing The Following:
 - 2 C22-0312-220..... Clevis Pin (5/16 x 2-1/2)
 - 2 C20-0125-020..... Cotter Pin (1/8 x 3/4)
 - 2 654-9..... Wheel Adapter

OR

1.....65A26.....26-inch Semi-Pneumatic Tire Carton Containing:

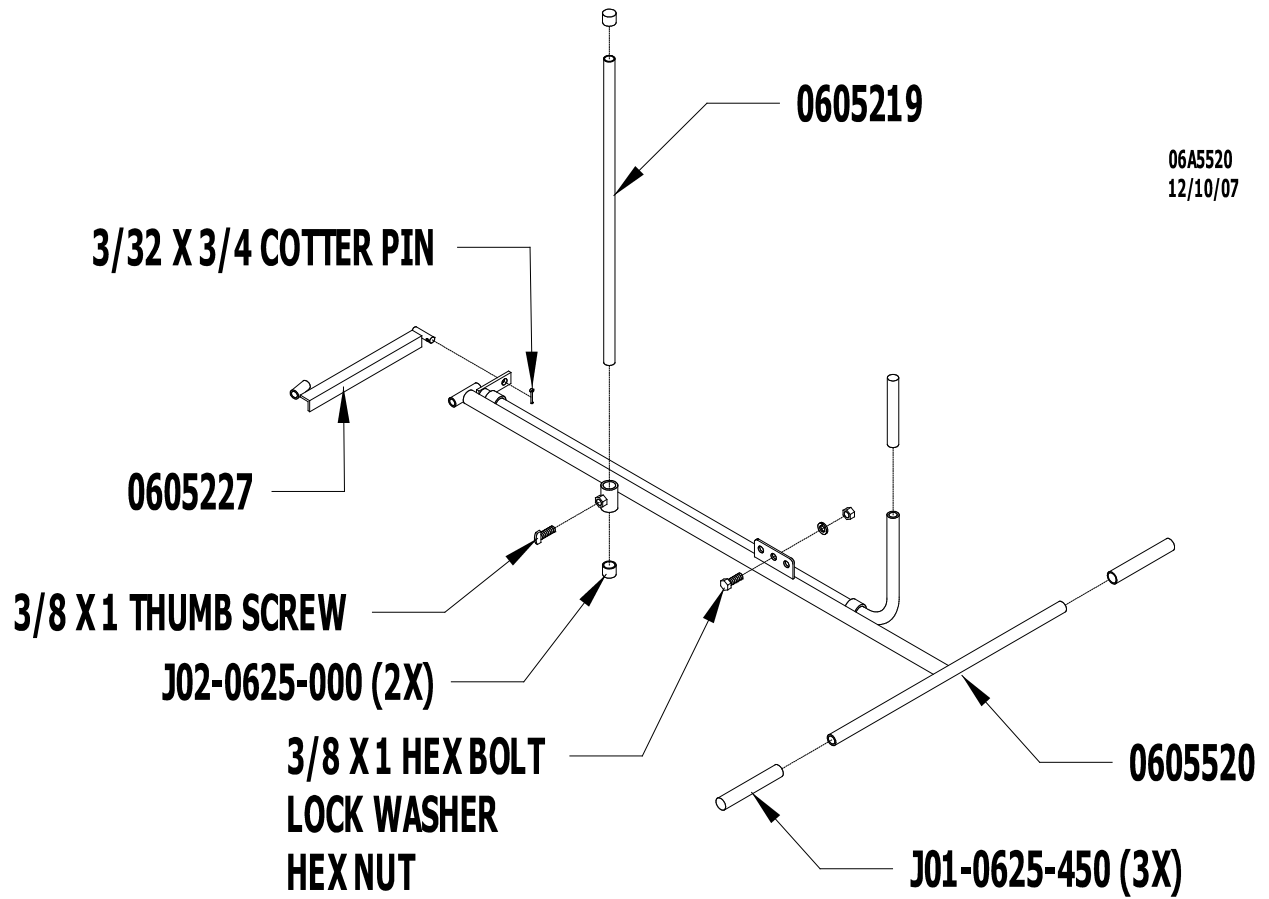
- 2 28B26716-C3 Disc Wheel 26-inch with Tire
- 1 65A26-A..... Parts Bag Containing The Following:
 - 2 C22-0312-220..... Clevis Pin (5/16 x 2-1/2)
 - 2 C20-0125-020..... Cotter Pin (1/8 x 3/4)
 - 2 654-9..... Wheel Adapter

6504 Hopper Bundle

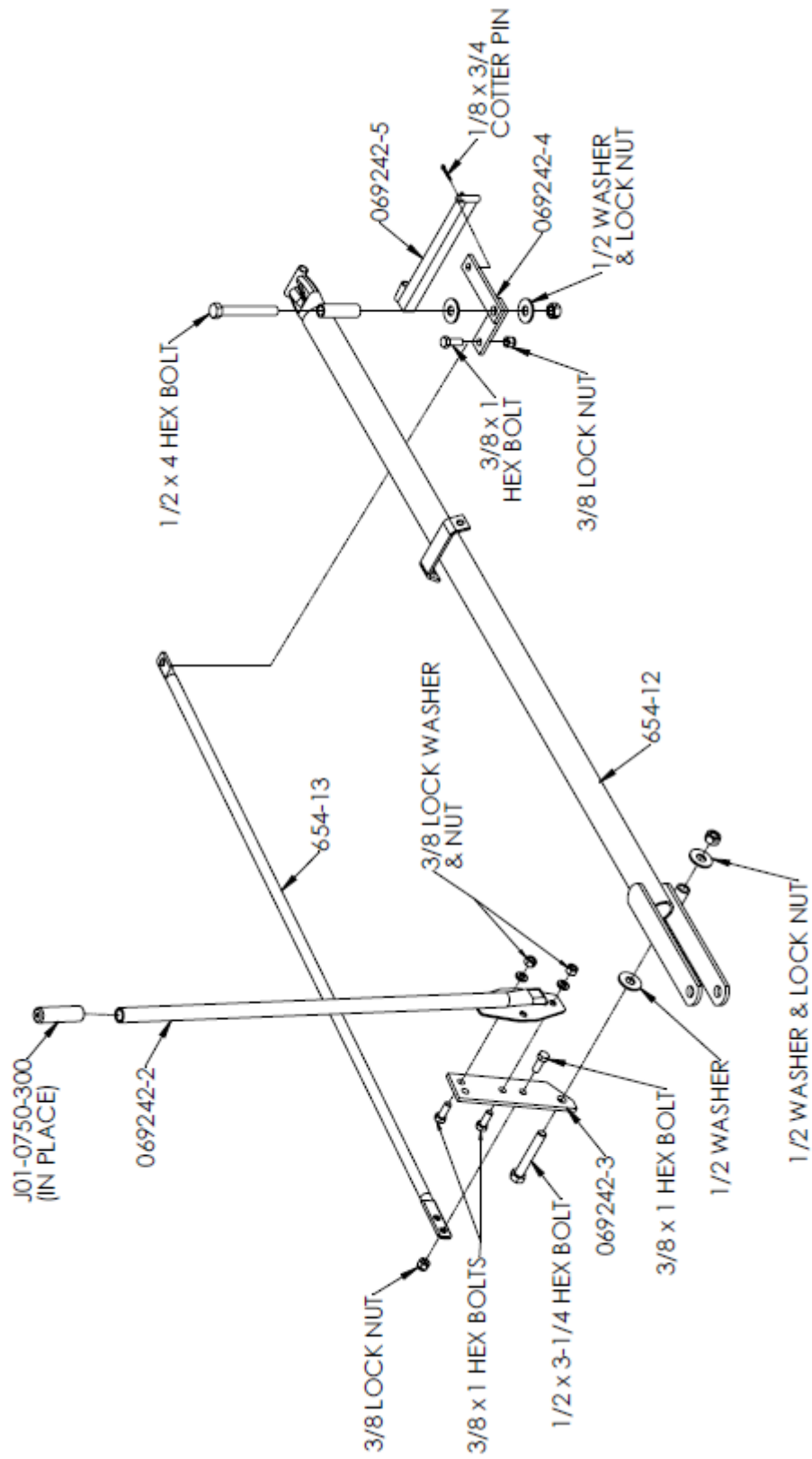


06A5520 Handle Bundle

06A5520
12/10/07

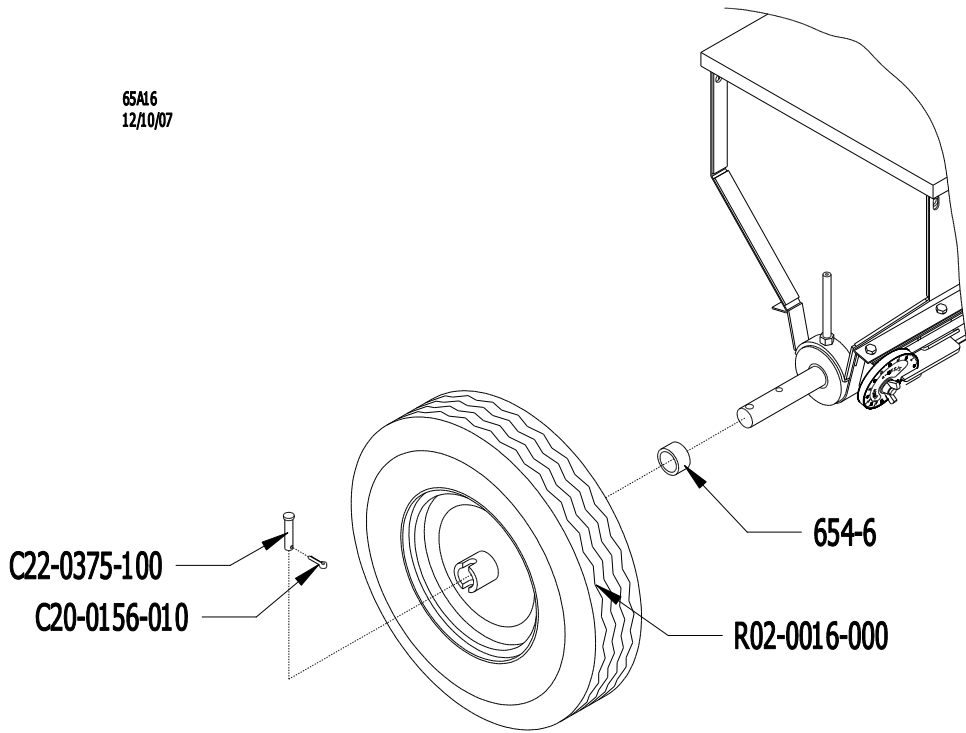


069242 Tractor Hitch / Lever Package



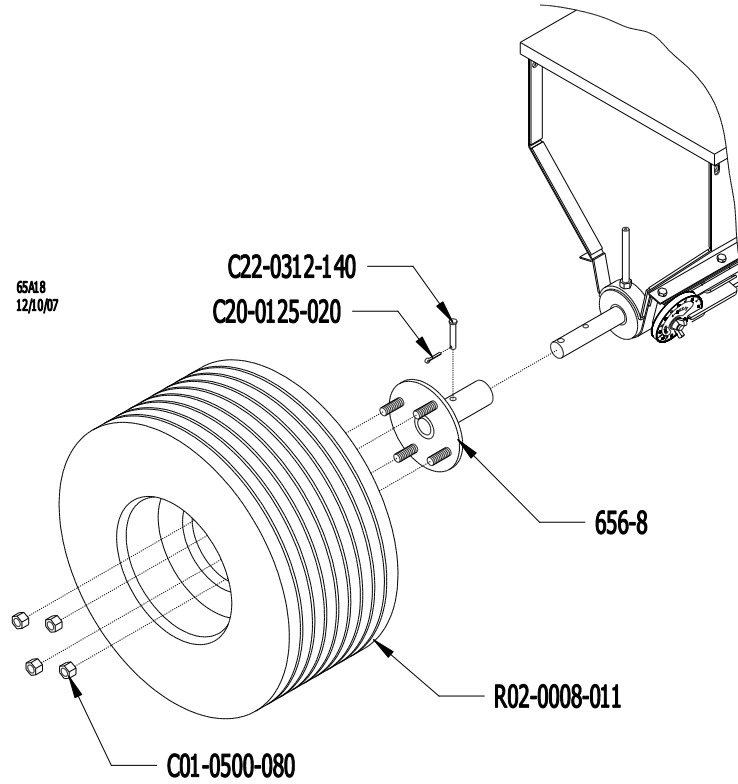
65A16 16-inch Pneumatic Tire Carton Containing:

65A16
12/10/07



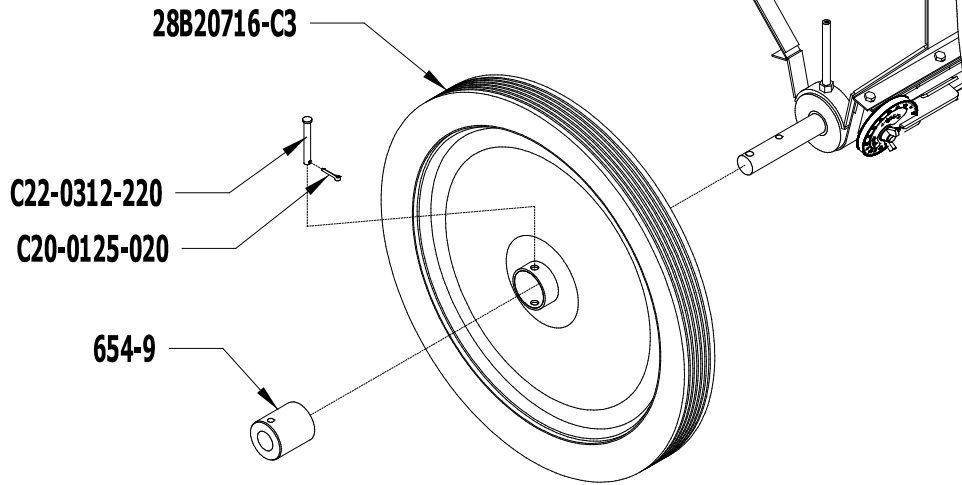
65A18 18-inch Floatation Tire Carton Containing:

65A18
12/10/07



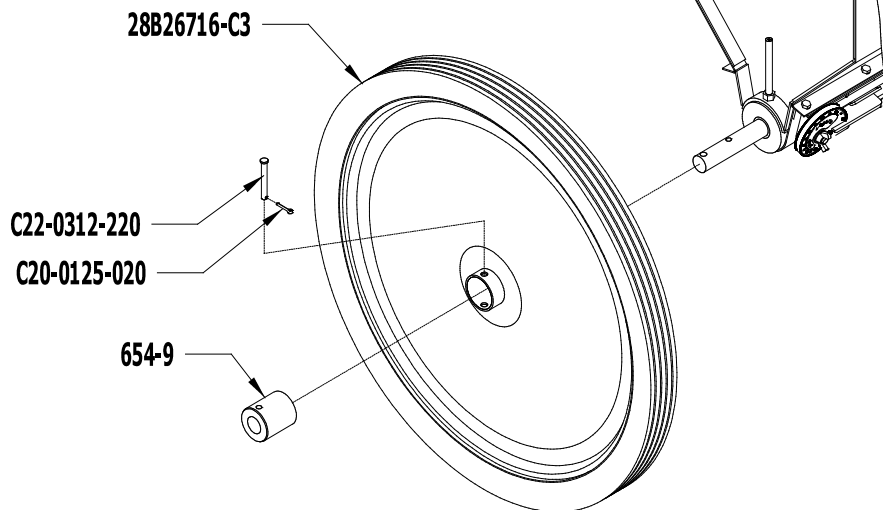
65A20 20-inch Semi-Pneumatic Tire Carton Containing:

65A20
3/26/09



65A26 26-inch Semi-Pneumatic Tire Carton Containing:

65A26
3/26/09



GDY-6504-PPL
Drawings: 6504
September 27, 2011
Revised From (12/8/10)
(6504) mw
Printed in the USA