



Illustrated Parts & Packing List

815 Rice Lake Street, Owatonna, MN 55060

Phone: 800-443-2476 / 507-451-5430

www.gandy.net / Email: sales@gandy.net

Model 6505

5-Foot 6500 Series Spreader

For The Following Models

Push Models: 6505H16 & 6505H18

Tractor Hitch (Tow) Models: 6505T16 & 6505T18

One 6505 Hopper Bundle Containing

- 1..... 655-1..... Hopper, 5-Foot
Use: 1 Decal, 65 Series Drop Spreader (N02-0001-075)
2 Hex Bolt (3/8 x 1) (C03-0375-041) (For Braces)
2 Lock Washer (3/8) (C02-0375-010) (For Braces)
2 Hex Nut (3/8) (C01-0375-010) (For Braces)
- 3..... 654-5..... Bearing, End & Center
- 3..... 010743..... Grease Tube
Use: 3 Hex Nut, Fine Thread (3/8-24) (C01-0375-011)
1 Grease Fitting (D01-5010-050)
- 1..... 0656511..... Bottom & Slide, 5-Foot (26-openings) (Assembled)
Use: 16 Hex Bolt (1/4 x 5/8) (C03-0250-020)
16 Whiz Flange Nut (1/4) (C01-0250-030)
16 Wrought Washer (1/4) (C02-0250-030)
3 Tension "T" (0105215)
3 Hex Bolt (1/4 x 2-1/4) (C03-0250-090)
3 Hex Nut (1/4) (C01-0250-010)
3 Spring (E01-05215-3)
- 1..... C22-0312-310..... Clevis Pin (5/16 x 4)
Use: 1 Cotter Pin (1/8 x 3/4) (C20-0125-020)
- 1..... 0608510..... Pin, Hitch Handle
Use: 2 Cotter Pin (1/8 x 3/4) (C20-0125-020)
- 1..... 0405575..... Cam Gauge
Use: 1 SAE Washer (3/8) (C02-0375-020)
1 Wing Nut (3/8) (C01-0375-020)
- 1..... 655-2..... Cover, 5-Foot
Use: 1 Decal, Warning, Rotating (N02-0055-010)
1 Decal, Never Place Fingers (N02-0057-000)
2 Clevis Pin (1/4 x 2-5/8) (C22-0250-200)
4 Cotter Pin (3/32 x 3/4) (C20-0093-020)
2 Cover Lock (1406318)
- 4..... 654-4..... Spacer, Stainless Steel
- 2..... 655-3..... Rotor Bar, 5-Foot
- 1..... 0655521..... Wind Guard, 5-Foot (Spreadplate)
Use: 2 Sash Chain (#50) (21-Links) (05108121-1/1) (in place)
2 Cotter Pin (3/16 x 3/4) (C20-0187-010) (in place)
- 2..... 655-7..... Brace, 5-Foot (inside carton)

1..... **Packet, Containing: (Shipped Inside Hopper) Rate Chart, Operators Manual & Packing List**

When Machine is Shipped w/ Push Handle, Less Tractor Hitch:

- 1..... **06A5520**.....**Handle Bundle Containing:** (These Parts Are Assembled)
- 1 0605520.....Handle & Rate Control Lever
 Use: 3 Rubber Grip (J01-0625-450)
 1 Hex Bolt (3/8 x 1) (C03-0375-041)
 1 Lock Washer (3/8) (C02-0375-010)
 1 Hex Nut (3/8) (C01-0375-010)
- 1 0605219.....Stand, Adjustable Pipe
 Use: 2 Plastic Cap (J02-0625-000)
 1 Thumb Screw (3/8 x 1) (C09-0375-160)
- 1 0605227.....Connector Link, Rate Control
 Use: 2 Cotter Pin (3/32 x 3/4) (C20-0093-020) (in place)

When Machine is Shipped w/ Tractor Hitch, Less Handles:

- 1..... **069242**.....**Tractor Hitch / Lever Package Containing:**
(All Hardware in Parts Bag Unless Otherwise Specified)
- 1 654-12.....Pole (Tractor Hitch 57-21/32 Long)
 Use: 2 Hex Bolt (3/8 x 1) (C03-0375-041)
 2 Lock Washer (3/8) (C02-0375-010)
 2 Hex Nut (3/8) (C01-0375-010)
- 1 069242-2.....**Shut-Off Lever (Banded to Pole for Shipping)**
 Use: 1 Plastic Grip (3/4 x 3) (J01-0750-300) **(in Place)**
 2 Hex Bolt (3/8 x 1) (C03-0375-041)
 2 Lock Washer (3/8) (C02-0375-010)
 2 Hex Nut (3/8) (C01-0375-010)
- 1 654-13.....**Connector Rod (46-1/2 Long) (Banded to Pole for Shipping)**
 Use: 2 Hex Bolt (3/8 x 1) (C03-0375-041)
 2 Lock Nut, Nylon (3/8) (C01-0375-041)
- 1 069242-3.....**Mounting Bracket, Shut-Off Lever (in Hardware Bag)**
 Use: 1 Hex Bolt (1/2 x 3-1/4) (C03-0500-130)
 2 Wrought Washer (1/2) (C02-0500-030)
 1 Lock Nut, Center Point (1/2) (C01-0500-040)
- 1 069242-4.....**Knee Lever (in Hardware Bag)**
 Use: 1 Hex Bolt (1/2 x 4) (C03-0500-161)
 2 Wrought Washer (1/2) (C02-0500-030)
 1 Lock Nut Center Point (1/2) (C01-0500-040)
- 1 069242-5.....**Connector Link (in Hardware Bag)**
 Use: 1 Cotter Pin (1/8 x 3/4) (C20-0125-020)
- 1 **069242-H****Parts Bag Containing: (Banded To Pole)**
- 4..... C01-0375-010.....Hex Nut (3/8)
 2..... C01-0375-041.....Lock Nut, Nylon (3/8)
 2..... C01-0500-040.....Lock Nut, Center Point (1/2)
 4..... C02-0375-010.....Lock Washer (3/8)
 4..... C02-0500-030.....Wrought Washer (1/2)
 6..... C03-0375-041.....Hex Bolt (3/8 x 1)
 1..... C03-0500-130.....Hex Bolt (1/2 x 3-1/4)
 1..... C03-0500-161.....Hex Bolt (1/2 x 4)
 1..... C20-0125-020.....Cotter Pin (1/8 x 3/4)
 1..... 069242-3.....Mounting Bracket, Shut-Off Lever
 1..... 069242-4.....Knee Lever
 1..... 069242-5.....Connector Link

One of the Following Wheel Cartons Shipped w/ Spreader:

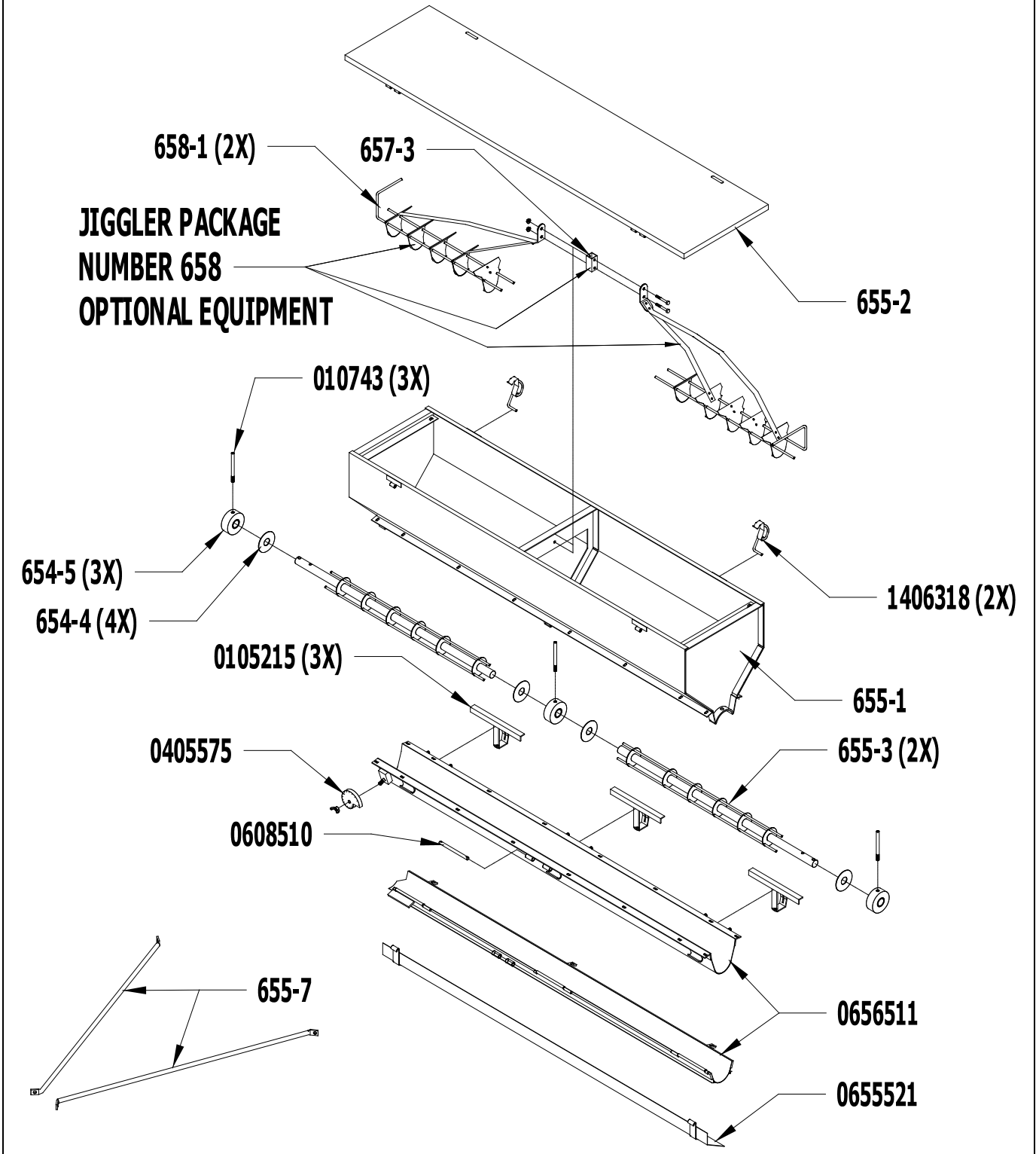
1.....65A16.....16-inch Pneumatic Tire Carton Containing:

- 2 R02-0016-000..... 16 x 8 Tire & Rim
- 1 65A16-A..... Parts Bag Containing The Following:
 - 2 654-6..... Spacer Bushing
 - 2 C22-0375-100..... Clevis Pin (3/8 x 1-3/4)
 - 2 C20-0156-010..... Cotter Pin (5/32 x 3/4)

OR

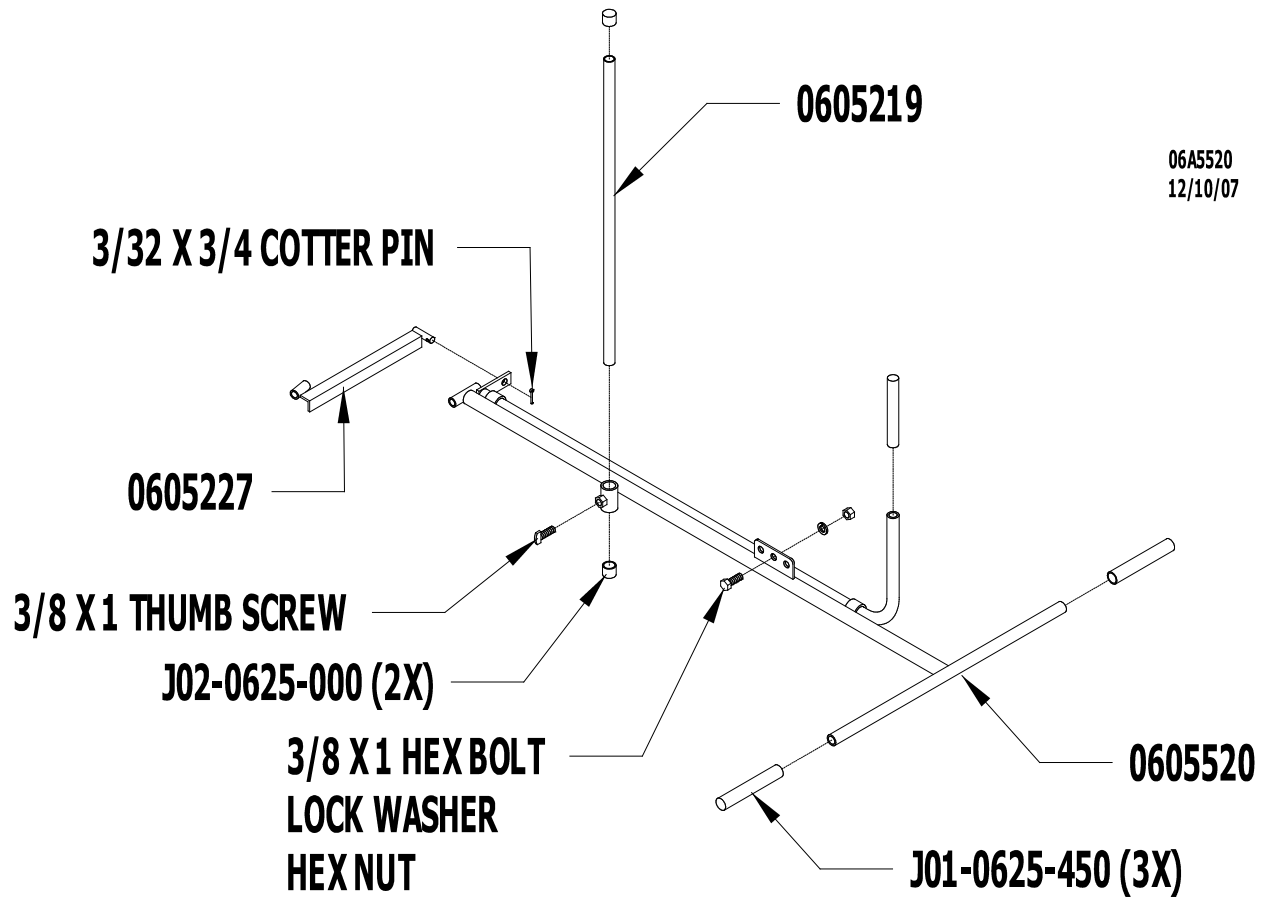
1.....65A18.....18-inch Flotation Tire Carton Containing:

- 2 656-8..... Wheel Hub
 - 8 C01-0500-080..... Hub Nut (1/2-20) (in place on hub)
- 2 R02-0008-011..... 18 x 8.50 – 8 Rib Tire
- 1 65A18-A..... Parts Bag Containing The Following:
 - 2 C22-0312-140..... Clevis Pin (5/16 x 1-7/8)
 - 2 C20-0125-020..... Cotter Pin (1/8 x 3/4)

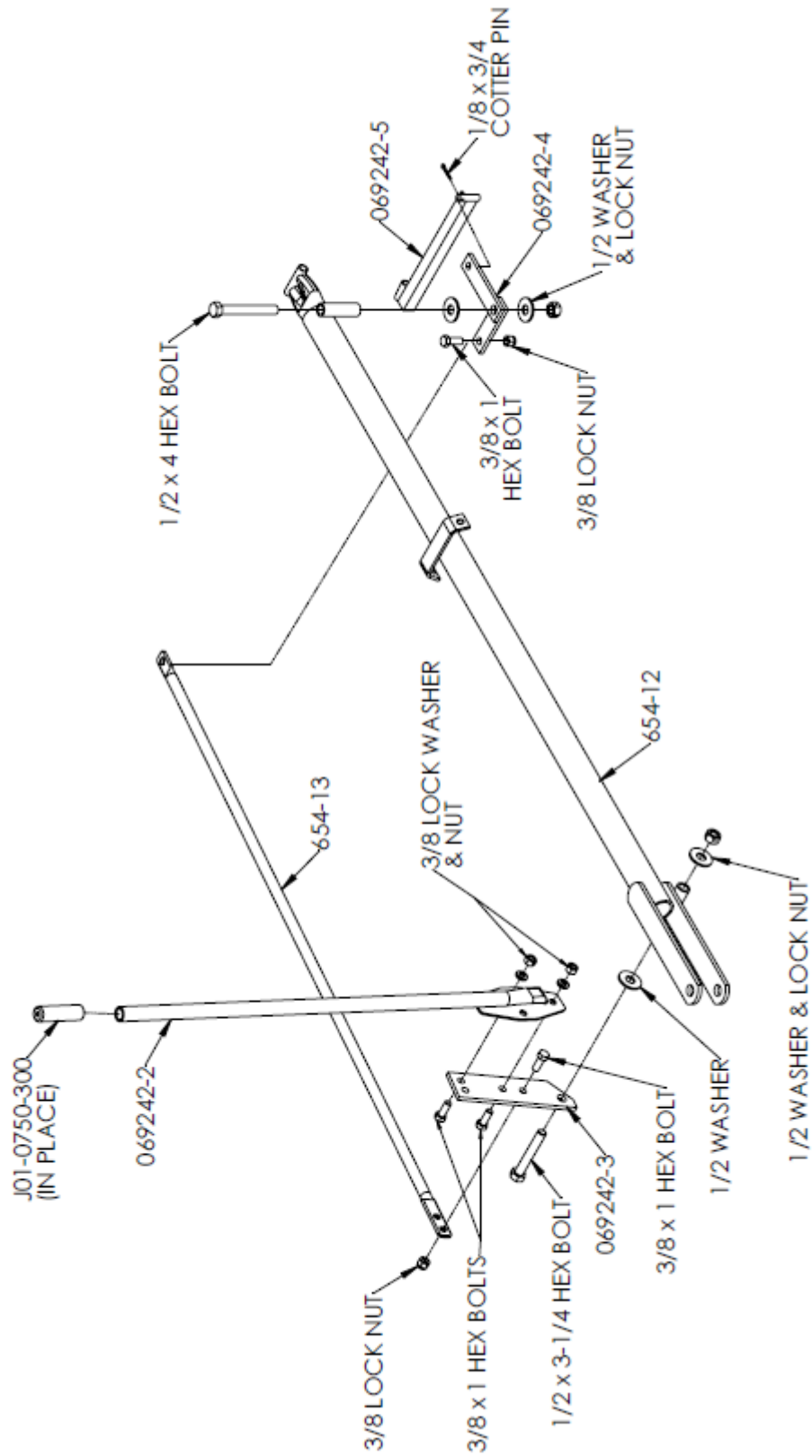


06A5520 Handle Bundle

06A5520
12/10/07

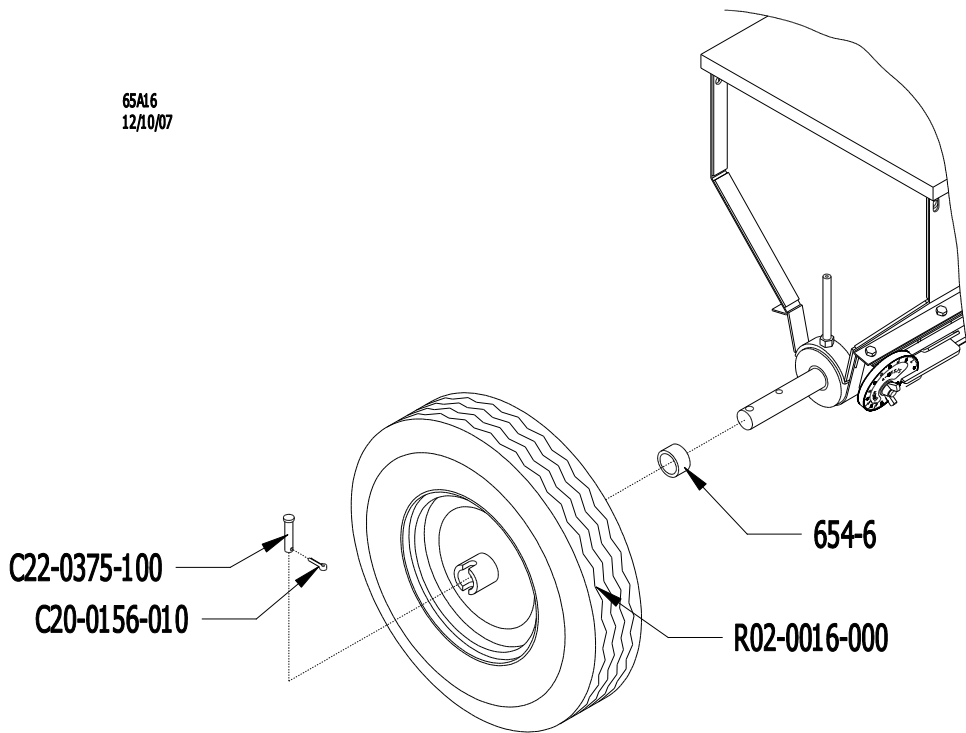


069242 Tractor Hitch / Lever Package



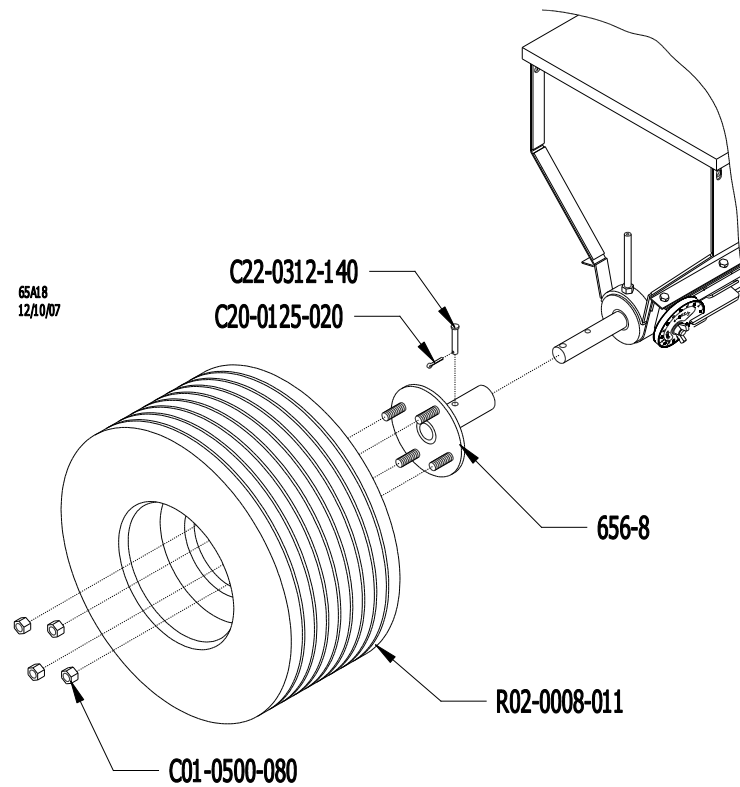
65A16 16-inch Pneumatic Tire Carton Containing:

65A16
12/10/07



65A18 18-inch Floatation Tire Carton Containing:

65A18
12/10/07



GDY-6505HT-PPL
Drawings: 6505-A
December 22, 2015 / Revised From (9/27/11)
Printed in the USA