



# Illustrated Parts & Packing List

815 Rice Lake Street, Owatonna, MN 55060

For a complete distributor & dealer list go to [www.gandy.net](http://www.gandy.net)

## Model 6505TR End Wheel Driven 3-PT Hitch Spreader – 5 Foot

### One Hopper Bundle Containing

1	655-1	Hopper, 5 Foot
		Use: 1 Decal, 65 Series Drop Spreader (N02-0001-075)
3	654-5	End & Center Bearing
3	010743	Grease Tube
		Use: 3 Hex Nut, Fine Thread (3/8-24) (C01-0375-011)
1	0656511	Bottom & Slide, 5 Foot (26 Openings) (Assembled)
		Use: 16 Hex Bolt (1/4 x 5/8) (C03-0250-020)
		16 Whiz Flange Nut (1/4) (C01-0250-030)
		16 Wrought Washer (1/4) (C02-0250-030)
		3 Tension "T" (0105215)
		3 Hex Bolt (1/4 x 2-1/4) (C03-0250-090)
		3 Hex Nut (1/4) (C01-0250-010)
		3 Spring (E01-05215-3)
1	C22-0312-310	Clevis Pin (5/16 x 4)
		Use: 1 Cotter Pin (1/8 x 3/4) (C20-0125-020)
1	0608510	Pin, Hitch Handle
		Use: 2 Cotter Pin (1/8 x 3/4) (C20-0125-020)
1	0405575	Cam Gauge
		Use: 1 SAE Washer (3/8) (C02-0375-020)
		1 Wing Nut (3/8) (C01-0375-020)
1	655-2	Cover, 5 Foot
		Use: 2 Clevis Pin (1/4 x 2-5/8) (C22-0250-200)
		4 Cotter Pin (3/32 x 3/4) (C20-0093-020)
		2 Cover Lock (1406318)
4	654-4	Spacer, Stainless Steel
2	655-3	Rotor Bar, 5-Foot
1	0655521	Wind Guard, 5 Foot
		Use: 2 Sash Chain #50 (21 links) (05108121-1/1) <b>(in place)</b>
		2 Cotter Pin (3/16 x 3/4) (C20-0187-010) <b>(in place)</b>
1	6510-1	Side Mount Bracket, Left, 3 Point Hitch
		Use: 4 Hex Bolt (3/8 x 1) (C03-0375-041)
		4 Lock Washer (3/8) (C02-0375-010)
		4 Hex Nut (3/8) (C01-0375-010)
1	6510-2	Side Mount Bracket, Right, 3 Point Hitch
		Use: 4 Hex Bolt (3/8 x 1) (C03-0375-041)
		4 Lock Washer (3/8) (C02-0375-010)
		4 Hex Nut (3/8) (C01-0375-010)

- 1..... 6510-5..... Tool Bar, 63-inch
- 2..... 09068347..... Clamp Cap
  - Use: 4 Hex Bolt (1/2 x 6)(C03-0500-201)
  - 4 Wrought Washer (1/2)(C02-0500-030)
  - 4 Lock Washer (1/2)(C02-0375-010)
  - 4 Hex Nut (1/2)(C01-0500-010)
  
- 4..... 6510-3..... Parking Stand, 20-inch
  - Use: 4 Clevis Pin (3/8 x 2-1/4) (C22-0375-140)
  - 4 Hair Pin Cotter (1/8 x 2-9/16) (C21-0125-030)
- 1..... 6510-8..... Mounting Bracket Hand Shut-Off
- 1..... 6510-7..... Shut-Off Handle, 3 Point Hitch
  - Use: 1 Hex Bolt (1/2 x 1-1/4) (C03-0500-050)
  - 1 Lock Nut, Center Point (1/2) (C01-0500-040)
- 1..... 0605227..... Connector Link
  - Use: 3 Cotter Pin (1/8 x 3/4) (C20-0125-020)
- 1..... 2305880-1..... 3-PT Hitch, Left
- 1..... 2305880-2..... 3-PT Hitch, Right
  - Use: 1 Hex Bolt (1/2 x 3-1/2) (C03-0500-141)
  - 1 Lock Washer (1/2) (C02-0500-010)
  - 1 Hex Nut (1/2) (C01-0500-010)
- 1..... 0306982-3..... Bushing (3/4 x 17/32 w. x 1-7/8)
- 2..... 09068347..... Clamp Cap
  - Use: 4 Hex Bolt (1/2 x 5-1/2) (C03-0500-191)
  - 4 Wrought Washer (1/2) (C02-0500-030)
  - 4 Lock Washer (1/2) (C02-0500-010)
  - 4 Hex Nut (1/2) (C03-0500-010)
- 1..... 0706980-5..... Yoke Pin, Cat 1
  - Use: 1 Spring Pin (5/16 x 2) (C23-0312-220)
  - 1 Lynch Pin (7/16 x 1-3/4) (M11-0437-175)
- 2..... 0706980-3..... Hitch Pin
  - Use: 2 Lock Washer (7/8) (C02-0875-010)
  - 2 Jam Nut (7/8-14) (C02-0875-060)
  - 2 Lynch Pin (7/16 x 1-3/4) (M11-0437-175)
  
- 1..... Envelope Containing: Rate Chart, Operators Manual & Packing List Taped To Cover**

**One Of The Following Wheel Cartons Shipped With Spreader:**

- 1..... 65A16..... 16-inch Pneumatic Tire Carton Containing:**
- 2..... R02-0016-000..... 16 x 8 Saw-Tooth Tire & Rim
- 1..... 65A16-A..... Small Parts Bag Containing:
  - 2..... 654-6..... Spacer Bushing
  - 2..... C22-0187-090..... Clevis Pin (5/16 x 1-13/16)
  - 2..... C20-0156-010..... Cotter Pin (5/32 x 3/4)

**OR**

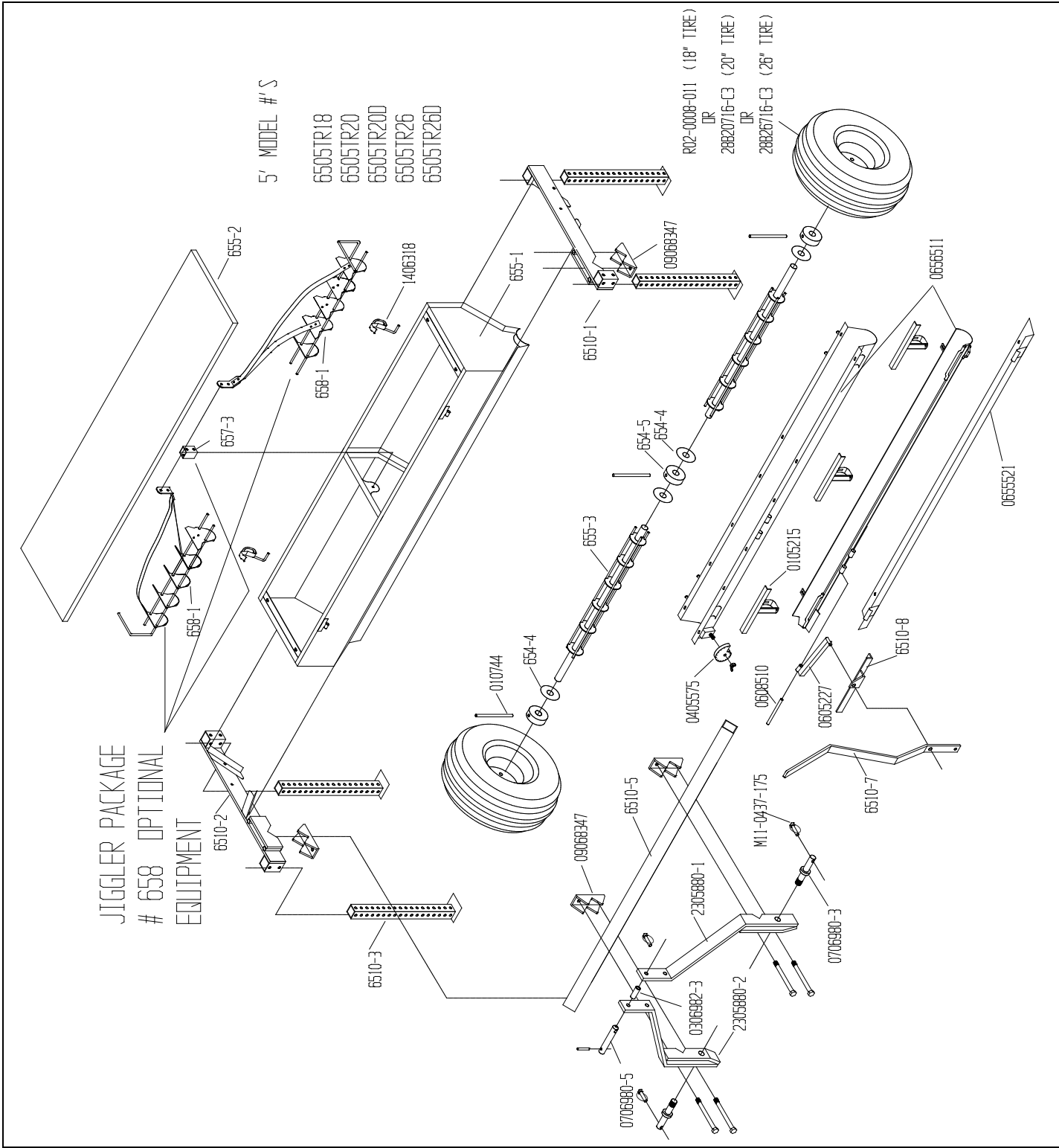
- 1..... 65A18..... 18-inch Flotation Tire Carton Containing:**
- 2..... 656-8..... Wheel Hub
- 2..... R02-0008-011..... 18 x 8.50 – 8 Rib Tire
- 1..... 65A18-A..... Small Parts Bag Containing:
  - 8..... C01-0500-080..... Hub Nut (1/2) (**in place**)
  - 2..... C22-0312-140..... Clevis Pin (5/16 x 1-7/8)
  - 2..... C20-0125-020..... Cotter Pin (1/8 x 3/4)

**OR**

- 1..... 65A20..... 20-inch Semi-Pneumatic Tire Carton Containing:**
- 2..... 28B20716-C ..... Disc Wheel 20-inch w/ Tire
- 1..... 65A20-A..... Small Parts Bag Containing:
  - 2..... C22-0312-220..... Clevis Pin (5/16 x 2-1/2)
  - 2..... C20-0125-020..... Cotter Pin (1/8 x 3/4)
  - 2..... 654-9..... Wheel Adapter

**OR**

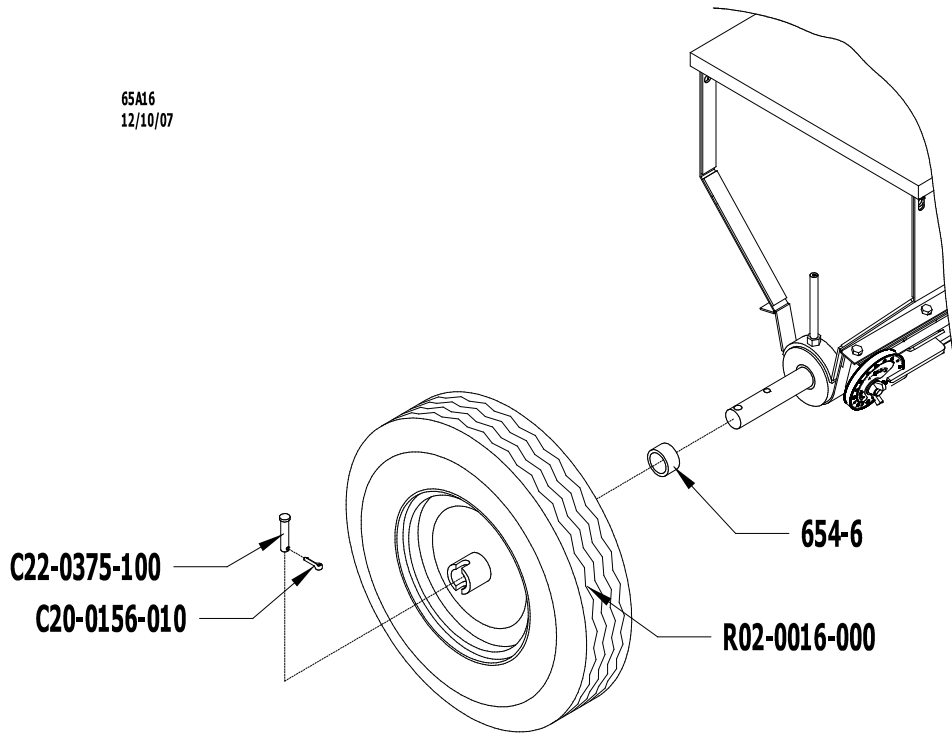
- 1..... 65A26..... 26-inch Semi-Pneumatic Tire Carton Containing:**
- 2..... 28B26716-C3 ..... Disc Wheel 26-inch w/ Tire
- 1..... 65A26-A..... Small Parts Bag Containing:
  - 2..... C22-0312-220..... Clevis Pin (5/16 x 2-1/2)
  - 2..... C20-0125-020..... Cotter Pin (1/8 x 3/4)
  - 2..... 654-9..... Wheel Adapter



**65A16**

**16-inch Pneumatic Tire Carton Containing:**

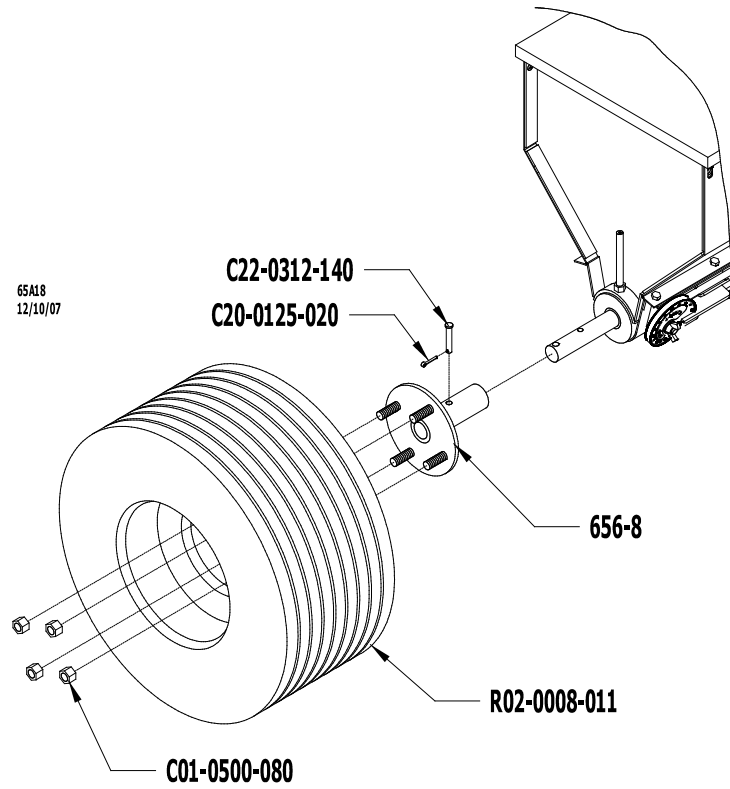
65A16  
12/10/07



**65A18**

**18-inch Floatation Tire Carton Containing:**

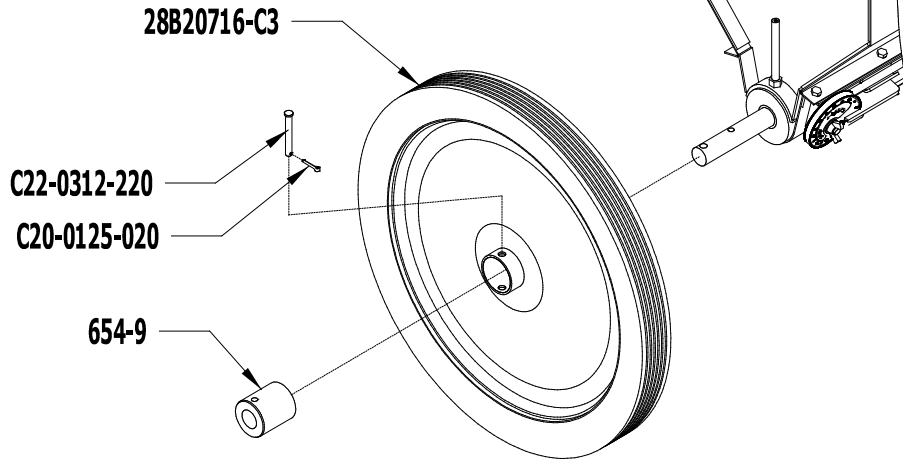
65A18  
12/10/07



65A20

20-inch Semi-Pneumatic Tire Carton Containing

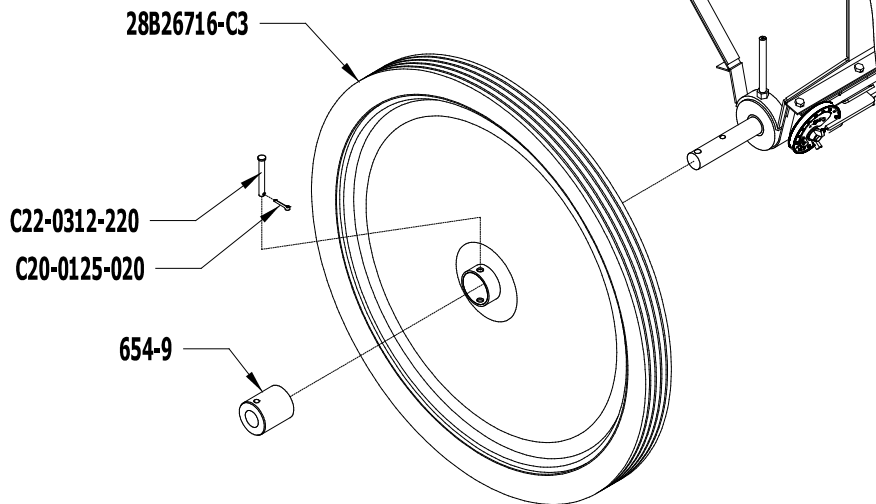
65A20  
3/26/09



65A26

26-inch Semi-Pneumatic Tire Carton Containing:

65A26  
3/26/09



GDY-6506TR-PPL

Drawing: 6505TR, 65A16, 65A18, 65A20, 65A26

March 19, 2012

Revised From (9/27/11)

Printed in the USA