



Illustrated Parts & Packing List

815 Rice Lake Street, Owatonna, MN 55060

For a complete distributor & dealer list go to www.gandy.net

6506ASB

Adjustable Slotted Bottom, 6-Foot 6500 Series Spreader

For The Following Models

Tractor Hitch (Tow) Models: 6506ASBT16, 6506ASBT18

One 6504ABS Hopper Bundle Assembled

- 1 656-1.....Hopper, 6-Foot
 - Use: 1 Decal, 65 Series Drop Spreader ASB Bottom (N02-0001-076)
 - 2 Hex Bolt (3/8 x 1) (C03-0375-041) (For Braces)
 - 2 Lock Washer (3/8) (C02-0375-010) (For Braces)
 - 2 Hex Nut (3/8) (C01-0375-010) (For Braces)
- 1 654-5.....Bearing, End & Center (in Center)
- 2 6524-8.....Bearing, Slotted Bottom (Ends)
- 3 010743.....Grease Tube
 - Use: 3 Hex Nut, Fine Thread (3/8-24) (C01-0375-011)
 - 3 Grease Fitting (D01-5010-050)
- 1 6524-7.....Hitch Adaptor, Slotted Bottom
 - Use: 4 Hex Bolt (1/4 x 3/4) (C03-0250-030)
 - 4 Whiz Flange Nut Stainless (1/4) (C01-0250-032)
 - 1 Pin Hitch /Handle (0608510)
 - 2 Cotter Pin (1/8 x 3/4) (C20-0125-020)
- 1 6526-1.....Slotted Bottom (6-Ft 6500 Series)
- 2 6526-2.....Side Sheet, Front /Back, Slotted Bottom 6-ft
 - Use: 27 Carriage Bolt (1/4 x 1/2) (C04-0250-011)
 - 27 Whiz Flange Nut (1/4) C 01-0250-032)
- 1 6526-3.....Slotted Bottom Slide (6-FT 6500 Series)
 - Use: 14 Lock Nut, Nylon Stainless (1/4) (C01-0250-043)
 - 14 SAE Washer Stainless (1/4) (C02-0250-021)
- 1 6524-5.....Gauge Bracket, Slotted Bottom
 - Use: 3 Carriage Bolt Stainless (1/4 x 1/2) (C04-0250-011)
 - 3 Whiz Flange Nut Stainless (1/4) (C01-0250-032)
- 1 6524-6.....Gauge Holder, Slotted Bottom
 - Use: 5 Carriage Bolt Stainless (1/4 x 1/2) (C04-0250-011)
 - 5 Whiz Flange Nut Stainless (1/4) (C01-0250-032)
 - 1 Clevis Pin (5/16 x 4) (C22-0312-310)
 - 1 Cotter Pin (1/8 x3/4) (C20-0125-020)
- 1 0108075.....Cam Gauge
 - Use: 1 Carriage Bolt (1/2 x 2-1/2) (C04-0500-100)
 - 2 Wrought Washer (1/2) (C02-0500-030)
 - 1 Shake Proof Washer External Tooth (1/2) (C02-0500-040)
 - 1 Wing Nut, Large (1/2) (C01-0500-021)

Continued on next page...

- 2 6526-4.....Rotor Bar, 6-Ft Slotted Bottom
- 2 654-4.....Spacer, Stainless Steel
- 1 656-2.....Cover, 6-Foot
 - Use: 1 Decal, Warning, Rotating (N02-0055-010)
 - 1 Decal, Never Place Fingers (N02-0057-000)
 - 2 Clevis Pin (1/4 x 2-5/8) (C22-0250-200)
 - 4 Cotter Pin (3/32 x 3/4) (C20-0093-020)
 - 2 Cover Lock (1406318)
- 2 656-7.....Brace, 6-Foot (**Shipped Inside Crate**)
- 1 Packet, Containing: (Shipped Inside Hopper) Operators Manual & Packing List**

When Machine is Shipped w/ Tractor Hitch Package

- 1.....6531.....Tractor Hitch / Lever Package Containing:**
(All Hardware in Parts Bag Unless Otherwise Specified)
- 1 654-12..... Pole (Tractor Hitch 57-21/32 Long)
Use: 2 Hex Bolt (3/8 x 1) (C03-0375-041)
2 Lock Washer (3/8) (C02-0375-010)
2 Hex Nut (3/8) (C01-0375-010)
 - 1 069242-2..... Shut-Off Lever **(Banded to Pole for Shipping)**
Use: 1 Plastic Grip (3/4 x 3) (J01-0750-300) **(in Place)**
2 Hex Bolt (3/8 x 1) (C03-0375-041)
2 Lock Washer (3/8) (C02-0375-010)
2 Hex Nut (3/8) (C01-0375-010)
 - 1 654-13..... Connector Rod (46-1/2 Long) **(Banded to Pole for Shipping)**
Use: 2 Hex Bolt (3/8 x 1) (C03-0375-041)
2 Lock Nut, Nylon (3/8) (C01-0375-041)
 - 1 069242-3..... Mounting Bracket, Shut-Off Lever **(in Hardware Bag)**
Use: 1 Hex Bolt (1/2 x 3-1/4) (C03-0500-130)
2 Wrought Washer (1/2) (C02-0500-030)
1 Lock Nut, Center Point (1/2) (C01-0500-040)
 - 1 069242-4..... Knee Lever **(in Hardware Bag)**
Use: 1 Hex Bolt (1/2 x 4) (C03-0500-161)
2 Wrought Washer (1/2) (C02-0500-030)
1 Lock Nut Center Point (1/2) (C01-0500-040)
 - 1 6524-9..... Connector Link **(in Hardware Bag)**
Use: 1 Cotter Pin (1/8 x 3/4) (C20-0125-020)
- 1 6531-HParts Bag Containing: (Banded To Pole)**
- 4..... C01-0375-010..... Hex Nut (3/8)
 - 2..... C01-0375-041..... Lock Nut, Nylon (3/8)
 - 2..... C01-0500-040..... Lock Nut, Center Point (1/2)
 - 4..... C02-0375-010..... Lock Washer (3/8)
 - 4..... C02-0500-030..... Wrought Washer (1/2)
 - 6..... C03-0375-041..... Hex Bolt (3/8 x 1)
 - 1..... C03-0500-130..... Hex Bolt (1/2 x 3-1/4)
 - 1..... C03-0500-161..... Hex Bolt (1/2 x 4)
 - 1..... C20-0125-020..... Cotter Pin (1/8 x 3/4)
 - 1..... 069242-3..... Mounting Bracket, Shut-Off Lever
 - 1..... 069242-4..... Knee Lever
 - 1..... 6524-9..... Connector Link

One of the Following Wheel Cartons Shipped w/ Spreader:

1.....65A16.....16-inch Pneumatic Tire Carton Containing:

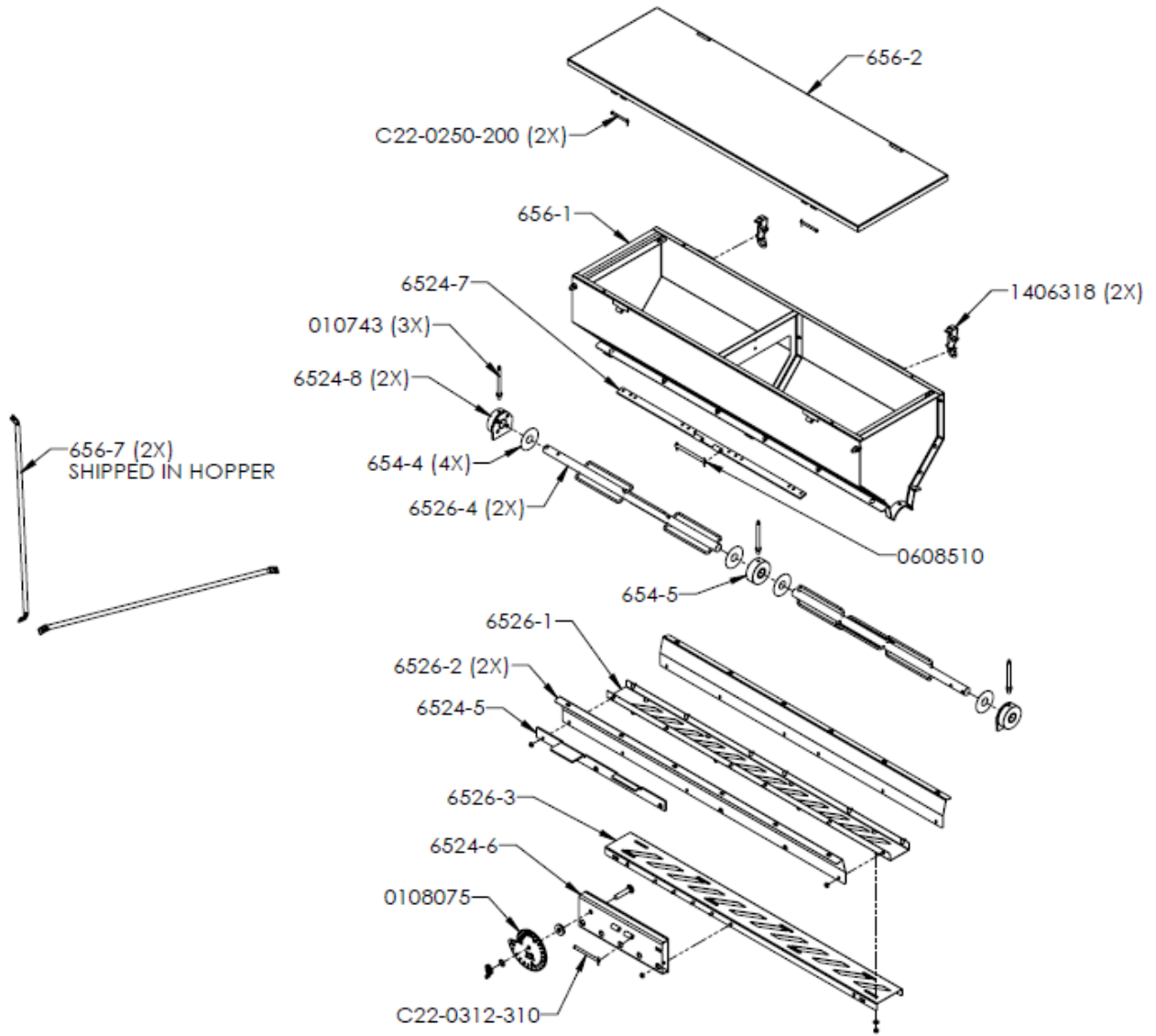
- 2 R02-0016-000..... 16 x 8 Tire & Rim
- 1 65A16-A..... Parts Bag Containing The Following:
 - 2 654-6..... Spacer Bushing
 - 2 C22-0375-100..... Clevis Pin (3/8 x 1-3/4)
 - 2 C20-0156-010..... Cotter Pin (5/32 x 3/4)

OR

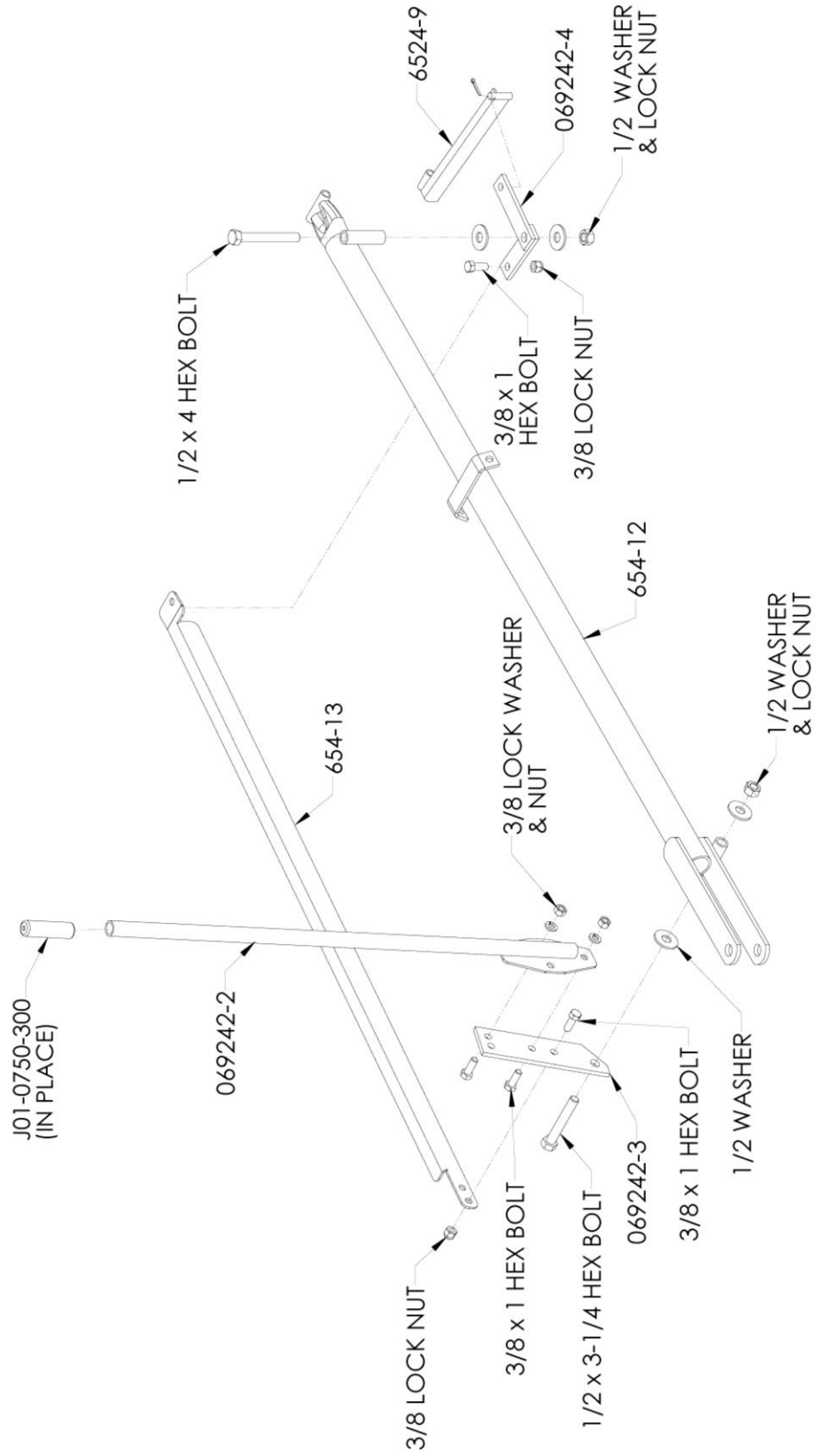
1.....65A18.....18-inch Flotation Tire Carton Containing:

- 2 656-8..... Wheel Hub
 - 8 C01-0500-080..... Hub Nut (1/2-20) (**in place on hub**)
- 2 R02-0008-011..... 18 x 8.50 – 8 Rib Tire
- 1 65A18-A..... Parts Bag Containing The Following:
 - 2 C22-0312-140..... Clevis Pin (5/16 x 1-7/8)
 - 2 C20-0125-020..... Cotter Pin (1/8 x 3/4)

6506 Hopper Bundle (ASSEMBLED)

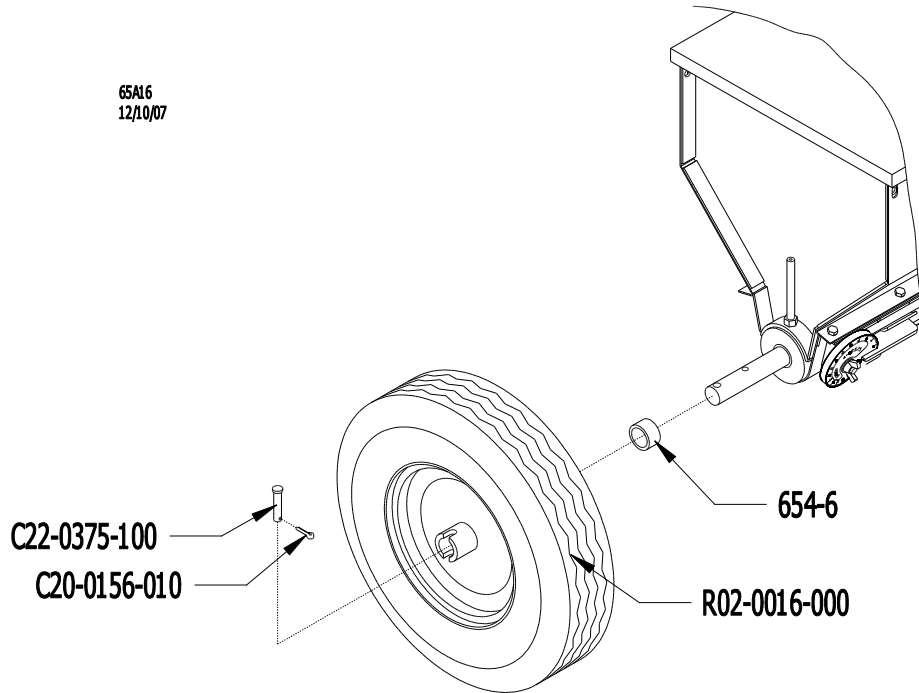


6531 Tractor Hitch / Lever Package



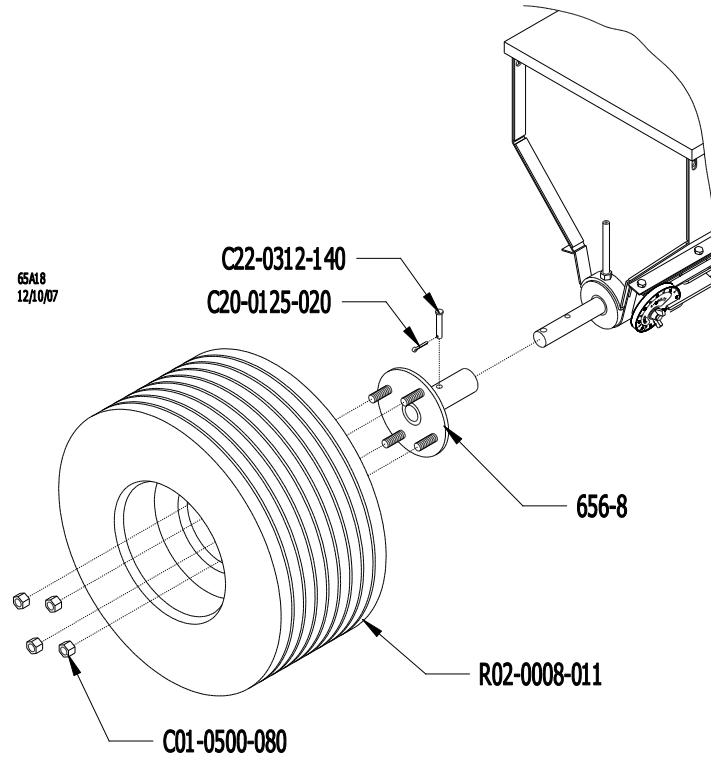
65A16 16-inch Pneumatic Tire Carton Containing:

65A16
12/10/07



65A18 18-inch Floatation Tire Carton Containing:

65A18
12/10/07



GDY-6506ASBT-PPL
Drawings: 6506ABS
July 24, 2013
Revised From (9/27/11)
Printed in the USA