



Parts List & Instructions

815 Rice Lake Street, Owatonna, MN 55060

Phone: 800-443-2476 / 507-451-5430

www.gandy.net / Email: sales@gandy.net

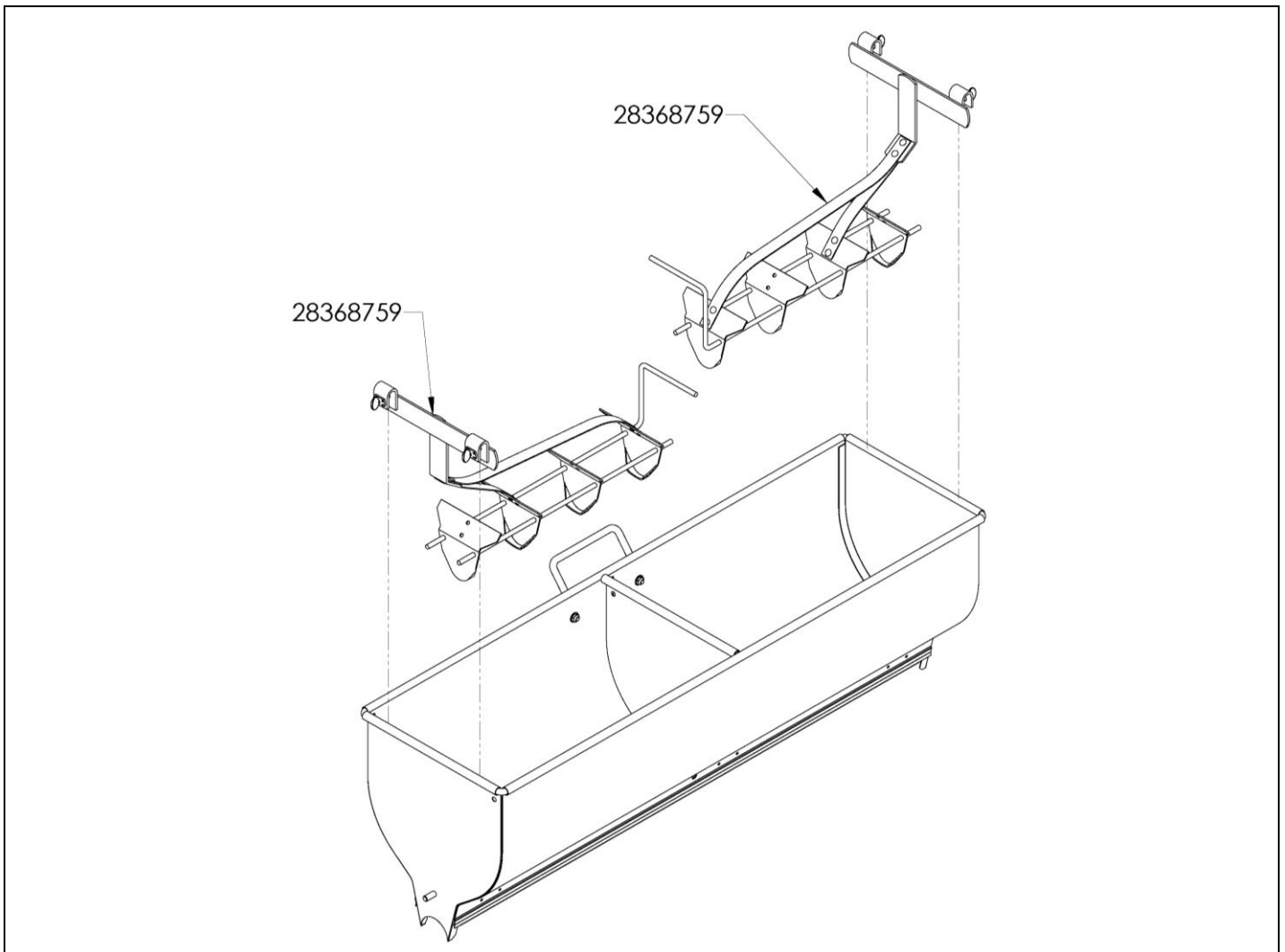
J36

Jiggler Package For 36-inch Hopper

(Helps Eliminate Bridging)

One Carton Containing the Following Items:

2..... 28368759..... Jiggler (For 36-inch Hopper)
With 1/4 x 3/4 Thumb Screws in place (two each Jiggler)



Attach Jigglers (one each side) over the outside round edge and tighten the thumb screws.

J36
May 17, 2021
Printed in the USA