



Rate Charts: Implement Mounted Orbit-Air Pneumatic Applicator: 32T Sprocket 8, 10, 21.9, 30 & 33.5 Cu. Ft. Models

CALIBRATION

It is the responsibility of the operator to ensure that each material is properly calibrated in the applicator prior to application to the field.

Failure to do so may cause under application which can give ineffective pest control or over application which can result in yield damage or carryover affecting growth of the following crops.

The attached charts are to serve only as guides in initial setting, as the chemical, seed or fertilizer is as supplied and run under factory laboratory conditions.

A few minutes invested before application gives the most effective use of your granular chemical or soil amendment and make wisest use of your turf maintenance efforts.

Remember:

- Flow rates of chemicals can change because:
- Formulations vary within the same brand or between brands
- Formulations vary between batches or years of manufacture
- Atmospheric conditions alter the chemical's flow-ability
- Poor applicator maintenance changes flow
- Incorrect control/sprocket installation changes rates
- Slide closure, rate gauge or setting has been moved from correct position
- Human error causes miscalculation of rate

To Calibrate:

- Catch material for weighing. Do not apply directly to field.
- Plan the material you need for quick calibration.
- Example: Scale, recovery bags, calibration tubes, distance measured or timing device.
- Calibration takes minimal time if you are prepared to do it correctly.

FOLLOW THE CALIBRATION PROCEDURES ON THE RATE CHART

CAUTION:

Catching material from all or a portion of the outlets (the others being closed) is the recommended calibration procedure, so that no material is applied to the soil until calibration is completed. Doing otherwise is at the operator's risk and responsibility.



Rate Chart for Ground Drives With 32T Sprocket on Drive Wheel Shaft

Implement-Mounted Orbit-Air Pneumatic Applicator

8, 10, 21.9, 30 & 33.5 Cu. Ft. Models with Factory Ground Drive & Zero-Max Control

Includes Models: 62AN12, 6210, 6212, 62AN18, 6216, 6216-S, 6216-D, 62BN24 & 6224

Website: www.gandy.net / E-mail: sales@gandy.net

Important:

It is always recommended that the individual user check the actual output of his unit on site as variations do occur in formulations, density and atmospheric conditions that affect the flow characteristics of locally available products. The user is also cautioned to make certain he is reading the correct chart and column for this product, metering wheels, Orbit-Air model, and deflector spacing.

If the product is not contained in these charts, follow the below procedure.

1. Set up test course using two stakes placed 436 feet apart.
2. Read the label and cautionary statements of the agricultural chemical you are using. Determine the rate you need to apply in pounds per acre (lb/A).
3. Look up the rate chart for the chemical and deflector/tube spacing. Set the speed control on the applicator for your rate according to rate chart. (If no rate chart is available, estimate the speed control setting).
Note: The above 62 Series implement-mounted Orbit-Air model's rate control units have a scale range of increments. Each printed number refers to 10 increments.
Example: If a setting of 20 is suggested on the rate chart, align the speed control number with number 2 by turning the adjusting crank.
4. Place a plastic bag around each deflector or the tube end, securing it around the plastic tube, and if using air delivery; leave one-half of the top open to allow air to escape.
Note: Take precaution so gabs are not dragging or torn while making calibration run.
5. If equipped with a blower, start the blower now. Adjust blower speed so air stream is adequate to carry product through delivery tubes. Lower ranges such as 8 to 12 oz/in² for granular chemical, higher pressure such as 15 to 20 oz/in² or higher for fertilizer and large seeds.
6. Travel the 436 foot course at normal speed.
7. Weight the total contents of all the bags in pounds.
8. Divide weight collected in pounds by width of implement in feet and multiply by 100 to get pounds per broadcast acre.
9. Adjust speed control if needed and repeat steps 4 through 8.
Example: Collecting from 24 outlets with 24-inch deflector spacing, you collect 8 pounds.
 $(8 \text{ lb} \div 48 \text{ ft implement}) \times 100 = 16.6 \text{ lb/acre}$
Note: If you wish to collect from fewer deflectors, follow the above procedures until you get to step #8, then divide pounds collected by acres covered to get pounds per broadcast acre. To calculate covered:
 $(\text{Collected width in feet}) \times 436 \text{ ft} \div 43,560 \text{ ft}^2 = \text{acres covered.}$
Example: By using 3 deflectors with 24 inch spacing, you collect 1 lb.
Therefore, total width collected is 6-feet.
 1. $(6 \text{ ft} \times 436 \text{ ft}) \div 43,560 \text{ ft}^2 = .06 \text{ acres}$
 2. $1 \text{ lb} \div .06 \text{ acres} = 16.6 \text{ lbs/acre}$

Conversion for Metric Rates (kg/hectare)

- Determine ground speed in miles per hour.
 - miles per hour = 3.2 kilometers per hour
 - miles per hour = 4.8 kilometers per hour
 - miles per hour = 6.4 kilometers per hour
 - miles per hour = 8.0 kilometers per hour
 - miles per hour = 9.7 kilometers per hour
 - miles per hour = 11.3 kilometers per hour
 - miles per hour = 12.9 kilometers per hour
 - miles per hour = 14.5 kilometers per hour
 - miles per hour = 16.1 kilometers per hour

- Determine rate in pounds per acre.

Multiply your rate in kilograms per hectare by 0.89 to obtain rate in pounds per acre.
Use this number when following the instructions on the front cover.

Legal Equivalents adopted by Act of Congress, July 28, 1866

Length

| | | |
|---------------------------|---|--------------------------|
| 1 Centimeter | = | 0.3937 inch |
| 1 Meter | = | 39.37 inches = 3.28 Feet |
| 1 Kilometer | = | 0.621 Statute Mile |
| 1 Inch | = | 2.540 Centimeters |
| 1 Foot | = | 30.48 Centimeters |
| 1 Yard | = | 0.914 Meters |
| 1 Rod (16.5 Ft) | = | 5.029 Meters |
| 1 Statute Mile (5,280 Ft) | = | 1.61 Kilometers |

Area

| | | |
|-------------------------|---|-------------|
| 1 Hectare (10,000 sq m) | = | 2.471 Acres |
| 1 Acre | = | 0.405 |

Weight

| | | |
|------------|---|------------------|
| 1 Gram | = | 0.035 Ounces |
| 1 Kilogram | = | 2.205 Pounds |
| 1 Ounce | = | 28.35 Grams |
| 1 Pound | = | 0.4536 Kilograms |

Weight per Area

| | | |
|------------------------|---|-----------------------------|
| 1 Pound per Acre | = | 1.120 Kilograms per Hectare |
| 1 Kilogram per Hectare | = | 0.892 Pounds per Acre |
| 1 Ounce per 1,000 Ft | = | 9.30 Grams per 100 Meters |

Weight per Area with Speed Change

| | | |
|------------------------------|---|---------------------------|
| 1 Ounce per 1,000 Ft @ 1 mph | = | 14.88g/100 Meters @ 1 mph |
|------------------------------|---|---------------------------|

HERBICIDE (32T Sprocket on Drive Wheel)

Gandy Orbit-Air® Implement Mounted
Standard Zeromax Settings for
8, 10, 21.9, & 33.5 cu. ft. Models

AMIBEN 10 G

Rhone Poulenc

Metering Wheels--Black--1 ¼"

Deflector or Tube Spacing Speed Control Setting

| 24" | 27" | 30" | |
|-----------------|-----|-----|------|
| Pounds Per Acre | | | |
| 16 | 15 | 13 | 18.5 |
| 20 | 18 | 16 | 21 |
| 24 | 22 | 19 | 24.5 |
| 30 | 27 | 24 | 29 |
| 33 | 30 | 26 | 31 |
| 38 | 34 | 30 | 34 |

AVADEX BW

Monsanto-Canada

Metering Wheels--Black--1 ¼"

Deflector or Tube Spacing Speed Control Setting

| 24" | 27" | 30" | |
|-----------------|------|------|----|
| Pounds Per Acre | | | |
| 3.0 | 2.7 | 2.4 | 5 |
| 3.6 | 3.2 | 2.9 | 6 |
| 4.2 | 3.7 | 3.4 | 7 |
| 4.7 | 4.2 | 3.8 | 8 |
| 5.4 | 4.8 | 4.3 | 9 |
| 6.0 | 5.3 | 4.8 | 10 |
| 6.8 | 6.0 | 5.4 | 11 |
| 7.9 | 7.0 | 6.3 | 12 |
| 8.7 | 7.7 | 7.0 | 13 |
| 9.4 | 8.4 | 7.5 | 14 |
| 10.7 | 9.0 | 8.0 | 15 |
| 13.4 | 12.0 | 10.3 | 18 |
| 14.4 | 12.7 | 11.0 | 19 |
| 15.4 | 13.5 | 12.5 | 20 |
| 19.0 | 16.9 | 15.2 | 24 |

BUCKLE

Monsanto

Metering Wheels--Black--1 ¼"

Deflector or Tube Spacing Speed Control Setting

| 24" | 27" | 30" | |
|-----------------|------|------|----|
| Pounds Per Acre | | | |
| 3.0 | 2.7 | 2.4 | 5 |
| 3.6 | 3.2 | 2.9 | 6 |
| 4.2 | 3.7 | 3.4 | 7 |
| 4.7 | 4.2 | 3.8 | 8 |
| 5.4 | 4.8 | 4.3 | 9 |
| 6.0 | 5.3 | 4.8 | 10 |
| 6.8 | 6.0 | 5.4 | 11 |
| 7.9 | 7.0 | 6.3 | 12 |
| 8.7 | 7.7 | 7.0 | 13 |
| 9.4 | 8.4 | 7.5 | 14 |
| 10.7 | 9.0 | 8.0 | 15 |
| 11.6 | 10.0 | 9.3 | 16 |
| 13.4 | 11.9 | 10.7 | 18 |
| 15.4 | 13.5 | 12.5 | 20 |
| 17.3 | 16.0 | 14.0 | 22 |
| 19.0 | 17.6 | 15.5 | 24 |

DUAL II G

Ciba-Geigy

Metering Wheels--Black--1 ¼"

Deflector or Tube Spacing Speed Control Setting

| 24" | 27" | 30" | |
|-----------------|------|------|----|
| Pounds Per Acre | | | |
| 3.4 | 3.0 | 2.7 | 5 |
| 4.2 | 3.7 | 3.3 | 6 |
| 5.0 | 4.4 | 4.0 | 7 |
| 5.7 | 5.1 | 4.6 | 8 |
| 6.5 | 5.8 | 5.2 | 9 |
| 7.3 | 6.5 | 5.8 | 10 |
| 8.3 | 7.4 | 6.7 | 11 |
| 9.4 | 8.3 | 7.5 | 12 |
| 10.5 | 9.3 | 8.4 | 13 |
| 11.6 | 10.3 | 9.2 | 14 |
| 12.6 | 11.2 | 10.1 | 15 |
| 13.7 | 12.1 | 10.9 | 16 |
| 14.8 | 13.1 | 11.8 | 17 |
| 15.8 | 14.1 | 12.7 | 18 |
| 16.9 | 15.0 | 13.5 | 19 |
| 18.0 | 16.0 | 14.4 | 20 |
| 19.2 | 17.1 | 15.4 | 21 |
| 20.6 | 18.3 | 16.5 | 22 |
| xx | 19.4 | 17.5 | 23 |
| xx | 20.6 | 18.6 | 24 |
| xx | xx | 19.6 | 25 |
| xx | xx | 20.7 | 26 |

DUAL 25G

Ciba-Geigy

Metering Wheels--Black--1 ¼"

Deflector or Tube Spacing Speed Control Setting

| 24" | 27" | 30" | |
|-----------------|------|------|----|
| Pounds Per Acre | | | |
| 3.4 | 3.0 | 2.7 | 5 |
| 4.2 | 3.7 | 3.3 | 6 |
| 5.0 | 404 | 4.0 | 7 |
| 5.7 | 5.1 | 4.6 | 8 |
| 6.5 | 5.8 | 5.2 | 9 |
| 7.3 | 6.5 | 5.8 | 10 |
| 8.3 | 7.4 | 6.7 | 11 |
| 9.4 | 8.3 | 7.5 | 12 |
| 10.5 | 9.3 | 8.4 | 13 |
| 11.6 | 10.3 | 9.2 | 14 |
| 12.6 | 11.2 | 10.1 | 15 |
| 13.7 | 12.1 | 10.9 | 16 |
| 14.8 | 13.1 | 11.8 | 17 |
| 15.8 | 14.1 | 12.7 | 18 |
| 16.9 | 15.0 | 13.5 | 19 |
| 18.0 | 16.0 | 14.4 | 20 |
| 19.2 | 17.1 | 15.4 | 21 |
| 20.6 | 18.3 | 16.5 | 22 |
| xx | 19.4 | 17.5 | 23 |
| xx | 20.8 | 18.6 | 24 |
| xx | xx | 19.6 | 25 |
| xx | xx | 20.7 | 26 |

HERBICIDE (327 Sprocket on Drive Wheel)

Gandy Orbit-Air® Implement Mounted
Standard Zeromax Settings for
8, 10, 21.9, & 33.5 cu. ft. Models

EDGE 5G

DowElanco-Canada

Metering Wheels--Black--1 ¼"

Deflector or Tube Spacing Speed Control Setting

| 24" | 27" | 30" | |
|-----------------|------|------|----|
| Pounds Per Acre | | | |
| 9.9 | xx | xx | 12 |
| 10.9 | 9.7 | xx | 13 |
| 12.0 | 10.6 | 9.6 | 14 |
| 12.9 | 11.5 | 10.3 | 15 |
| 13.9 | 12.4 | 11.1 | 16 |
| 14.9 | 13.2 | 11.9 | 17 |
| 15.9 | 14.1 | 12.7 | 18 |
| 16.8 | 14.9 | 13.4 | 19 |
| 17.8 | 15.8 | 14.2 | 20 |
| 18.8 | 16.7 | 15.1 | 21 |
| 19.9 | 17.7 | 15.9 | 22 |
| 21.0 | 18.6 | 16.8 | 23 |
| 22.3 | 19.8 | 17.8 | 24 |
| 23.3 | 20.8 | 18.7 | 25 |
| 24.7 | 21.9 | 19.8 | 26 |
| 26.0 | 23.1 | 20.8 | 27 |
| 27.4 | 24.3 | 21.9 | 28 |
| 28.7 | 25.2 | 22.9 | 29 |
| 30.0 | 26.7 | 24.0 | 30 |
| 31.4 | 27.9 | 25.1 | 31 |
| 32.8 | 29.2 | 26.3 | 32 |
| 34.2 | 30.4 | 27.4 | 33 |
| 35.3 | 31.4 | 28.3 | 34 |
| xx | 32.6 | 29.4 | 35 |
| xx | 34.0 | 30.6 | 36 |
| xx | 35.4 | 31.9 | 37 |
| xx | xx | 33.1 | 38 |
| xx | xx | 34.4 | 39 |
| xx | xx | 35.6 | 40 |

ERADICANE 25G

ICI Chemical Co.

Metering Wheels--Black--1 ¼"

Deflector or Tube Spacing Speed Control Setting

| 24" | 27" | 30" | |
|-----------------|------|------|----|
| Pounds Per Acre | | | |
| 15.2 | xx | xx | 17 |
| 16.1 | xx | xx | 18 |
| 17.5 | 15.5 | xx | 19 |
| 18.5 | 16.4 | xx | 20 |
| 19.8 | 17.6 | 15.8 | 21 |
| 21.1 | 18.8 | 16.9 | 22 |
| 22.4 | 19.9 | 17.9 | 23 |
| 22.9 | 20.4 | 18.3 | 24 |
| 24.2 | 21.5 | 19.3 | 25 |
| xx | 22.4 | 20.1 | 26 |
| xx | 23.2 | 20.9 | 27 |
| xx | 24.1 | 21.7 | 28 |
| xx | xx | 23.6 | 29 |
| xx | xx | 24.4 | 30 |

EPTAM 20G

Zeneca

Metering Wheels--Black--1 ¼"

1994 Formulation

Deflector or Tube Spacing Speed Control Setting

| 24" | 27" | 30" | |
|-----------------|------|------|----|
| Pounds Per Acre | | | |
| 9.3 | 8.3 | 7.4 | 11 |
| 10.3 | 9.1 | 8.2 | 12 |
| 11.2 | 10.0 | 9.0 | 13 |
| 12.0 | 10.7 | 9.6 | 14 |
| 13.0 | 11.6 | 10.4 | 15 |
| 14.1 | 12.5 | 11.3 | 16 |
| 15.1 | 13.5 | 12.1 | 17 |
| 16.2 | 14.4 | 13.0 | 18 |
| 17.4 | 15.4 | 13.9 | 19 |
| 18.4 | 16.4 | 14.7 | 20 |
| 19.5 | 17.4 | 15.6 | 21 |
| 20.6 | 18.3 | 16.5 | 22 |
| 21.7 | 19.3 | 17.4 | 23 |
| 22.9 | 20.4 | 18.3 | 24 |
| 24.0 | 21.4 | 19.2 | 25 |
| 25.3 | 22.5 | 20.2 | 26 |
| 26.5 | 23.6 | 21.2 | 27 |
| 27.7 | 24.7 | 22.2 | 28 |
| 28.8 | 25.6 | 23.0 | 29 |
| 30.0 | 26.7 | 24.0 | 30 |
| 31.6 | 28.1 | 25.3 | 31 |
| 33.3 | 29.6 | 26.6 | 32 |
| 34.9 | 31.0 | 27.9 | 33 |
| 36.5 | 32.5 | 29.2 | 34 |
| 38.2 | 33.9 | 30.5 | 35 |

FAR-GO

Monsanto

Metering Wheels--Black--1 ¼"

Deflector or Tube Spacing Speed Control Setting

| 24" | 27" | 30" | |
|-----------------|------|------|----|
| Pounds Per Acre | | | |
| 3.0 | 2.7 | 2.4 | 5 |
| 3.6 | 3.2 | 2.9 | 6 |
| 4.2 | 3.7 | 3.4 | 7 |
| 4.7 | 4.2 | 3.8 | 8 |
| 5.4 | 4.8 | 4.3 | 9 |
| 6.0 | 5.3 | 4.8 | 10 |
| 6.8 | 6.0 | 5.4 | 11 |
| 7.9 | 7.0 | 6.3 | 12 |
| 8.7 | 7.7 | 7.0 | 13 |
| 9.4 | 8.4 | 7.5 | 14 |
| 10.7 | 9.0 | 8.0 | 15 |
| 13.4 | 12.0 | 10.3 | 18 |
| 14.4 | 12.7 | 11.0 | 19 |
| 15.4 | 14.0 | 12.5 | 20 |
| 19.0 | 17.6 | 15.5 | 24 |

HERBICIDE (327 Sprocket on Drive Wheel)

Gandy Orbit-Air® Implement Mounted
Standard Zeromax Settings for
8, 10, 21.9, & 33.5 cu. ft. Models

FORTRESS

Monsanto-Canada

Metering Wheels--Black--1 ¼"

Deflector or Tube Spacing Speed Control Setting

| 24" | 27" | 30" | |
|-----------------|------|------|------|
| Pounds Per Acre | | | |
| 3.1 | 2.8 | 2.5 | 6 |
| 3.7 | 3.3 | 3.0 | 7 |
| 4.2 | 3.7 | 3.4 | 8 |
| 4.7 | 4.2 | 3.8 | 9 |
| 5.2 | 4.6 | 4.2 | 10 |
| 6.2 | 5.5 | 5.0 | 11 |
| 7.1 | 6.3 | 5.7 | 12 |
| 8.1 | 7.2 | 6.5 | 13 |
| 9.1 | 8.1 | 7.3 | 14 |
| 10.0 | 8.9 | 8.0 | 15 |
| 11.0 | 9.8 | 8.8 | 16 |
| 12.0 | 10.7 | 9.6 | 17.5 |
| 13.0 | 11.6 | 10.4 | 18.5 |
| 14.0 | 12.4 | 11.2 | 19.5 |
| 15.0 | 13.3 | 12.0 | 20 |
| xx | 14.2 | 12.8 | 21 |
| xx | 15.0 | 13.6 | 22 |
| xx | xx | 14.4 | 23 |
| xx | xx | 15.2 | 24 |

HERITAGE

DowElanco-Canada

Metering Wheels--Black--1 ¼"

Deflector or Tube Spacing Speed Control Setting

| 24" | 27" | 30" | |
|-----------------|------|------|------|
| Pounds Per Acre | | | |
| 2.0 | 1.8 | 1.6 | 2 |
| 3.0 | 2.7 | 2.4 | 3 |
| 4.0 | 3.6 | 3.2 | 4 |
| 5.0 | 4.4 | 4.0 | 5 |
| 6.0 | 5.3 | 4.8 | 6 |
| 7.0 | 6.2 | 5.6 | 7 |
| 8.0 | 7.1 | 6.4 | 8 |
| 9.0 | 8.0 | 7.2 | 9 |
| 10.0 | 8.9 | 8.0 | 10 |
| 14.0 | 12.0 | 11.0 | 12.5 |
| 15.0 | 13.0 | 12.0 | 13 |
| 20.0 | 18.0 | 16.0 | 16 |
| 25.0 | 22.0 | 20.0 | 18 |
| 30.0 | 27.0 | 24.0 | 21 |

LASSO II

Monsanto

Metering Wheels--Black--1 ¼"

Deflector or Tube Spacing Speed Control Setting

| 24" | 27" | 30" | |
|-----------------|------|------|------|
| Pounds Per Acre | | | |
| 14.5 | 13.0 | 12.0 | 18.5 |
| 16 | 15.0 | 13.0 | 20 |
| 20 | 18.0 | 16.0 | 23 |
| 22.5 | 20.0 | 18.0 | 24.5 |
| 25 | 23.0 | 20.0 | 26.0 |
| 27.7 | 25.0 | 22.0 | 28 |
| 32 | 29.0 | 26.0 | 31 |

RIVAL 10G

Hoeschst-Canada

Metering Wheels--Black--1 ¼"

Deflector or Tube Spacing Speed Control Setting

| 24" | 27" | 30" | |
|-----------------|------|------|------|
| Pounds Per Acre | | | |
| 4.8 | 4.3 | 3.8 | 6.5 |
| 5.8 | 5.2 | 4.7 | 7.5 |
| 6.7 | 6.0 | 5.4 | 8.5 |
| 7.4 | 6.6 | 5.9 | 9 |
| 8.1 | 7.2 | 6.5 | 9.5 |
| 8.5 | 7.6 | 6.8 | 10 |
| 9.9 | 8.8 | 7.9 | 11 |
| 10.6 | 9.4 | 8.5 | 11.5 |
| 11.2 | 10.0 | 9.0 | 12 |
| 12.9 | 11.5 | 10.3 | 13 |
| 13.7 | 12.1 | 10.9 | 13.5 |
| 14.4 | 12.8 | 11.5 | 14 |
| 15.7 | 13.9 | 12.6 | 15 |
| 16.4 | 14.6 | 13.2 | 15.5 |
| 17.2 | 15.3 | 13.8 | 16 |
| 18.5 | 16.4 | 14.8 | 17 |

RO-NEET 10G

ICI Americas

Metering Wheels--Black--1 ¼"

Deflector or Tube Spacing Speed Control Setting

| 24" | 27" | 30" | |
|-----------------|-----|-----|----|
| Pounds Per Acre | | | |
| 25 | 23 | 20 | 25 |
| 30 | 27 | 24 | 29 |
| 33 | 30 | 26 | 31 |
| 35 | 32 | 28 | 32 |
| 40 | 36 | 32 | 35 |
| 43 | 39 | 34 | 37 |
| 50 | 45 | 40 | 40 |

HERBICIDE (32T Sprocket on Drive Wheel)

Gandy Orbit-Air® Implement Mounted
Standard Zeromax Settings for
8, 10, 21.9, & 33.5 cu. ft. Models

SHOWDOWN

Monsanto

Metering Wheels--Black--1 ¼"

Deflector or Tube Spacing Speed Control Setting

| 24" | 27" | 30" | |
|-----------------|-----|-----|------|
| Pounds Per Acre | | | |
| 6.2 | xx | xx | 8.5 |
| xx | 6.2 | xx | 9.5 |
| xx | xx | 6.2 | 10.5 |
| 7.5 | xx | xx | 9.5 |
| xx | 7.5 | xx | 10.5 |
| xx | xx | 7.5 | 11.5 |

SONALAN 10G

DowElanco

Metering Wheels--Black--1 ¼"

Deflector or Tube Spacing Speed Con. Sett.

| 17" | 24" | 27" | 30" | |
|-----------------|------|------|------|----|
| Pounds Per Acre | | | | |
| 4.4 | 3.1 | 2.8 | 2.5 | 5 |
| 5.5 | 3.9 | 3.4 | 3.1 | 6 |
| 6.5 | 4.6 | 4.1 | 3.7 | 7 |
| 7.6 | 5.4 | 4.8 | 4.3 | 8 |
| 8.8 | 6.3 | 5.6 | 5.0 | 9 |
| 9.9 | 7.0 | 6.3 | 5.6 | 10 |
| 11.2 | 7.9 | 7.0 | 6.3 | 11 |
| 12.4 | 8.8 | 7.8 | 7.1 | 12 |
| 13.7 | 9.7 | 8.6 | 7.8 | 13 |
| 14.8 | 10.5 | 9.3 | 8.4 | 14 |
| 16.0 | 11.3 | 10.1 | 9.1 | 15 |
| 17.3 | 12.3 | 10.9 | 9.8 | 16 |
| 18.6 | 13.2 | 11.7 | 10.5 | 17 |
| 19.9 | 14.1 | 12.5 | 11.3 | 18 |
| 21.0 | 14.9 | 13.2 | 11.9 | 19 |
| 22.3 | 15.8 | 14.0 | 12.6 | 20 |
| 23.7 | 16.8 | 14.9 | 13.4 | 21 |
| 25.1 | 17.8 | 15.8 | 14.2 | 22 |
| 26.5 | 18.8 | 16.7 | 15.0 | 23 |
| 28.0 | 19.9 | 17.7 | 15.9 | 24 |
| 29.5 | 20.9 | 18.6 | 16.7 | 25 |
| 31.0 | 22.0 | 19.5 | 17.6 | 26 |
| 32.5 | 23.1 | 20.5 | 18.4 | 27 |
| 34.1 | 24.1 | 21.5 | 19.3 | 28 |
| 35.0 | 24.8 | 22.0 | 19.8 | 29 |
| 36.5 | 25.9 | 23.0 | 20.7 | 30 |

SURPASS 20G

Zeneca (New Granule)

Metering Wheels--Black--1 ¼"

Deflector or Tube Spacing Speed Con. Sett.

| 12" | 24" | 27" | 30" | |
|-----------------|------|------|------|----|
| Pounds Per Acre | | | | |
| 7.9 | 3.9 | 3.5 | 3.2 | 5 |
| 9.7 | 4.8 | 4.3 | 3.9 | 6 |
| 11.5 | 5.7 | 5.1 | 4.6 | 7 |
| 13.3 | 6.6 | 5.9 | 5.3 | 8 |
| 15.7 | 7.8 | 7.0 | 6.3 | 9 |
| 17.6 | 8.8 | 7.8 | 7.0 | 10 |
| 19.5 | 9.8 | 8.7 | 7.8 | 11 |
| 21.5 | 10.7 | 9.5 | 8.6 | 12 |
| 23.5 | 11.7 | 10.4 | 9.4 | 13 |
| 25.4 | 12.7 | 11.3 | 10.2 | 14 |
| 27.4 | 13.7 | 12.2 | 10.9 | 15 |
| 29.5 | 14.7 | 13.1 | 11.8 | 16 |
| 31.6 | 15.8 | 14.0 | 12.6 | 17 |
| 33.7 | 16.9 | 15.0 | 13.5 | 18 |
| 35.2 | 17.6 | 15.6 | 14.1 | 19 |
| 37.3 | 18.6 | 16.6 | 14.9 | 20 |
| 39.7 | 19.8 | 17.6 | 15.9 | 21 |
| 42.1 | 21.1 | 18.7 | 16.9 | 22 |
| 44.6 | 22.3 | 19.8 | 17.8 | 23 |
| 47.3 | 23.7 | 21.0 | 18.9 | 24 |
| 49.8 | 24.9 | 22.1 | 19.9 | 25 |
| 52.4 | 26.2 | 23.3 | 21.0 | 26 |
| 55.0 | 27.5 | 24.5 | 22.0 | 27 |
| 57.6 | 28.8 | 25.6 | 23.1 | 28 |
| 59.7 | 29.8 | 26.5 | 23.9 | 29 |
| 62.3 | 31.1 | 27.7 | 24.9 | 30 |
| 65.1 | 32.6 | 29.0 | 26.1 | 31 |
| 68.0 | 34.0 | 30.2 | 27.2 | 32 |
| 70.9 | 35.5 | 31.5 | 28.4 | 33 |
| 74.4 | 37.2 | 33.1 | 29.8 | 34 |
| 77.4 | 38.7 | 34.4 | 30.9 | 35 |
| 80.7 | 40.3 | 35.9 | 32.3 | 36 |
| 84.7 | 42.0 | 37.3 | 33.6 | 37 |
| 87.3 | 43.7 | 38.8 | 34.9 | 38 |
| 89.6 | 44.8 | 39.8 | 35.8 | 39 |
| 92.8 | 46.4 | 41.3 | 37.1 | 40 |

SUTAN + 10G

ICI Americas

Metering Wheels--Black--1 ¼"

Deflector or Tube Spacing Speed Control Setting

| 24" | 27" | 30" | |
|-----------------|-----|-----|----|
| Pounds Per Acre | | | |
| 25 | 23 | 20 | 27 |
| 30 | 27 | 24 | 31 |
| 35 | 32 | 28 | 34 |
| 40 | 36 | 32 | 37 |
| 45 | 41 | 36 | 42 |

HERBICIDE (32T Sprocket on Drive Wheel)

Gandy Orbit-Air® Implement Mounted
Standard Zeromax Settings for
8, 10, 21.9, & 33.5 cu. ft. Models

SUTAZINE + 18-6G

ICI Americas

Metering Wheels--Black--1 ¼"

Deflector or Tube Spacing Speed Control Setting

| 24" | 27" | 30" | |
|-----------------|-----|-----|------------|
| Pounds Per Acre | | | |
| 16 | 15 | 13 | 20 |
| 18 | 16 | 14 | 21 |
| 23 | 20 | 18 | 24.5 |
| 30 | 27 | 24 | 29 |
| 33 | 29 | 26 | 31 |
| 40 | 36 | 32 | 36 |
| 42 | 38 | 34 | 37 |
| 50 | 45 | 40 | 43 |

TREFLAN QR5

DowElanco-Canada

Metering Wheels--Black--1 ¼"

Deflector or Tube Spacing Speed Control Setting

| 24" | 27" | 30" | |
|-----------------|------|------|------------|
| Pounds Per Acre | | | |
| 2.0 | 1.8 | 1.6 | 2 |
| 3.0 | 2.7 | 2.4 | 3 |
| 4.0 | 3.6 | 3.2 | 4 |
| 5.0 | 4.4 | 4.0 | 5 |
| 6.0 | 5.3 | 4.8 | 6 |
| 7.0 | 6.2 | 5.6 | 7 |
| 8.0 | 7.1 | 6.4 | 8 |
| 9.0 | 8.0 | 7.2 | 9 |
| 10.0 | 8.9 | 8.0 | 10 |
| 14.0 | 12.0 | 11.0 | 12.5 |
| 15.0 | 13.0 | 12.0 | 13 |
| 20.0 | 18.0 | 16.0 | 16 |

TREFLAN TR-10

DowElanco 1993 Formulation Lot #MM92111

Metering Wheels--Black--1 ¼"

Deflector or Tube Spacing Speed Con. Sett.

| 17" | 24" | 27" | 30" | |
|-----------------|------|------|------|----------|
| Pounds Per Acre | | | | |
| 4.6 | 3.3 | 2.9 | 2.6 | 5 |
| 5.7 | 4.1 | 3.6 | 3.3 | 6 |
| 6.9 | 4.9 | 4.3 | 3.9 | 7 |
| 8.0 | 5.7 | 5.1 | 4.6 | 8 |
| 9.1 | 6.4 | 5.7 | 5.1 | 9 |
| 10.2 | 7.2 | 6.4 | 5.8 | 10 |
| 11.4 | 8.1 | 7.2 | 6.5 | 11 |
| 12.6 | 9.0 | 8.0 | 7.2 | 12 |
| 13.9 | 9.8 | 8.7 | 7.9 | 13 |
| 15.2 | 10.8 | 9.6 | 8.6 | 14 |
| 16.4 | 11.6 | 10.3 | 9.3 | 15 |
| 17.8 | 12.6 | 11.2 | 10.1 | 16 |
| 19.2 | 13.6 | 12.1 | 10.9 | 17 |
| 20.6 | 14.6 | 13.0 | 11.7 | 18 |
| 21.8 | 15.5 | 13.7 | 12.4 | 19 |
| 23.2 | 16.4 | 14.6 | 13.2 | 20 |
| 24.5 | 17.4 | 15.5 | 13.9 | 21 |
| 25.9 | 18.3 | 16.3 | 14.7 | 22 |
| 27.2 | 19.3 | 17.1 | 15.4 | 23 |
| 29.1 | 20.6 | 18.3 | 16.5 | 24 |
| 30.5 | 21.6 | 19.2 | 17.3 | 25 |

TREFLAN TR-10

DowElanco 1996 Formulation New Candidate

Metering Wheels--Black--1 ¼"

Deflector or Tube Spacing Speed Con. Sett.

| 12" | 24" | 27" | 30" | |
|-----------------|------|------|------|----------|
| Pounds Per Acre | | | | |
| 5.9 | 2.9 | 2.6 | 2.4 | 5 |
| 7.4 | 3.7 | 3.3 | 3.0 | 6 |
| 9.0 | 4.5 | 4.0 | 3.6 | 7 |
| 10.5 | 5.3 | 4.7 | 4.2 | 8 |
| 11.6 | 5.8 | 5.2 | 4.6 | 9 |
| 13.1 | 6.5 | 5.8 | 5.2 | 10 |
| 14.7 | 7.4 | 6.5 | 5.9 | 11 |
| 16.4 | 8.2 | 7.3 | 6.5 | 12 |
| 18.0 | 9.0 | 8.0 | 7.2 | 13 |
| 19.8 | 9.9 | 8.8 | 7.9 | 14 |
| 21.4 | 10.7 | 9.5 | 8.6 | 15 |
| 23.2 | 11.6 | 10.3 | 9.3 | 16 |
| 24.9 | 12.5 | 11.1 | 10.0 | 17 |
| 26.7 | 13.3 | 11.9 | 10.7 | 18 |
| 28.1 | 14.0 | 12.5 | 11.2 | 19 |
| 29.8 | 14.9 | 13.3 | 11.9 | 20 |
| 31.7 | 15.9 | 14.1 | 12.7 | 21 |
| 33.6 | 16.8 | 14.9 | 13.4 | 22 |
| 35.5 | 17.7 | 15.8 | 14.2 | 23 |
| 37.8 | 18.9 | 16.8 | 15.1 | 24 |
| 39.7 | 19.9 | 17.6 | 15.9 | 25 |
| 41.9 | 20.9 | 18.6 | 16.8 | 26 |
| 44.1 | 22.0 | 19.6 | 17.6 | 27 |
| 46.3 | 23.1 | 20.6 | 18.5 | 28 |
| 48.2 | 24.1 | 21.4 | 19.3 | 29 |
| 50.4 | 25.2 | 22.4 | 20.2 | 30 |
| 52.8 | 26.4 | 23.5 | 21.1 | 31 |
| 55.1 | 27.6 | 24.5 | 22.1 | 32 |
| 57.5 | 28.7 | 25.5 | 23.0 | 33 |
| 59.7 | 29.8 | 26.5 | 23.9 | 34 |
| 62.0 | 31.0 | 27.6 | 24.8 | 35 |
| 64.6 | 32.3 | 28.7 | 25.9 | 36 |
| 67.3 | 33.6 | 29.9 | 26.9 | 37 |
| 69.9 | 34.9 | 31.0 | 27.9 | 38 |
| 71.8 | 35.9 | 31.9 | 28.7 | 39 |
| 74.4 | 37.2 | 33.1 | 29.8 | 40 |

VERNAM 10G

ICI Americas

Metering Wheels--Black--1 ¼"

Deflector or Tube Spacing Speed Control Setting

| 24" | 27" | 30" | |
|-----------------|-----|-----|------------|
| Pounds Per Acre | | | |
| 18 | 16 | 13 | 16 |
| 20 | 18 | 16 | 17 |
| 22 | 20 | 18 | 18.5 |
| 25 | 23 | 20 | 20 |
| 30 | 27 | 24 | 23 |
| 32.5 | 30 | 26 | 24.5 |
| 38 | 34 | 30 | 27.5 |

INSECTICIDES (32T Sprocket on Drive Wheel)

Gandy Orbit-Air® Implement Mounted
Standard Zeromax Settings for
8, 10, 21.9, & 33.5 cu. ft. Models

COUNTER 15G

American Cyanamid

Metering Wheels--Black--1 ¼"

| <u>Deflector or Tube Spacing</u> | | | | <u>Speed Con. Sett.</u> |
|----------------------------------|------|------|------|-------------------------|
| 22" | 30" | 36" | 38" | |
| Pounds Per Acre | | | | |
| 3.7 | 2.7 | 2.3 | 2.0 | 3.5 |
| 7.4 | 5.4 | 4.5 | 4.3 | 7.5 |
| 9.6 | 7.0 | 5.9 | 5.6 | 10.0 |
| 11.1 | 8.1 | 6.8 | 6.4 | 11.0 |
| 14.8 | 10.8 | 9.0 | 8.6 | 14.0 |
| 19.1 | 14.0 | 11.7 | 11.1 | 16.5 |
| 23.0 | 16.8 | 14.0 | 13.3 | 19.0 |

DIPEL 10G

DowElanco

Metering Wheels--Black--1 ¼"

| <u>Deflector or Tube Spacing</u> | | | | <u>Speed Con. Sett.</u> |
|----------------------------------|------|------|------|-------------------------|
| 22" | 30" | 36" | 38" | |
| Pounds Per Acre | | | | |
| 3.2 | 2.4 | 2.0 | 1.9 | 3.5 |
| 6.4 | 4.7 | 3.9 | 3.7 | 7.5 |
| 8.4 | 6.1 | 5.1 | 4.8 | 10.0 |
| 9.7 | 7.1 | 5.9 | 5.6 | 11.0 |
| 12.9 | 9.4 | 7.9 | 7.5 | 14.0 |
| 15.5 | 11.4 | 9.5 | 9.0 | 16.5 |
| 18.7 | 13.7 | 11.4 | 10.8 | 19.0 |
| 19.9 | 14.6 | 12.2 | 11.5 | 20.0 |
| 21.8 | 16.0 | 13.3 | 12.6 | 21.5 |
| 24.9 | 18.2 | 15.2 | 14.4 | 23.5 |

DYFONATE 20G

ICI Americas

Metering Wheels--Black--1 ¼"

| <u>Deflector or Tube Spacing</u> | | | | <u>Speed Con. Sett.</u> |
|----------------------------------|-----|-----|-----|-------------------------|
| 22" | 30" | 36" | 38" | |
| Pounds Per Acre | | | | |
| 3.5 | 2.6 | 2.1 | 2.0 | 3.5 |
| 7.0 | 5.2 | 4.3 | 4.1 | 7.5 |
| 9.1 | 6.7 | 5.6 | 5.3 | 10.0 |

FORCE 1.5G

ICI Americas

Metering Wheels--Black--1 ¼"

| <u>Deflector or Tube Spacing</u> | | | | <u>Speed Con. Sett.</u> |
|----------------------------------|------|------|------|-------------------------|
| 22" | 30" | 36" | 38" | |
| Pounds Per Acre | | | | |
| 6.4 | 4.7 | 3.9 | 3.7 | 7.5 |
| 8.3 | 6.1 | 5.1 | 4.8 | 10.0 |
| 9.6 | 7.0 | 5.9 | 5.6 | 11.0 |
| 12.8 | 9.4 | 7.8 | 7.4 | 14.0 |
| 17.4 | 12.8 | 10.6 | 10.1 | 16.5 |
| 20.9 | 15.3 | 12.8 | 12.1 | 19.0 |
| 22.3 | 16.4 | 13.6 | 12.9 | 20.0 |

FULL-BACK

Metering Wheels--Black--1 ¼"

| <u>Deflector or Tube Spacing</u> | | | <u>Speed Control Setting</u> |
|----------------------------------|------|------|------------------------------|
| 24" | 27" | 30" | |
| Pounds Per Acre | | | |
| 4.7 | 4.1 | 3.9 | 7 |
| 5.1 | 4.6 | 4.1 | 8 |
| 7.7 | 6.8 | 6.1 | 9 |
| 8.3 | 7.4 | 6.7 | 10 |
| 9.4 | 8.3 | 7.5 | 11 |
| 10.4 | 9.2 | 8.3 | 12 |
| 11.4 | 10.2 | 9.1 | 13 |
| 12.4 | 11.0 | 9.9 | 14 |
| 13.4 | 11.9 | 10.8 | 15 |
| 14.6 | 13.0 | 11.7 | 16 |
| xx | 14.0 | 12.6 | 17 |
| xx | 15.0 | 13.5 | 18 |
| xx | xx | 14.5 | 19 |
| xx | xx | 15.4 | 20 |

FURADAN 15G

FMC Chemical

Metering Wheels--Black--1 ¼"

| <u>Deflector or Tube Spacing</u> | | | | <u>Speed Con. Sett.</u> |
|----------------------------------|------|------|------|-------------------------|
| 22" | 30" | 36" | 38" | |
| Pounds Per Acre | | | | |
| 4.3 | 3.1 | 2.6 | 2.5 | 3.5 |
| 8.5 | 6.2 | 5.2 | 4.9 | 7.5 |
| 11.1 | 8.1 | 6.8 | 6.4 | 10.0 |
| 12.8 | 9.4 | 7.8 | 7.4 | 11.0 |
| 17.0 | 12.5 | 10.4 | 9.9 | 14.0 |
| 25.5 | 18.7 | 15.6 | 14.8 | 16.5 |
| 30.6 | 22.5 | 18.7 | 17.7 | 19.0 |
| 32.7 | 24.0 | 20.0 | 18.9 | 20.0 |
| 35.7 | 26.2 | 21.8 | 20.7 | 21.5 |
| 40.9 | 30.0 | 25.0 | 23.7 | 23.5 |
| 46.0 | 33.7 | 28.1 | 26.6 | 25.5 |
| 52.2 | 38.3 | 31.9 | 30.2 | 27.5 |
| 57.5 | 42.1 | 35.1 | 33.3 | 29.0 |
| xx | 45.2 | 37.7 | 35.7 | 30.0 |
| xx | 46.0 | 38.3 | 36.3 | 30.5 |
| xx | 49.8 | 41.5 | 39.9 | 32.0 |
| xx | xx | 44.7 | 42.3 | 33.5 |
| xx | xx | 47.9 | 45.4 | 35.0 |
| xx | xx | 49.0 | 46.4 | 36.0 |
| xx | xx | 52.1 | 49.3 | 37.0 |

INSECTICIDES (327 Sprocket on Drive Wheel)

Gandy Orbit-Air® Implement Mounted
Standard Zeromax Settings for
8, 10, 21.9, & 33.5 cu. ft. Models

LORSBAN 15G

Dow Chemical Company
Metering Wheels--Black--1 ¼"

| <u>Deflector or Tube Spacing</u> | | | | <u>Speed Con. Sett.</u> |
|----------------------------------|------|------|-----|-------------------------|
| 22" | 30" | 36" | 38" | |
| Pounds Per Acre | | | | |
| 2.3 | 1.7 | 1.4 | 1.3 | 3.5 |
| 4.6 | 3.4 | 2.8 | 2.7 | 7.5 |
| 6.0 | 4.4 | 3.7 | 3.5 | 10.0 |
| 7.0 | 5.1 | 4.3 | 4.0 | 11.0 |
| 9.3 | 6.8 | 5.7 | 5.4 | 14.0 |
| 12.2 | 8.9 | 7.4 | 7.0 | 16.5 |
| 14.6 | 10.7 | 8.9 | 8.4 | 19.0 |
| 15.6 | 11.4 | 9.5 | 9.0 | 20.0 |
| 17.0 | 12.5 | 10.4 | 9.9 | 21.5 |

M- PERIL

Mycogen
Metering Wheels--Black--1 ¼"

| <u>Deflector or Tube Spacing</u> | | | | <u>Speed Con. Sett.</u> |
|----------------------------------|-------|-------|------|-------------------------|
| 12" | 24" | 27" | 30" | |
| Pounds Per Acre | | | | |
| 19.6 | 9.8 | 8.7 | 7.8 | 5 |
| 24.3 | 12.2 | 10.8 | 9.7 | 6 |
| 29.1 | 14.5 | 12.9 | 11.6 | 7 |
| 33.8 | 16.9 | 15.0 | 13.5 | 8 |
| 38.8 | 19.4 | 17.3 | 15.5 | 9 |
| 43.6 | 21.8 | 19.4 | 17.4 | ... 10 |
| 48.6 | 24.3 | 21.6 | 19.5 | ... 11 |
| 53.6 | 26.8 | 23.8 | 21.5 | ... 12 |
| 58.7 | 29.3 | 26.1 | 23.5 | ... 13 |
| 64.5 | 32.3 | 28.7 | 25.8 | ... 14 |
| 69.6 | 34.8 | 30.9 | 27.8 | ... 15 |
| 75.9 | 38.0 | 33.7 | 30.4 | ... 16 |
| 82.2 | 41.1 | 36.6 | 32.9 | ... 17 |
| 88.6 | 44.3 | 39.4 | 35.4 | ... 18 |
| 92.7 | 46.3 | 41.2 | 37.1 | ... 19 |
| 98.9 | 49.4 | 43.9 | 39.5 | ... 20 |
| 105.2 | 52.6 | 46.8 | 42.1 | ... 21 |
| 111.6 | 55.8 | 49.6 | 44.6 | ... 22 |
| 117.9 | 59.0 | 52.4 | 47.2 | ... 23 |
| 123.2 | 61.6 | 54.8 | 49.3 | ... 24 |
| 129.5 | 64.8 | 57.6 | 51.8 | ... 25 |
| 136.6 | 68.3 | 60.7 | 54.6 | ... 26 |
| 143.6 | 71.8 | 63.8 | 57.5 | ... 27 |
| 150.7 | 75.3 | 67.0 | 60.3 | ... 28 |
| 157.6 | 78.8 | 70.1 | 63.1 | ... 29 |
| 164.7 | 82.3 | 73.2 | 65.9 | ... 30 |
| 171.7 | 85.8 | 76.3 | 68.7 | ... 31 |
| 178.7 | 89.4 | 79.4 | 71.5 | ... 32 |
| 185.7 | 92.9 | 82.5 | 74.3 | ... 33 |
| 190.7 | 95.3 | 84.8 | 76.3 | ... 34 |
| 197.6 | 98.8 | 87.8 | 79.1 | ... 35 |
| 206.0 | 103.0 | 91.6 | 82.4 | ... 36 |
| 214.4 | 107.2 | 95.3 | 85.7 | ... 37 |
| 222.7 | 111.4 | 99.0 | 89.1 | ... 38 |
| 230.0 | 115.0 | 102.2 | 92.0 | ... 39 |
| 238.3 | 119.1 | 105.9 | 95.3 | ... 40 |

MOCAP 15G

Rhone-Poulenc
Metering Wheels--Black--1 ¼"

| <u>Deflector or Tube Spacing</u> | | | | <u>Speed Con. Sett.</u> |
|----------------------------------|------|------|------|-------------------------|
| 22" | 30" | 36" | 38" | |
| Pounds Per Acre | | | | |
| 2.5 | 1.8 | 1.5 | 1.5 | 3.5 |
| 5.0 | 3.7 | 3.1 | 2.9 | 7.5 |
| 6.5 | 4.8 | 4.0 | 3.8 | 10.0 |
| 7.6 | 5.5 | 4.6 | 4.4 | 11.0 |
| 10.1 | 7.4 | 6.2 | 5.8 | 14.0 |
| 12.8 | 9.4 | 7.8 | 7.4 | 16.5 |
| 15.3 | 11.2 | 9.4 | 8.9 | 19.0 |
| 16.4 | 12.0 | 10.0 | 9.5 | 20.0 |
| 17.9 | 13.1 | 10.9 | 10.4 | 21.5 |
| 20.5 | 15.0 | 12.5 | 11.8 | 23.5 |
| 23.0 | 16.9 | 14.1 | 13.3 | 25.5 |
| 24.0 | 17.6 | 14.7 | 13.9 | 27.5 |
| 26.4 | 19.4 | 16.2 | 15.3 | 29.0 |
| 28.4 | 20.8 | 17.3 | 16.4 | 30.0 |
| 28.8 | 21.2 | 17.6 | 16.7 | 30.5 |
| 31.2 | 22.9 | 19.1 | 18.1 | 32.0 |
| 33.7 | 24.7 | 20.6 | 19.5 | 33.5 |
| 36.1 | 26.4 | 22.0 | 20.9 | 35.0 |
| 36.8 | 27.2 | 22.9 | 21.5 | 36.0 |
| 38.0 | 27.9 | 23.2 | 22.0 | 37.0 |
| 40.3 | 29.5 | 24.6 | 23.3 | 38.0 |
| 42.5 | 31.2 | 26.0 | 24.6 | 39.0 |
| 44.7 | 32.8 | 27.3 | 25.9 | 40.0 |
| 47.0 | 34.4 | 28.7 | 27.2 | 41.0 |
| 49.2 | 36.1 | 30.1 | 28.5 | 42.0 |
| 51.4 | 37.7 | 31.4 | 29.8 | 43.0 |

POUNCE

Metering Wheels--Black--1 ¼"

| <u>Deflector or Tube Spacing</u> | | | <u>Speed Control Setting</u> |
|----------------------------------|------|------|------------------------------|
| 24" | 27" | 30" | |
| Pounds Per Acre | | | |
| 6.8 | 6.0 | xx | 6 |
| 8.1 | 7.2 | 6.5 | 7 |
| 9.5 | 8.4 | 7.6 | 8 |
| 10.8 | 9.6 | 8.7 | 9 |
| 12.2 | 10.8 | 9.7 | 10 |
| 13.7 | 12.1 | 10.9 | 11 |
| xx | 13.5 | 12.1 | 12 |
| xx | xx | 13.3 | 13 |
| xx | xx | 14.5 | 14 |

INSECTICIDES (32T Sprocket on Drive Wheel)

Gandy Orbit-Air® Implement Mounted
Standard Zeromax Settings for
8, 10, 21.9, & 33.5 cu. ft. Models

TEMIK 15G

Rhone-Poulenc

Metering Wheels--Black--1 ¼"

| <u>Deflector or Tube Spacing</u> | | | | <u>Speed Con. Sett.</u> |
|----------------------------------|------|------|------|-------------------------|
| 22" | 30" | 36" | 38" | |
| Pounds Per Acre | | | | |
| 3.4 | 2.5 | 2.1 | 1.9 | 3.5 |
| 6.7 | 4.9 | 4.1 | 3.9 | 7.5 |
| 8.7 | 6.4 | 5.3 | 5.1 | 10.0 |
| 10.1 | 7.4 | 6.2 | 5.8 | 11.0 |
| 13.4 | 9.8 | 8.2 | 7.8 | 14.0 |
| 18.8 | 13.8 | 11.5 | 10.9 | 16.5 |
| 22.5 | 16.5 | 13.7 | 13.0 | 19.0 |
| 24.0 | 17.6 | 14.7 | 13.9 | 20.0 |
| 26.2 | 19.2 | 16.0 | 15.2 | 21.5 |
| 30.0 | 22.0 | 18.3 | 17.4 | 23.5 |
| 33.8 | 24.8 | 20.6 | 19.5 | 25.5 |
| 36.1 | 26.4 | 22.0 | 20.9 | 27.5 |
| 39.7 | 29.1 | 24.2 | 23.0 | 29.0 |
| 42.5 | 31.2 | 26.0 | 24.6 | 30.0 |
| 43.3 | 31.7 | 26.4 | 25.0 | 30.5 |
| 46.9 | 34.4 | 28.6 | 27.1 | 32.0 |
| 50.5 | 37.0 | 30.8 | 29.2 | 33.5 |
| 54.1 | 39.7 | 33.1 | 31.3 | 35.0 |
| 58.5 | 42.9 | 35.7 | 33.9 | 36.0 |
| 62.1 | 45.6 | 38.0 | 36.0 | 37.0 |
| 65.8 | 48.2 | 40.2 | 38.1 | 38.0 |
| 69.4 | 50.9 | 42.4 | 40.2 | 39.0 |
| 73.1 | 53.6 | 44.7 | 42.3 | 40.0 |
| 76.7 | 56.3 | 46.9 | 44.4 | 41.0 |
| 80.4 | 59.0 | 49.1 | 46.5 | 42.0 |
| 84.1 | 61.6 | 51.4 | 48.7 | 43.0 |

THIMET 15G & 20G

American Cyanamid

Metering Wheels--Black--1 ¼"

| <u>Deflector or Tube Spacing</u> | | | | <u>Speed Con. Sett.</u> |
|----------------------------------|------|------|------|-------------------------|
| 22" | 30" | 36" | 38" | |
| Pounds Per Acre | | | | |
| 3.9 | 2.8 | 2.4 | 2.2 | 3.5 |
| 7.8 | 5.7 | 4.7 | 4.5 | 7.5 |
| 10.1 | 7.4 | 6.2 | 5.8 | 10 |
| 11.7 | 8.5 | 7.1 | 6.7 | 11 |
| 15.5 | 11.4 | 9.5 | 9.0 | 14 |
| 18.3 | 13.4 | 11.2 | 10.6 | 16.5 |
| 22.0 | 16.1 | 13.4 | 12.7 | 19 |
| 23.5 | 17.2 | 14.3 | 13.6 | 20 |
| 25.7 | 18.8 | 15.7 | 14.9 | 21.5 |
| 29.3 | 21.5 | 17.9 | 17.0 | 23.5 |
| 33.0 | 24.2 | 20.2 | 19.1 | 25.5 |
| 36.1 | 26.5 | 22.1 | 20.9 | 27.5 |
| 39.7 | 29.1 | 24.3 | 23.0 | 29 |
| 42.6 | 31.3 | 26.1 | 24.7 | 30 |

ALFALFA

Metering Wheels--Black--1 ¼"

Deflector or Tube Spacing Speed Control Setting

| 24" | 27" | 30" | |
|-----------------|-----|-----|------|
| Pounds Per Acre | | | |
| 7.5 | 7 | 6 | 8.0 |
| 9.0 | 8 | 7 | 10.0 |
| 12.5 | 11 | 10 | 12.5 |
| 15.0 | 14 | 12 | 14.5 |
| 17.0 | 16 | 14 | 16.0 |
| 20.0 | 18 | 16 | 18.5 |
| 22.0 | 20 | 18 | 20.0 |
| 26.0 | 24 | 21 | 22.5 |

CANOLA

Un. Grain Growers

Metering Wheels--Black--1 ¼"

Deflector or Tube Spacing Speed Control Setting

| 24" | 27" | 30" | |
|-----------------|------|------|----|
| Pounds Per Acre | | | |
| 4.7 | 4.2 | 3.8 | 5 |
| 5.8 | 5.2 | 4.7 | 6 |
| 6.9 | 6.2 | 5.6 | 7 |
| 8.1 | 7.2 | 6.4 | 8 |
| 9.0 | 8.0 | 7.2 | 9 |
| 10.1 | 9.0 | 8.1 | 10 |
| 11.3 | 10.0 | 9.0 | 11 |
| 12.4 | 11.0 | 9.9 | 12 |
| xx | 12.0 | 10.8 | 13 |
| xx | xx | 11.8 | 14 |

COTTON

NK-#235

Metering Wheels--Yellow --1 ¼"

Deflector or Tube Spacing Speed Con. Sett.

| 24" | 27" | 30" | 38" | |
|-----------------|------|------|------|----|
| Pounds Per Acre | | | | |
| 17.2 | 13.8 | 11.5 | 10.9 | 10 |
| 19.6 | 15.7 | 13.1 | 12.4 | 11 |
| 22.0 | 17.6 | 14.7 | 13.9 | 12 |
| 24.4 | 19.5 | 16.2 | 15.4 | 13 |
| 26.2 | 21.0 | 17.5 | 16.6 | 14 |
| 28.6 | 22.8 | 19.0 | 18.0 | 15 |
| 30.9 | 24.7 | 20.3 | 19.5 | 16 |
| 33.2 | 26.6 | 22.1 | 21.0 | 17 |
| 35.5 | 28.4 | 23.7 | 22.4 | 18 |
| 37.6 | 30.0 | 25.0 | 23.7 | 19 |
| 39.9 | 31.9 | 26.6 | 25.2 | 20 |
| 42.9 | 34.3 | 28.6 | 27.1 | 21 |
| 45.9 | 36.7 | 30.6 | 29.0 | 22 |
| 48.9 | 39.1 | 32.6 | 30.9 | 23 |
| 51.1 | 40.9 | 34.1 | 32.3 | 24 |
| 54.1 | 43.3 | 36.1 | 34.2 | 25 |
| 57.1 | 45.6 | 38.0 | 36.0 | 26 |
| 60.0 | 48.0 | 40.0 | 37.9 | 27 |
| 63.0 | 50.4 | 42.0 | 39.8 | 28 |
| 65.4 | 52.3 | 43.6 | 41.3 | 29 |
| 68.3 | 54.7 | 45.5 | 43.2 | 30 |

FLAX

Metering Wheels--Black--1 ¼"

Deflector or Tube Spacing Speed Control Setting

| 24" | 27" | 30" | |
|-----------------|-----|-----|------|
| Pounds Per Acre | | | |
| 10 | 9 | 8 | 12.5 |
| 20 | 18 | 16 | 18.5 |
| 30 | 27 | 24 | 24.5 |
| 40 | 36 | 32 | 30.0 |
| 42 | 38 | 34 | 31.0 |
| 50 | 45 | 40 | 35.5 |
| 52 | 47 | 42 | 37.0 |
| 60 | 54 | 48 | 41.5 |
| 63 | 57 | 50 | 43.0 |

FLAX

Metering Wheels--Red--1 ¼"

Deflector or Tube Spacing Speed Control Setting

| 24" | 27" | 30" | |
|-----------------|-----|-----|------|
| Pounds Per Acre | | | |
| 27 | 25 | 22 | 12.5 |
| 30 | 27 | 24 | 13.5 |
| 40 | 36 | 32 | 17.0 |
| 45 | 41 | 36 | 18.5 |
| 50 | 45 | 40 | 20.0 |
| 60 | 54 | 48 | 22.5 |
| 67 | 61 | 54 | 24.5 |
| 70 | 63 | 56 | 25.5 |
| 80 | 72 | 64 | 28.0 |
| 90 | 81 | 72 | 30.0 |
| 93 | 84 | 74 | 31.0 |
| 100 | 90 | 80 | 32.5 |

SEED (32T Sprocket on Drive Wheel)

Gandy Orbit-Air® Implement Mounted
Standard Zeromax Settings for
8, 10, 21.9, & 33.5 cu. ft. Models

HYBRID PEARL MILLET

Agri Pro

Metering Wheels--Black--1 ¼"

Deflector or Tube Spacing Speed Control Setting

| 24" | 27" | 30" | |
|-----------------|------|------|----|
| Pounds Per Acre | | | |
| 7.3 | 6.5 | 5.8 | 5 |
| 8.9 | 7.9 | 7.1 | 6 |
| 10.5 | 9.3 | 8.4 | 7 |
| 12.1 | 10.8 | 9.7 | 8 |
| 13.9 | 12.4 | 11.1 | 9 |
| 15.6 | 13.8 | 12.4 | 10 |
| 17.4 | 15.5 | 14.0 | 11 |
| 19.3 | 17.2 | 15.5 | 12 |
| 21.2 | 18.8 | 17.0 | 13 |
| 23.1 | 20.5 | 18.5 | 14 |
| 25.0 | 22.2 | 20.0 | 15 |
| 26.8 | 23.8 | 21.4 | 16 |
| 28.6 | 25.4 | 22.9 | 17 |
| 30.4 | 27.0 | 24.3 | 18 |
| 33.6 | 29.8 | 26.9 | 19 |
| 35.4 | 31.5 | 28.4 | 20 |
| 37.7 | 33.5 | 30.1 | 21 |
| 39.9 | 35.4 | 31.9 | 22 |
| 42.1 | 37.4 | 33.7 | 23 |
| 46.1 | 41.0 | 36.9 | 24 |
| 48.4 | 43.0 | 38.7 | 25 |
| 51.1 | 45.4 | 40.9 | 26 |
| 53.8 | 47.8 | 43.0 | 27 |
| 56.5 | 50.2 | 45.2 | 28 |
| 60.2 | 53.5 | 48.1 | 29 |
| 62.9 | 55.9 | 50.3 | 30 |
| 65.9 | 58.6 | 52.7 | 31 |
| 68.9 | 61.2 | 55.1 | 32 |
| 71.8 | 63.8 | 57.5 | 33 |
| 76.7 | 68.2 | 61.4 | 34 |
| 79.7 | 70.9 | 63.8 | 35 |
| 83.4 | 74.1 | 66.7 | 36 |
| 87.0 | 77.3 | 69.6 | 37 |
| 90.6 | 80.5 | 72.5 | 38 |
| 93.5 | 83.1 | 74.8 | 39 |
| 97.1 | 86.3 | 77.7 | 40 |

MILO

S. Freisen

Metering Wheels--Red--1 ¼"--Meter Gates-- OPEN

Deflector or Tube Spacing Speed Con. Sett.

| 12" | 24" | 27" | 30" | |
|-----------------|-------|-------|-------|----|
| Pounds Per Acre | | | | |
| 25.4 | 12.7 | 11.3 | 10.1 | 5 |
| 31.2 | 15.6 | 13.9 | 12.5 | 6 |
| 37.1 | 18.6 | 16.5 | 14.9 | 7 |
| 43.0 | 21.5 | 19.1 | 17.2 | 8 |
| 49.9 | 25.0 | 22.2 | 20.0 | 9 |
| 55.9 | 28.0 | 24.9 | 22.4 | 10 |
| 62.3 | 31.1 | 27.7 | 24.9 | 11 |
| 68.6 | 34.3 | 30.5 | 27.4 | 12 |
| 75.0 | 37.5 | 33.3 | 30.0 | 13 |
| 82.0 | 41.0 | 36.5 | 32.8 | 14 |
| 88.4 | 44.2 | 39.3 | 35.4 | 15 |
| 95.6 | 47.8 | 42.5 | 38.2 | 16 |
| 102.7 | 51.4 | 45.7 | 41.1 | 17 |
| 109.9 | 54.9 | 48.8 | 43.9 | 18 |
| 117.8 | 58.9 | 52.3 | 47.1 | 19 |
| 125.0 | 62.5 | 55.5 | 50.0 | 20 |
| 132.8 | 66.4 | 59.0 | 53.1 | 21 |
| 140.6 | 70.3 | 62.5 | 56.2 | 22 |
| 148.4 | 74.2 | 65.9 | 59.3 | 23 |
| 156.3 | 78.2 | 69.5 | 62.5 | 24 |
| 164.1 | 82.1 | 73.0 | 65.7 | 25 |
| 172.9 | 86.5 | 76.9 | 69.2 | 26 |
| 181.7 | 90.9 | 80.8 | 72.7 | 27 |
| 190.5 | 95.2 | 84.7 | 76.2 | 28 |
| 197.8 | 98.9 | 87.9 | 79.1 | 29 |
| 206.5 | 103.3 | 91.8 | 82.6 | 30 |
| 216.8 | 108.4 | 96.3 | 86.7 | 31 |
| 227.0 | 113.5 | 100.9 | 90.8 | 32 |
| 237.2 | 118.6 | 105.4 | 94.9 | 33 |
| 248.2 | 124.1 | 110.3 | 99.3 | 34 |
| 258.5 | 129.2 | 114.9 | 103.4 | 35 |
| 268.0 | 134.0 | 119.1 | 107.2 | 36 |
| 277.6 | 138.8 | 123.4 | 111.0 | 37 |
| 287.2 | 143.6 | 127.6 | 114.9 | 38 |
| 295.2 | 147.6 | 131.2 | 118.1 | 39 |
| 304.7 | 152.4 | 135.4 | 121.9 | 40 |

SEED (32T Sprocket on Drive Wheel)

Gandy Orbit-Air® Implement Mounted
Standard Zeromax Settings for
8, 10, 21.9, & 33.5 cu. ft. Models

MILO

S. Freisen

Metering Wheels--Red--1 ¼"--Meter Gates--½ OPEN
Deflector or Tube Spacing Speed Con. Sett.

| 12" | 24" | 27" | 30" | |
|-----------------|-------|-------|------|----------|
| Pounds Per Acre | | | | |
| 18.7 | 9.3 | 8.3 | 7.5 | 5 |
| 23.3 | 11.7 | 10.4 | 9.3 | 6 |
| 27.9 | 14.0 | 12.4 | 11.2 | 7 |
| 32.5 | 16.3 | 14.4 | 13.0 | 8 |
| 38.5 | 19.3 | 17.1 | 15.4 | 9 |
| 43.3 | 21.6 | 19.2 | 17.3 | 10 |
| 48.6 | 24.3 | 21.6 | 19.4 | 11 |
| 53.8 | 26.9 | 23.9 | 21.5 | 12 |
| 59.1 | 29.6 | 26.3 | 23.9 | 13 |
| 62.7 | 31.3 | 27.9 | 25.1 | 14 |
| 67.8 | 33.9 | 30.1 | 27.1 | 15 |
| 73.3 | 36.7 | 32.6 | 29.3 | 16 |
| 78.8 | 39.4 | 35.0 | 31.5 | 17 |
| 84.3 | 42.1 | 37.5 | 33.7 | 18 |
| 91.4 | 45.7 | 40.6 | 36.6 | 19 |
| 97.0 | 48.5 | 43.1 | 38.8 | 20 |
| 103.0 | 51.5 | 45.8 | 41.2 | 21 |
| 108.9 | 54.5 | 48.4 | 43.6 | 22 |
| 114.9 | 57.4 | 51.0 | 45.9 | 23 |
| 120.7 | 60.3 | 53.6 | 48.3 | 24 |
| 126.6 | 63.3 | 56.3 | 50.7 | 25 |
| 133.5 | 66.7 | 59.3 | 53.4 | 26 |
| 140.3 | 70.2 | 62.4 | 56.1 | 27 |
| 147.2 | 73.6 | 65.5 | 58.9 | 28 |
| 153.3 | 76.7 | 68.1 | 61.3 | 29 |
| 160.1 | 80.1 | 71.2 | 64.0 | 30 |
| 167.5 | 83.8 | 74.5 | 67.0 | 31 |
| 174.9 | 87.5 | 77.8 | 70.0 | 32 |
| 182.4 | 91.2 | 81.0 | 72.9 | 33 |
| 189.2 | 94.6 | 84.1 | 75.7 | 34 |
| 196.6 | 98.3 | 87.4 | 78.7 | 35 |
| 204.8 | 102.4 | 91.0 | 81.9 | 36 |
| 213.0 | 106.5 | 94.7 | 85.2 | 37 |
| 221.2 | 110.6 | 98.3 | 88.5 | 38 |
| 228.5 | 114.3 | 101.6 | 91.4 | 39 |
| 236.7 | 118.3 | 105.2 | 94.7 | 40 |

MILO

S. Freisen

Metering Wheels-Black-1 ¼" Metering Gates-½ OPEN
Deflector or Tube Spacing Speed Con. Sett.

| 12" | 24" | 27" | 30" | |
|-----------------|------|------|------|----------|
| Pounds Per Acre | | | | |
| 3.8 | 1.9 | 1.7 | 1.5 | 5 |
| 4.6 | 2.3 | 2.1 | 1.8 | 6 |
| 5.4 | 2.7 | 2.4 | 2.2 | 7 |
| 6.2 | 3.1 | 2.7 | 2.5 | 8 |
| 6.8 | 3.4 | 3.0 | 2.7 | 9 |
| 7.5 | 3.8 | 3.3 | 3.0 | 10 |
| 8.7 | 4.3 | 3.9 | 3.5 | 11 |
| 9.9 | 4.9 | 4.4 | 3.9 | 12 |
| 11.1 | 5.5 | 4.9 | 4.4 | 13 |
| 12.5 | 6.3 | 5.6 | 5.0 | 14 |
| 13.7 | 6.9 | 6.1 | 5.5 | 15 |
| 14.8 | 7.4 | 6.6 | 5.9 | 16 |
| 15.9 | 7.9 | 7.1 | 6.4 | 17 |
| 17.0 | 8.5 | 7.5 | 6.8 | 18 |
| 17.9 | 9.0 | 8.0 | 7.2 | 19 |
| 19.0 | 9.5 | 8.4 | 7.6 | 20 |
| 20.2 | 10.1 | 9.0 | 8.1 | 21 |
| 21.4 | 10.7 | 9.5 | 8.5 | 22 |
| 22.6 | 11.3 | 10.0 | 9.0 | 23 |
| 23.5 | 11.8 | 10.4 | 9.4 | 24 |
| 24.7 | 12.3 | 11.0 | 9.9 | 25 |
| 26.2 | 13.1 | 11.6 | 10.5 | 26 |
| 27.6 | 13.8 | 12.3 | 11.1 | 27 |
| 29.1 | 14.6 | 12.9 | 11.6 | 28 |
| 31.4 | 15.7 | 13.9 | 12.5 | 29 |
| 32.9 | 16.4 | 14.6 | 13.2 | 30 |
| 34.2 | 17.1 | 15.2 | 13.7 | 31 |
| 35.5 | 17.7 | 15.8 | 14.2 | 32 |
| 36.8 | 18.4 | 16.4 | 14.7 | 33 |
| 37.4 | 18.7 | 16.6 | 14.9 | 34 |
| 38.6 | 19.3 | 17.2 | 15.5 | 35 |
| 40.4 | 20.2 | 18.0 | 16.2 | 36 |
| 42.2 | 21.1 | 18.7 | 16.9 | 37 |
| 44.0 | 22.0 | 19.5 | 17.6 | 38 |
| 45.0 | 22.5 | 20.0 | 18.0 | 39 |
| 46.7 | 23.4 | 20.8 | 18.7 | 40 |

SEED (327 Sprocket on Drive Wheel)

Gandy Orbit-Air® Implement Mounted
Standard Zeromax Settings for
8, 10, 21.9, & 33.5 cu. ft. Models

OATS

Metering Wheels--Red --1 ¼"

| <u>Deflector or Tube Spacing</u> | | | <u>Speed Control Setting</u> |
|----------------------------------|-----|-----|------------------------------|
| 24" | 27" | 30" | |
| Pounds Per Acre | | | |
| 22 | 20 | 18 | 12.5 |
| 30 | 27 | 24 | 15.0 |
| 40 | 35 | 32 | 18.5 |
| 50 | 45 | 40 | 22.5 |
| 57 | 52 | 46 | 24.5 |
| 60 | 54 | 48 | 25.5 |
| 70 | 63 | 56 | 29.0 |
| 78 | 70 | 62 | 31.0 |
| 90 | 81 | 72 | 34.0 |
| 100 | 90 | 80 | 36.0 |
| 104 | 94 | 83 | 37.0 |
| 110 | 99 | 88 | 38.5 |
| 120 | 108 | 96 | 40.5 |
| 130 | 117 | 104 | 43.0 |

OATS

Metering Wheels--Black --1 ¼"

| <u>Deflector or Tube Spacing</u> | | | <u>Speed Con. Sett.</u> |
|----------------------------------|-----|-----|-------------------------|
| 12" | 24" | 27" | 30" |
| Pounds Per Acre | | | |
| 40 | 20 | 18 | 16 |
| 50 | 25 | 23 | 20 |
| 60 | 30 | 27 | 24 |
| 70 | 35 | 32 | 28 |
| 80 | 40 | 36 | 32 |
| 84 | 42 | 38 | 34 |
| 90 | 45 | 41 | 36 |

SORGHUMUM-SUDAN

Metering Wheels--Black--1 ¼"

| <u>Deflector or Tube Spacing</u> | | | <u>Speed Control Setting</u> |
|----------------------------------|-----|-----|------------------------------|
| 24" | 27" | 30" | |
| Pounds Per Acre | | | |
| 10 | 9 | 8 | 6 |
| 15 | 14 | 12 | 8.5 |
| 17 | 16 | 14 | 10 |
| 22 | 20 | 18 | 12.5 |
| 27 | 25 | 22 | 15 |
| 34 | 31 | 27 | 18.5 |

SOYBEANS

Metering Wheels--White--1 ¼"

| <u>Deflector or Tube Spacing</u> | | | <u>Speed Control Setting</u> |
|----------------------------------|------|------|------------------------------|
| 24" | 27" | 30" | |
| Pounds Per Acre | | | |
| 30.3 | xx | xx | 16.0 |
| 38.0 | 33.8 | 30.4 | 17.0 |
| 40.1 | 35.6 | 32.1 | 18.0 |
| 42.2 | 37.5 | 33.8 | 18.5 |
| 44.3 | 39.4 | 35.5 | 19.5 |
| 45.4 | 40.3 | 36.3 | 20.0 |
| 47.5 | 42.2 | 38.0 | 21.0 |
| 49.6 | 44.1 | 39.7 | 21.5 |
| 51.7 | 46.0 | 41.4 | 22.0 |
| 53.8 | 47.8 | 43.1 | 23.0 |
| 55.9 | 49.7 | 44.7 | 23.5 |
| 58.0 | 51.6 | 46.4 | 24.0 |
| 61.2 | 54.4 | 49.0 | 25.0 |
| 62.3 | 55.3 | 49.8 | 25.5 |
| 65.4 | 58.2 | 52.3 | 26.0 |
| 70.1 | 62.3 | 56.1 | 27.0 |
| 72.3 | 64.3 | 57.9 | 27.5 |
| 74.5 | 66.2 | 59.6 | 28.0 |
| 76.7 | 68.2 | 61.4 | 29.0 |
| 78.9 | 70.1 | 63.1 | 29.5 |
| xx | 72.1 | 64.9 | 30.0 |
| xx | 75.0 | 67.5 | 31.0 |
| xx | 77.0 | 69.3 | 31.5 |
| xx | 78.9 | 71.0 | 32.0 |
| xx | xx | 73.6 | 33.0 |
| xx | xx | 75.4 | 33.5 |
| xx | xx | 77.1 | 34.0 |
| xx | xx | 78.9 | 35.0 |

SEED (32T Sprocket on Drive Wheel)

Gandy Orbit-Air* Implement Mounted
Standard Zeromax Settings for
8, 10, 21.9, & 33.5 cu. ft. Models

SUNWHEAT

Metering Wheels--White --1 ¼"

Deflector or Tube Spacing Speed Control Setting

| 24" | 27" | 30" | |
|-----------------|------|------|----|
| Pounds Per Acre | | | |
| 6.3 | 5.0 | 4.0 | 5 |
| 7.6 | 6.1 | 4.8 | 6 |
| 9.0 | 7.2 | 5.7 | 7 |
| 10.4 | 8.3 | 6.5 | 8 |
| 12.0 | 9.6 | 7.6 | 9 |
| 13.4 | 10.7 | 8.5 | 10 |
| 14.9 | 11.9 | 9.4 | 11 |
| 16.4 | 13.2 | 10.4 | 12 |
| 18.0 | 14.4 | 11.3 | 13 |
| 19.5 | 15.6 | 12.3 | 14 |
| 21.1 | 16.9 | 13.3 | 15 |
| 22.7 | 18.2 | 14.3 | 16 |
| 24.3 | 19.5 | 15.4 | 17 |
| 26.0 | 20.8 | 16.4 | 18 |
| 28.1 | 22.5 | 17.7 | 19 |
| 29.7 | 23.8 | 18.8 | 20 |
| 31.7 | 25.4 | 20.0 | 21 |
| 33.6 | 26.9 | 21.2 | 22 |
| 35.6 | 28.5 | 22.5 | 23 |
| 37.8 | 30.2 | 23.8 | 24 |
| 39.7 | 31.8 | 25.1 | 25 |
| 41.8 | 33.4 | 26.4 | 26 |
| 43.9 | 35.1 | 27.7 | 27 |
| 45.9 | 36.7 | 29.0 | 28 |
| 48.1 | 38.5 | 30.4 | 29 |
| 50.2 | 40.1 | 31.7 | 30 |
| 52.5 | 42.0 | 33.2 | 31 |
| 54.9 | 43.9 | 34.7 | 32 |
| 57.2 | 45.8 | 36.2 | 33 |
| 58.9 | 47.1 | 37.2 | 34 |
| 61.2 | 48.9 | 38.6 | 35 |
| 63.7 | 51.0 | 40.2 | 36 |
| 66.2 | 53.0 | 41.8 | 37 |
| 68.8 | 55.0 | 43.4 | 38 |
| 71.7 | 57.3 | 45.3 | 39 |
| 74.2 | 59.4 | 46.9 | 40 |

WHEAT

Metering Wheels--Black --1 ¼"

Deflector or Tube Spacing Speed Control Setting

| 24" | 27" | 30" | |
|-----------------|-----|-----|------|
| Pounds Per Acre | | | |
| 27 | 25 | 22 | 18.5 |
| 40 | 36 | 32 | 23.5 |
| 42 | 38 | 34 | 24.5 |
| 50 | 45 | 40 | 27.5 |
| 60 | 54 | 48 | 31.0 |
| 70 | 63 | 56 | 35.0 |
| 75 | 68 | 60 | 37.0 |
| 80 | 72 | 64 | 39.0 |
| 92 | 83 | 74 | 43.0 |

WHEAT

Metering Wheels--Red --1 ¼"

Deflector or Tube Spacing Speed Control Setting

| 24" | 27" | 30" | |
|-----------------|-----|-----|------|
| Pounds Per Acre | | | |
| 35 | 32 | 28 | 12.5 |
| 40 | 35 | 32 | 13.5 |
| 60 | 54 | 48 | 18.5 |
| 80 | 72 | 64 | 22.5 |
| 90 | 81 | 72 | 24.5 |
| 100 | 90 | 80 | 27 |
| 120 | 108 | 96 | 31 |
| 140 | 126 | 112 | 34.5 |
| 155 | 140 | 124 | 37 |
| 160 | 144 | 128 | 38 |
| 180 | 162 | 144 | 43 |

YELLOW MUSTARD

Metering Wheels--Black --1 ¼"

Deflector or Tube Spacing Speed Control Setting

| 24" | 27" | 30" | |
|-----------------|------|------|------|
| Pounds Per Acre | | | |
| 4.4 | xx | xx | 3.5 |
| 4.6 | 4.1 | xx | 4.0 |
| 5.3 | 4.7 | 4.2 | 5.0 |
| 6.6 | 5.9 | 5.3 | 6.0 |
| 7.3 | 6.5 | 5.8 | 6.5 |
| 8.6 | 7.7 | 6.9 | 7.5 |
| 10.0 | 8.9 | 8.0 | 8.5 |
| 10.6 | 9.4 | 8.5 | 9.0 |
| 12.0 | 10.6 | 9.6 | 9.5 |
| 12.6 | 11.2 | 10.1 | 10.0 |
| 13.3 | 11.8 | 10.6 | 11.0 |
| 14.5 | 12.9 | 11.6 | 11.5 |
| 15.2 | 13.5 | 12.1 | 12.0 |
| 16.4 | 14.6 | 13.2 | 13.0 |
| xx | 15.7 | 14.2 | 13.5 |
| xx | 16.3 | 14.7 | 14.0 |
| xx | xx | 15.7 | 15.0 |
| xx | xx | 16.7 | 15.5 |

YELLOW CLOVER

United Grain Growers

Metering Wheels--Black --1 ¼"

Deflector or Tube Spacing Speed Control Setting

| 24" | 27" | 30" | |
|-----------------|------|------|----|
| Pounds Per Acre | | | |
| 4.7 | 4.2 | 3.8 | 4 |
| 5.6 | 4.9 | 4.4 | 5 |
| 6.8 | 6.0 | 5.4 | 6 |
| 8.0 | 7.1 | 6.4 | 7 |
| 9.2 | 8.2 | 7.4 | 8 |
| 10.3 | 9.1 | 8.2 | 9 |
| 11.5 | 10.2 | 9.2 | 10 |
| 12.5 | 11.4 | 10.2 | 11 |
| xx | 12.5 | 11.2 | 12 |
| xx | xx | 12.3 | 13 |

WHITE RICE

Metering Wheels--Yellow--1 ¼"

| <u>Deflector or Tube Spacing</u> | | | <u>Speed Control Setting</u> |
|----------------------------------|-------|-------|------------------------------|
| 24" | 27" | 30" | |
| Pounds Per Acre | | | |
| 49.4 | xx | xx | 13.5 |
| 51.2 | xx | xx | 14.0 |
| 54.7 | 48.6 | xx | 15.0 |
| 58.3 | 51.8 | 46.3 | 15.5 |
| 64.1 | 57.0 | 51.3 | 16.0 |
| 67.9 | 60.4 | 54.3 | 17.0 |
| 71.7 | 63.7 | 57.3 | 18.0 |
| 75.5 | 67.1 | 60.4 | 18.5 |
| 79.2 | 70.4 | 63.4 | 19.5 |
| 81.1 | 72.1 | 64.9 | 20.0 |
| 84.9 | 75.5 | 67.9 | 21.0 |
| 88.7 | 78.8 | 70.9 | 21.5 |
| 92.4 | 82.2 | 73.9 | 22.0 |
| 96.2 | 85.5 | 77.0 | 23.0 |
| 100.0 | 88.9 | 80.0 | 23.5 |
| 103.7 | 92.2 | 83.0 | 24.0 |
| 108.2 | 96.2 | 86.5 | 25.0 |
| 110.0 | 97.8 | 88.0 | 25.5 |
| 115.6 | 102.8 | 92.5 | 26.0 |
| 119.4 | 106.1 | 95.5 | 27.0 |
| 123.1 | 109.4 | 98.5 | 27.5 |
| 126.8 | 112.7 | 101.5 | 28.0 |
| 130.6 | 116.1 | 104.5 | 29.0 |
| 134.3 | 119.4 | 107.4 | 29.5 |
| 138.0 | 122.7 | 110.4 | 30.0 |
| 143.6 | 127.7 | 114.9 | 31.0 |
| 147.4 | 131.0 | 117.9 | 31.5 |
| 153.5 | 136.5 | 122.8 | 32.0 |
| 159.2 | 141.5 | 127.4 | 33.0 |
| 163.0 | 144.9 | 130.4 | 33.5 |
| 166.8 | 148.2 | 133.4 | 34.0 |
| 170.6 | 151.6 | 136.5 | 35.0 |
| 176.3 | 156.7 | 141.0 | 35.5 |
| 181.9 | 161.7 | 145.6 | 36.0 |
| 185.7 | 165.1 | 148.6 | 37.0 |
| 191.4 | 170.1 | 153.1 | 37.5 |
| 197.1 | 175.2 | 157.7 | 38.0 |
| 198.5 | 176.4 | 158.8 | 39.0 |
| 204.1 | 181.4 | 163.3 | 39.5 |
| 207.8 | 184.7 | 166.3 | 40.0 |

FERTILIZER (327 Sprocket on Drive Wheel)

Gandy Orbit-Air® Implement Mounted
Standard Zeromax Settings for
8, 10, 21.9, & 33.5 cu. ft. Models

Fertilizer Rates in Pounds Per Acre at 24" Spacing Metering Wheel--BLACK--1 ¼"

| Zero Max Setting | Fertilizer Density in Pounds Per Cubic Foot | | | | | | | | | | | |
|------------------|---|----|-----|-----|-----|-----|-----|-----|-----|-----|-----|-----|
| | 48 | 50 | 52 | 54 | 56 | 58 | 60 | 62 | 64 | 66 | 68 | 70 |
| 10 | 11 | 12 | 12 | 13 | 14 | 15 | 15 | 16 | 17 | 18 | 18 | 19 |
| 12 | 15 | 16 | 17 | 18 | 19 | 20 | 21 | 21 | 22 | 23 | 24 | 25 |
| 14 | 19 | 20 | 21 | 22 | 24 | 25 | 26 | 27 | 28 | 29 | 30 | 31 |
| 16 | 23 | 24 | 26 | 27 | 28 | 30 | 31 | 32 | 34 | 35 | 36 | 38 |
| 18 | 27 | 29 | 30 | 32 | 33 | 35 | 36 | 38 | 39 | 41 | 42 | 44 |
| 20 | 31 | 33 | 34 | 36 | 38 | 40 | 41 | 43 | 45 | 47 | 48 | 50 |
| 22 | 37 | 39 | 41 | 43 | 44 | 46 | 48 | 50 | 52 | 54 | 56 | 58 |
| 24 | 43 | 45 | 47 | 49 | 51 | 53 | 55 | 57 | 59 | 61 | 63 | 65 |
| 26 | 49 | 51 | 53 | 55 | 58 | 60 | 62 | 64 | 66 | 68 | 71 | 73 |
| 28 | 55 | 57 | 60 | 62 | 64 | 67 | 69 | 71 | 73 | 76 | 78 | 80 |
| 30 | 61 | 63 | 66 | 68 | 71 | 73 | 76 | 78 | 81 | 83 | 86 | 88 |
| 32 | 68 | 71 | 73 | 76 | 78 | 81 | 84 | 86 | 89 | 91 | 94 | 97 |
| 34 | 75 | 78 | 80 | 83 | 86 | 89 | 91 | 94 | 97 | 100 | 102 | 105 |
| 36 | 82 | 85 | 88 | 91 | 94 | 96 | 99 | 102 | 105 | 108 | 111 | 114 |
| 38 | 89 | 92 | 95 | 98 | 101 | 104 | 107 | 110 | 113 | 116 | 119 | 122 |
| 40 | 96 | 99 | 102 | 106 | 109 | 112 | 115 | 118 | 121 | 125 | 128 | 131 |

Fertilizer Rates in Pounds Per Acre at 24" Spacing Metering Wheel--RED--1 ¼"

| Zero Max Setting | Fertilizer Density in Pounds Per Cubic Foot | | | | | | | | | | | |
|------------------|---|-----|-----|-----|-----|-----|-----|-----|-----|-----|-----|-----|
| | 48 | 50 | 52 | 54 | 56 | 58 | 60 | 62 | 64 | 66 | 68 | 70 |
| 10 | 20 | 21 | 23 | 24 | 25 | 26 | 28 | 29 | 30 | 31 | 33 | 34 |
| 12 | 27 | 29 | 30 | 32 | 34 | 35 | 37 | 39 | 40 | 42 | 43 | 45 |
| 14 | 34 | 36 | 38 | 40 | 42 | 44 | 46 | 48 | 50 | 52 | 54 | 56 |
| 16 | 42 | 44 | 46 | 49 | 51 | 53 | 55 | 58 | 60 | 62 | 65 | 67 |
| 18 | 49 | 51 | 54 | 57 | 59 | 62 | 65 | 67 | 70 | 73 | 75 | 78 |
| 20 | 56 | 59 | 62 | 65 | 68 | 71 | 74 | 77 | 80 | 83 | 86 | 89 |
| 22 | 66 | 70 | 73 | 77 | 80 | 83 | 87 | 90 | 93 | 97 | 100 | 104 |
| 24 | 77 | 81 | 84 | 88 | 92 | 96 | 99 | 103 | 107 | 111 | 114 | 118 |
| 26 | 87 | 91 | 95 | 100 | 104 | 108 | 112 | 116 | 120 | 125 | 129 | 133 |
| 28 | 98 | 102 | 107 | 111 | 116 | 120 | 125 | 129 | 134 | 138 | 143 | 147 |
| 30 | 108 | 113 | 118 | 123 | 128 | 133 | 137 | 142 | 147 | 152 | 157 | 162 |
| 32 | 122 | 127 | 132 | 138 | 143 | 148 | 154 | 159 | 164 | 170 | 175 | 180 |
| 34 | 135 | 141 | 147 | 153 | 158 | 164 | 170 | 176 | 181 | 187 | 193 | 199 |
| 36 | 149 | 155 | 161 | 167 | 174 | 180 | 186 | 192 | 199 | 205 | 211 | 217 |
| 38 | 162 | 169 | 176 | 182 | 189 | 196 | 202 | 209 | 216 | 222 | 229 | 236 |
| 40 | 176 | 183 | 190 | 197 | 204 | 211 | 219 | 226 | 233 | 240 | 247 | 254 |

FERTILIZER (327 Sprocket on Drive Wheel)

Gandy Orbit-Air® Implement Mounted
Standard Zeromax Settings for
8, 10, 21.9, & 33.5 cu. ft. Models

Fertilizer Rates in Pounds Per Acre at 24" Spacing Metering Wheel--YELLOW--1 ¼"

| | <u>Zero Max Setting</u> | <u>Fertilizer Density in Pounds Per Cubic Foot</u> | | | | | | | | | | |
|----|-------------------------|--|-----|-----|-----|-----|-----|-----|-----|-----|-----|-----|
| | | 48 | 50 | 52 | 54 | 56 | 58 | 60 | 62 | 64 | 66 | 68 |
| 10 | 36 | 38 | 40 | 42 | 44 | 46 | 49 | 51 | 53 | 55 | 57 | 59 |
| 12 | 49 | 51 | 54 | 57 | 59 | 62 | 65 | 68 | 70 | 73 | 76 | 78 |
| 14 | 62 | 65 | 68 | 71 | 75 | 78 | 81 | 84 | 88 | 91 | 94 | 97 |
| 16 | 74 | 78 | 82 | 86 | 90 | 94 | 97 | 101 | 105 | 109 | 113 | 117 |
| 18 | 87 | 92 | 96 | 100 | 105 | 109 | 114 | 118 | 123 | 127 | 131 | 136 |
| 20 | 100 | 105 | 110 | 115 | 120 | 125 | 130 | 135 | 140 | 145 | 150 | 155 |
| 22 | 119 | 124 | 130 | 136 | 141 | 147 | 153 | 158 | 164 | 170 | 175 | 181 |
| 24 | 138 | 144 | 150 | 157 | 163 | 169 | 175 | 182 | 188 | 194 | 201 | 207 |
| 26 | 156 | 163 | 170 | 177 | 184 | 191 | 198 | 205 | 212 | 219 | 226 | 233 |
| 28 | 175 | 183 | 190 | 198 | 206 | 213 | 221 | 229 | 236 | 244 | 251 | 259 |
| 30 | 194 | 202 | 211 | 219 | 227 | 235 | 244 | 252 | 260 | 268 | 277 | 285 |
| 32 | 217 | 226 | 235 | 244 | 253 | 261 | 270 | 279 | 288 | 297 | 306 | 314 |
| 34 | 241 | 250 | 260 | 269 | 278 | 288 | 297 | 306 | 316 | 325 | 334 | 344 |
| 36 | 264 | 274 | 284 | 294 | 304 | 314 | 324 | 334 | 343 | 353 | 363 | 373 |
| 38 | 288 | 298 | 309 | 319 | 329 | 340 | 350 | 361 | 371 | 382 | 392 | 403 |
| 40 | 311 | 322 | 333 | 344 | 355 | 366 | 377 | 388 | 399 | 410 | 421 | 432 |

Fertilizer Rates in Pounds Per Acre at 27" Spacing Metering Wheel--BLACK--1 ¼"

| | <u>Zero Max Setting</u> | <u>Fertilizer Density in Pounds Per Cubic Foot</u> | | | | | | | | | | |
|----|-------------------------|--|----|----|----|-----|-----|-----|-----|-----|-----|-----|
| | | 48 | 50 | 52 | 54 | 56 | 58 | 60 | 62 | 64 | 66 | 68 |
| 10 | 10 | 11 | 11 | 12 | 13 | 13 | 14 | 14 | 15 | 16 | 16 | 17 |
| 12 | 14 | 14 | 15 | 16 | 17 | 18 | 18 | 19 | 20 | 21 | 22 | 22 |
| 14 | 17 | 18 | 19 | 20 | 21 | 22 | 23 | 24 | 25 | 26 | 27 | 28 |
| 16 | 21 | 22 | 23 | 24 | 25 | 26 | 28 | 29 | 30 | 31 | 32 | 33 |
| 18 | 24 | 26 | 27 | 28 | 30 | 31 | 32 | 33 | 35 | 36 | 37 | 39 |
| 20 | 28 | 29 | 31 | 32 | 34 | 35 | 37 | 38 | 40 | 41 | 43 | 44 |
| 22 | 33 | 35 | 36 | 38 | 40 | 41 | 43 | 44 | 46 | 48 | 49 | 51 |
| 24 | 38 | 40 | 42 | 44 | 45 | 47 | 49 | 51 | 52 | 54 | 56 | 58 |
| 26 | 44 | 45 | 47 | 49 | 51 | 53 | 55 | 57 | 59 | 61 | 63 | 64 |
| 28 | 49 | 51 | 53 | 55 | 57 | 59 | 61 | 63 | 65 | 67 | 69 | 71 |
| 30 | 54 | 56 | 58 | 61 | 63 | 65 | 67 | 69 | 71 | 74 | 76 | 78 |
| 32 | 60 | 63 | 65 | 67 | 70 | 72 | 74 | 77 | 79 | 81 | 83 | 86 |
| 34 | 67 | 69 | 72 | 74 | 77 | 79 | 81 | 84 | 86 | 89 | 91 | 94 |
| 36 | 73 | 76 | 78 | 81 | 83 | 86 | 89 | 91 | 94 | 96 | 99 | 101 |
| 38 | 80 | 82 | 85 | 88 | 90 | 93 | 96 | 98 | 101 | 104 | 107 | 109 |
| 40 | 86 | 89 | 92 | 94 | 97 | 100 | 103 | 106 | 109 | 111 | 114 | 117 |

FERTILIZER (32T Sprocket on Drive Wheel)

Gandy Orbit-Air® Implement Mounted
Standard Zeromax Settings for
8, 10, 21.9, & 33.5 cu. ft. Models

Rates in Pounds Per Acre at 27" Spacing Metering Wheel--RED--1 ¼"

| | <u>Zero Max Setting</u> | <u>Fertilizer Density in Pounds Per Cubic Foot</u> | | | | | | | | | | |
|----|-------------------------|--|-----|-----|-----|-----|-----|-----|-----|-----|-----|-----|
| | | 48 | 50 | 52 | 54 | 56 | 58 | 60 | 62 | 64 | 66 | 68 |
| 10 | 18 | 19 | 20 | 21 | 22 | 23 | 25 | 26 | 27 | 28 | 29 | 30 |
| 12 | 24 | 26 | 27 | 29 | 30 | 31 | 33 | 34 | 36 | 37 | 38 | 40 |
| 14 | 31 | 33 | 34 | 36 | 38 | 39 | 41 | 43 | 44 | 46 | 48 | 50 |
| 16 | 37 | 39 | 41 | 43 | 45 | 47 | 49 | 51 | 53 | 55 | 57 | 59 |
| 18 | 44 | 46 | 48 | 51 | 53 | 55 | 58 | 60 | 62 | 65 | 67 | 69 |
| 20 | 50 | 53 | 55 | 58 | 61 | 63 | 66 | 68 | 71 | 74 | 76 | 79 |
| 22 | 59 | 62 | 65 | 68 | 71 | 74 | 77 | 80 | 83 | 86 | 89 | 92 |
| 24 | 68 | 72 | 75 | 78 | 82 | 85 | 88 | 92 | 95 | 98 | 102 | 105 |
| 26 | 78 | 81 | 85 | 89 | 92 | 96 | 100 | 103 | 107 | 111 | 114 | 118 |
| 28 | 87 | 91 | 95 | 99 | 103 | 107 | 111 | 115 | 119 | 123 | 127 | 131 |
| 30 | 96 | 100 | 105 | 109 | 113 | 118 | 122 | 127 | 131 | 135 | 140 | 144 |
| 32 | 108 | 113 | 118 | 122 | 127 | 132 | 137 | 141 | 146 | 151 | 156 | 160 |
| 34 | 120 | 126 | 131 | 136 | 141 | 146 | 151 | 156 | 161 | 167 | 172 | 177 |
| 36 | 133 | 138 | 144 | 149 | 155 | 160 | 166 | 171 | 177 | 182 | 188 | 193 |
| 38 | 145 | 151 | 157 | 162 | 168 | 174 | 180 | 186 | 192 | 198 | 204 | 210 |
| 40 | 157 | 163 | 170 | 176 | 182 | 188 | 195 | 201 | 207 | 213 | 220 | 226 |

Fertilizer Rates in Pounds Per Acre at 27" Spacing Metering Wheel--YELLOW-1 ¼"

| | <u>Zero Max Setting</u> | <u>Fertilizer Density in Pounds Per Cubic Foot</u> | | | | | | | | | | |
|----|-------------------------|--|-----|-----|-----|-----|-----|-----|-----|-----|-----|-----|
| | | 48 | 50 | 52 | 54 | 56 | 58 | 60 | 62 | 64 | 66 | 68 |
| 10 | 32 | 34 | 36 | 37 | 39 | 41 | 43 | 45 | 47 | 48 | 50 | 52 |
| 12 | 43 | 46 | 48 | 50 | 53 | 55 | 57 | 60 | 62 | 65 | 67 | 69 |
| 14 | 55 | 58 | 61 | 63 | 66 | 69 | 72 | 75 | 78 | 81 | 84 | 86 |
| 16 | 66 | 70 | 73 | 76 | 80 | 83 | 87 | 90 | 93 | 97 | 100 | 104 |
| 18 | 78 | 82 | 85 | 89 | 93 | 97 | 101 | 105 | 109 | 113 | 117 | 121 |
| 20 | 89 | 93 | 98 | 102 | 107 | 111 | 116 | 120 | 125 | 129 | 134 | 138 |
| 22 | 106 | 111 | 116 | 121 | 126 | 131 | 136 | 141 | 146 | 151 | 156 | 161 |
| 24 | 122 | 128 | 133 | 139 | 145 | 150 | 156 | 162 | 167 | 173 | 178 | 184 |
| 26 | 139 | 145 | 151 | 157 | 164 | 170 | 176 | 182 | 188 | 195 | 201 | 207 |
| 28 | 155 | 162 | 169 | 176 | 183 | 189 | 196 | 203 | 210 | 216 | 223 | 230 |
| 30 | 172 | 179 | 187 | 194 | 201 | 209 | 216 | 224 | 231 | 238 | 246 | 253 |
| 32 | 193 | 201 | 209 | 217 | 224 | 232 | 240 | 248 | 256 | 264 | 271 | 279 |
| 34 | 214 | 222 | 231 | 239 | 247 | 256 | 264 | 272 | 280 | 289 | 297 | 305 |
| 36 | 235 | 244 | 253 | 261 | 270 | 279 | 288 | 296 | 305 | 314 | 323 | 332 |
| 38 | 256 | 265 | 275 | 284 | 293 | 302 | 312 | 321 | 330 | 339 | 349 | 358 |
| 40 | 277 | 287 | 296 | 306 | 316 | 326 | 335 | 345 | 355 | 365 | 374 | 384 |

FERTILIZER (327 Sprocket on Drive Wheel)

Gandy Orbit-Air® Implement Mounted
Standard Zeromax Settings for
8, 10, 21.9, & 33.5 cu. ft. Models

Fertilizer Rates in Pounds Per Acre at 30" Spacing Metering Wheel--BLACK--1 ¼"

| <u>Zero Max Setting</u> | <u>Fertilizer Density in Pounds Per Cubic Foot</u> | | | | | | | | | | | |
|-------------------------|--|----|----|----|----|----|----|----|----|-----|-----|-----|
| | 48 | 50 | 52 | 54 | 56 | 58 | 60 | 62 | 64 | 66 | 68 | 70 |
| 10 | 9 | 10 | 10 | 11 | 11 | 12 | 12 | 13 | 13 | 14 | 14 | 15 |
| 12 | 12 | 13 | 14 | 14 | 15 | 16 | 16 | 17 | 18 | 19 | 19 | 20 |
| 14 | 15 | 16 | 17 | 18 | 19 | 20 | 21 | 22 | 22 | 23 | 24 | 25 |
| 16 | 19 | 20 | 21 | 22 | 23 | 24 | 25 | 26 | 27 | 28 | 29 | 30 |
| 18 | 22 | 23 | 24 | 25 | 27 | 28 | 29 | 30 | 31 | 33 | 34 | 35 |
| 20 | 25 | 26 | 28 | 29 | 30 | 32 | 33 | 35 | 36 | 37 | 39 | 40 |
| 22 | 30 | 31 | 33 | 34 | 36 | 37 | 39 | 40 | 42 | 43 | 45 | 46 |
| 24 | 35 | 36 | 38 | 39 | 41 | 43 | 44 | 46 | 47 | 49 | 50 | 52 |
| 26 | 39 | 41 | 43 | 44 | 46 | 48 | 50 | 51 | 53 | 55 | 56 | 58 |
| 28 | 44 | 46 | 48 | 50 | 51 | 53 | 55 | 57 | 59 | 60 | 62 | 64 |
| 30 | 49 | 51 | 53 | 55 | 57 | 59 | 60 | 62 | 64 | 66 | 68 | 70 |
| 32 | 55 | 57 | 59 | 61 | 63 | 65 | 67 | 69 | 71 | 73 | 75 | 77 |
| 34 | 60 | 62 | 65 | 67 | 69 | 71 | 73 | 75 | 78 | 80 | 82 | 84 |
| 36 | 66 | 68 | 70 | 73 | 75 | 77 | 80 | 82 | 84 | 86 | 89 | 91 |
| 38 | 71 | 74 | 76 | 79 | 81 | 83 | 86 | 88 | 91 | 93 | 96 | 98 |
| 40 | 77 | 80 | 82 | 85 | 87 | 90 | 92 | 95 | 97 | 100 | 102 | 105 |

Fertilizer Rates in Pounds Per Acre at 30" Spacing Metering Wheel--RED--1 ¼"

| <u>Zero Max Setting</u> | <u>Fertilizer Density in Pounds Per Cubic Foot</u> | | | | | | | | | | | |
|-------------------------|--|-----|-----|-----|-----|-----|-----|-----|-----|-----|-----|-----|
| | 48 | 50 | 52 | 54 | 56 | 58 | 60 | 62 | 64 | 66 | 68 | 70 |
| 10 | 16 | 17 | 18 | 19 | 20 | 21 | 22 | 23 | 24 | 25 | 26 | 27 |
| 12 | 22 | 23 | 24 | 26 | 27 | 28 | 29 | 31 | 32 | 33 | 35 | 36 |
| 14 | 28 | 29 | 31 | 32 | 34 | 35 | 37 | 38 | 40 | 42 | 43 | 45 |
| 16 | 33 | 35 | 37 | 39 | 41 | 42 | 44 | 46 | 48 | 50 | 52 | 53 |
| 18 | 39 | 41 | 43 | 45 | 48 | 50 | 52 | 54 | 56 | 58 | 60 | 62 |
| 20 | 45 | 47 | 50 | 52 | 54 | 57 | 59 | 62 | 64 | 66 | 69 | 71 |
| 22 | 53 | 56 | 59 | 61 | 64 | 67 | 69 | 72 | 75 | 77 | 80 | 83 |
| 24 | 61 | 64 | 67 | 70 | 73 | 76 | 80 | 83 | 86 | 89 | 92 | 95 |
| 26 | 70 | 73 | 76 | 80 | 83 | 86 | 90 | 93 | 96 | 100 | 103 | 106 |
| 28 | 78 | 81 | 85 | 89 | 92 | 96 | 100 | 104 | 107 | 111 | 115 | 118 |
| 30 | 86 | 90 | 94 | 98 | 102 | 106 | 110 | 114 | 118 | 122 | 126 | 130 |
| 32 | 97 | 101 | 106 | 110 | 114 | 119 | 123 | 127 | 132 | 136 | 140 | 145 |
| 34 | 108 | 113 | 117 | 122 | 127 | 131 | 136 | 141 | 145 | 150 | 155 | 159 |
| 36 | 119 | 124 | 129 | 134 | 139 | 144 | 149 | 154 | 159 | 164 | 169 | 174 |
| 38 | 130 | 135 | 141 | 146 | 151 | 157 | 162 | 167 | 172 | 178 | 183 | 188 |
| 40 | 141 | 147 | 152 | 158 | 164 | 169 | 175 | 180 | 186 | 192 | 197 | 203 |

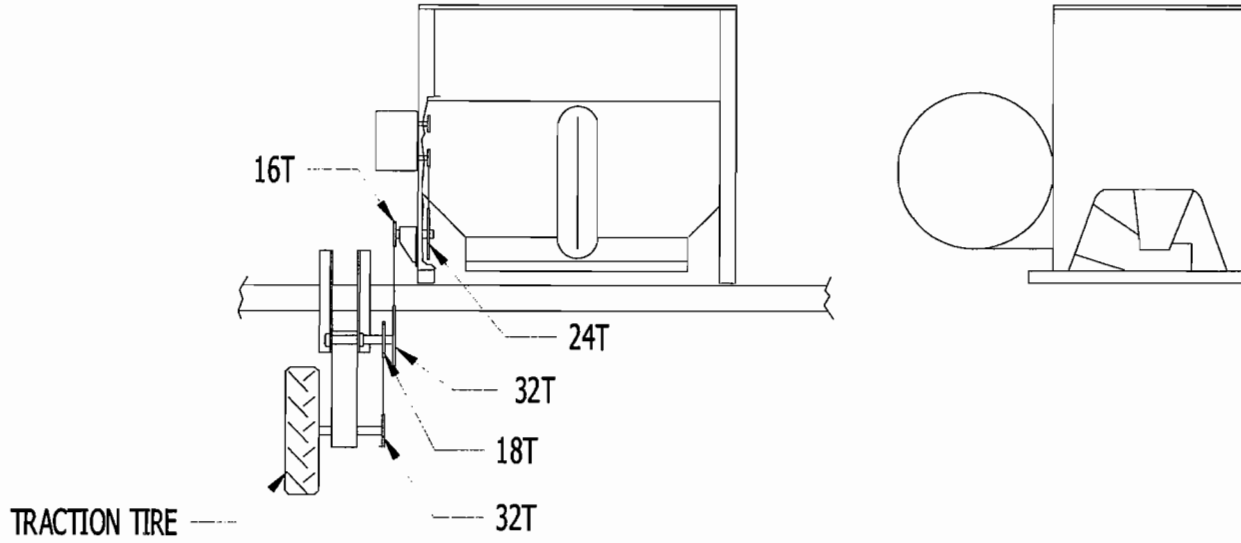
FERTILIZER (327 Sprocket on Drive Wheel)

Gandy Orbit-Air® Implement Mounted
Standard Zeromax Settings for
8, 10, 21.9, & 33.5 cu. ft. Models

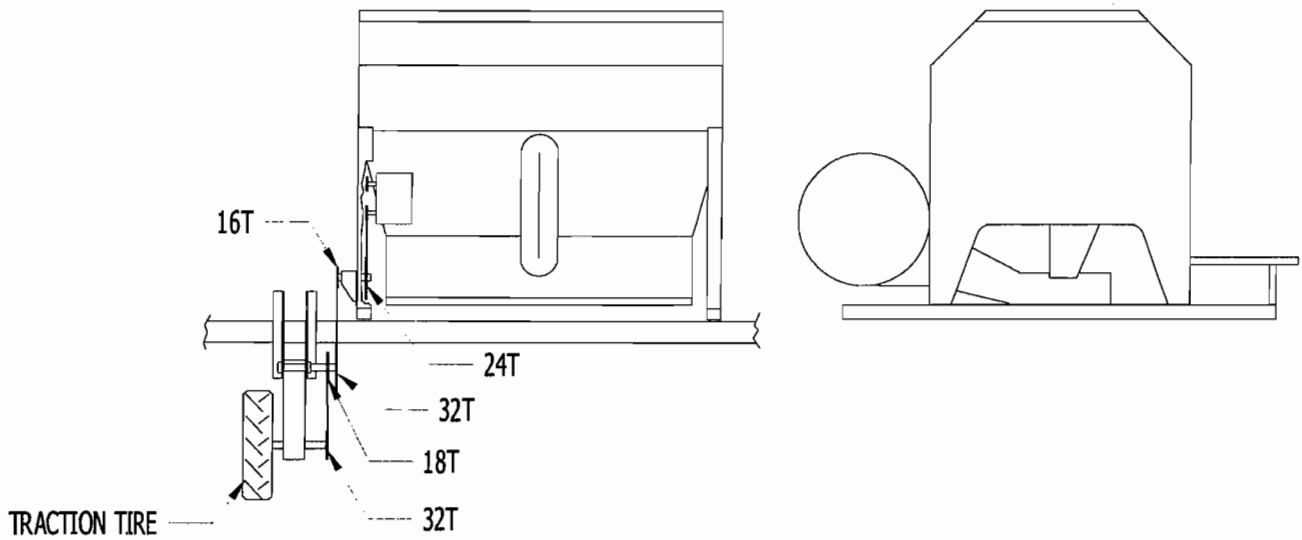
Fertilizer Rates in Pounds Per Acre at 30" Spacing
Metering Wheel--YELLOW--1 ¼"

| | <u>Zero Max Setting</u> | <u>Fertilizer Density in Pounds Per Cubic Foot</u> | | | | | | | | | | |
|----|-------------------------|--|-----|-----|-----|-----|-----|-----|-----|-----|-----|-----|
| | | 48 | 50 | 52 | 54 | 56 | 58 | 60 | 62 | 64 | 66 | 68 |
| 10 | 29 | 31 | 32 | 34 | 36 | 37 | 39 | 40 | 42 | 44 | 45 | 47 |
| 12 | 39 | 41 | 43 | 46 | 48 | 50 | 52 | 54 | 56 | 58 | 60 | 62 |
| 14 | 49 | 52 | 55 | 57 | 60 | 62 | 65 | 67 | 70 | 73 | 75 | 78 |
| 16 | 60 | 63 | 66 | 69 | 72 | 75 | 78 | 81 | 84 | 87 | 90 | 93 |
| 18 | 70 | 73 | 77 | 80 | 84 | 87 | 91 | 94 | 98 | 102 | 105 | 109 |
| 20 | 80 | 84 | 88 | 92 | 96 | 100 | 104 | 108 | 112 | 116 | 120 | 124 |
| 22 | 95 | 100 | 104 | 109 | 113 | 118 | 122 | 127 | 131 | 136 | 140 | 145 |
| 24 | 110 | 115 | 120 | 125 | 130 | 135 | 140 | 145 | 150 | 155 | 161 | 166 |
| 26 | 125 | 131 | 136 | 142 | 147 | 153 | 158 | 164 | 170 | 175 | 181 | 186 |
| 28 | 140 | 146 | 152 | 158 | 164 | 171 | 177 | 183 | 189 | 195 | 201 | 207 |
| 30 | 155 | 162 | 168 | 175 | 182 | 188 | 195 | 201 | 208 | 215 | 221 | 228 |
| 32 | 174 | 181 | 188 | 195 | 202 | 209 | 216 | 223 | 230 | 237 | 245 | 252 |
| 34 | 193 | 200 | 208 | 215 | 223 | 230 | 238 | 245 | 253 | 260 | 268 | 275 |
| 36 | 211 | 219 | 227 | 235 | 243 | 251 | 259 | 267 | 275 | 283 | 291 | 299 |
| 38 | 230 | 239 | 247 | 255 | 264 | 272 | 280 | 289 | 297 | 306 | 314 | 322 |
| 40 | 249 | 258 | 267 | 275 | 284 | 293 | 302 | 311 | 320 | 328 | 337 | 346 |

Configuration of 8 & 10 cubic foot hoppers and drives.



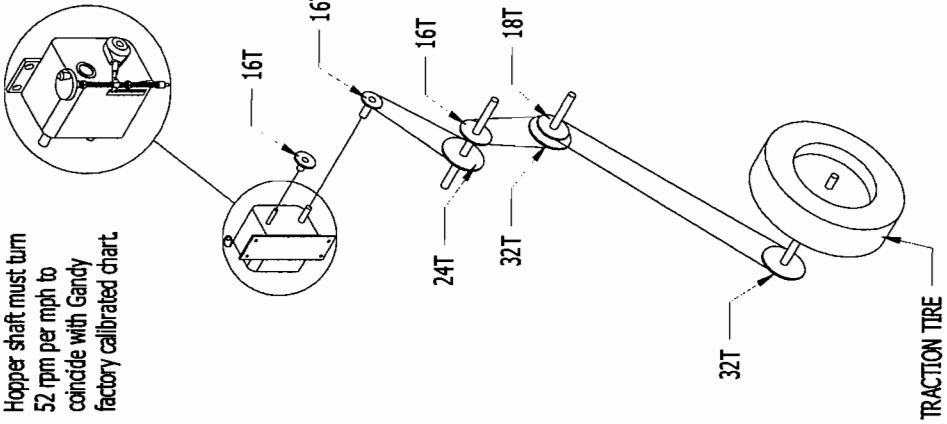
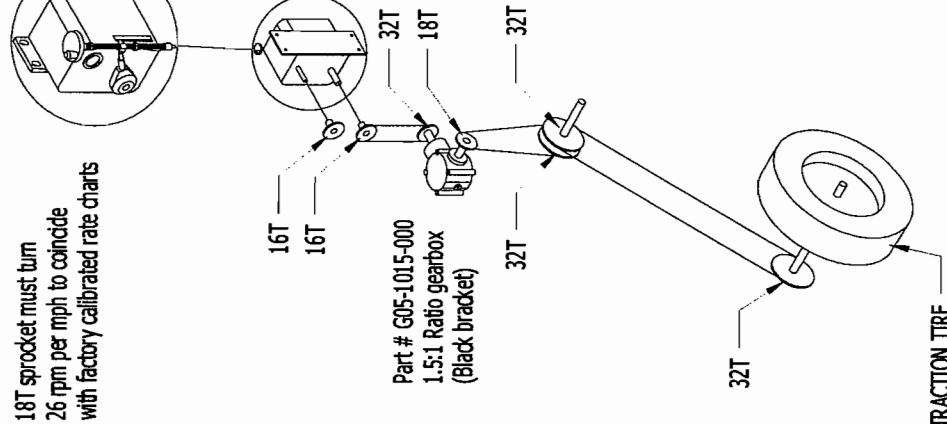
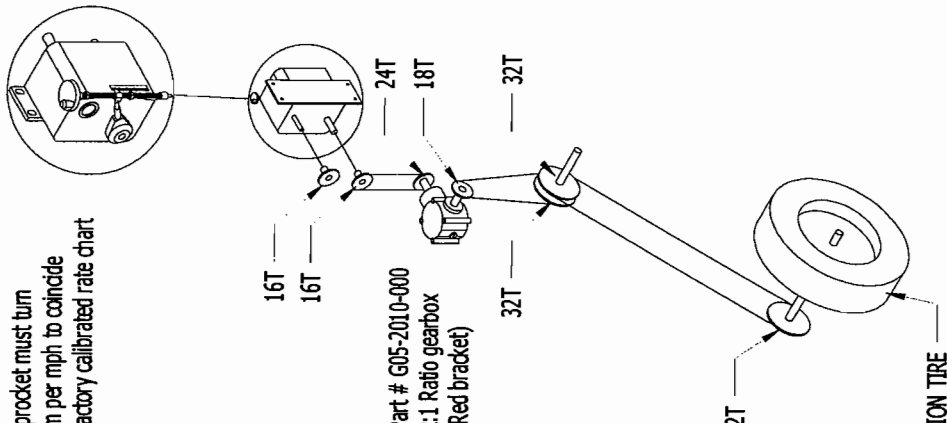
Configuration of 21.9 & 30 cubic foot hoppers and drives.



Gandy Implement Mounted Orbit-Air Applicator

Sprocket Combinations

By Model and Gear Box

| | | |
|--|---|---|
| <p>Orbit-Air 62AN12, 6210, 6212, 62AN18 6216, 6216-S, 6216-D, 62BN24 Sprocket Configuration</p> <p>Hopper shaft must turn 52 rpm per mph to coincide with Gandy factory calibrated chart</p>  | <p>Orbit-Air 6224 Sprocket Configuration with 1.5:1 output to input ratio gearbox (black bracket)</p> <p>18T sprocket must turn 26 rpm per mph to coincide with factory calibrated rate charts</p>  <p style="text-align: center;">Part # G05-1015-000 1.5:1 Ratio gearbox (Black bracket)</p> | <p>Orbit-Air 6224 Sprocket Configuration with 2:1 output to input ratio gearbox (red bracket)</p> <p>18T sprocket must turn 26 rpm per mph to coincide with factory calibrated rate chart</p>  <p style="text-align: center;">Part # G05-2010-000 2:1 Ratio gearbox (Red bracket)</p> |
|--|---|---|

SPC-A
2/4/05

* If using your own drive, you must match these input RPM's per mile per hour or create your own rate control chart which can be done by following the field calibration procedure on the cover of this booklet.